

R-EX 2 Electric Reach Forklift Series



■ R1.25EX 2, R1.50EX 2, R1.80EX 2, R1.50EX W2, R1.80EX W2 ■ 1,250 – 1,800kg



Hyster® Quality

The Hyster R-EX 2 Electric Reach Forklift supports our customers by providing greater efficiency in logistic operations. Boasting an enhanced design, the R-EX 2 has an improved turning radius, mast structure and layout to improve productivity and operator comfort.

As you would expect from Hyster the R-EX 2 Electric Reach Forklift has the following benefits:

- Small turn radius control
- Low vibration suspension system
- Improved right-angle stacking
- Ergonomic cabin and controls
- Easy to service with removable components and quick battery access
- Backed by an extensive dealer network
- Aftermarket service and support

These features along with energy saving, high efficiency parts optimise the R-EX 2 Reach Forklift for a range of material handling operations.



■ Travel & load handling interlock

Travel and load handling operations are locked (disabled) when the operator leaves the operator compartment.



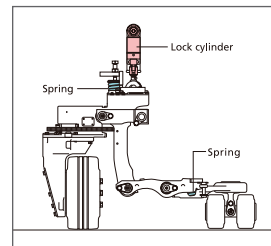
■ Surround cockpit

A round shaped operator space wraps flexibly around the operator while maintaining the easy-to-operate lever type layout.



■ Low vibration suspension system

The R-EX 2 models have adopted a parallel link structure, minimising uncomfortable vibrations from the floor surface. A suspension lock mechanism has been added to improve stability during turning and load handling improving comfort and safety.



■ Front wheel brake anti-skid control*

The front wheel brakes come to assist if the drive tyres slip. This control prevents the tyres from being locked and provides maximum brake force.



■ Anti-rollback & descent control

The anti-rollback mechanism, prevents the forklift from rolling back when starting from a stop.



* Optional Features

Hyster® R-EX 2 Electric Reach Truck Features



■ Visor-integrated display

EA visor has been added to the top of the display to prevent reflected glare and improve visibility.

■ Speed reduction on cornering

Acceleration is restricted while the forklift is turning preventing hazardous situations such as rollover. As unnecessary acceleration is prevented this also contributes to energy conservation.



■ High back support*

A high back support helps to support the shoulders from the sides. Support during switchbacks from reverse to forward is provided and fatigue during normal operation is reduced.



■ Lowered floor

Low 250mm floor height (35mm lower than previous models) helps reduce operator fatigue in work with frequent on-off application.



Specifications R-EX 2 Series

Characteristics	1	Manufacturer		HYSTER	HYSTER	HYSTER	HYSTER	HYSTER	
	2	Model		R1.25EX 2	R1.50EX 2	R1.80EX 2	R1.50EX W2	R1.80EX W2	
	3	Load Capacity	kg	1250	1500	1800	1500	1800	
	4	Load Centre	mm	500	500	500	500	500	
	5	Motor Type	DC/AC, Open/Enclosed	IPM, Enclosed, AC, Open	IPM/Enclosed, AC/Open	IPM/Enclosed, AC/Open	IPM/Enclosed, AC/Open	IPM/Enclosed, AC/Open	
	6	Operation	Stand/Seat	Stand	Stand	Stand	Stand	Stand	
Dimensions	7	Lift Height	h3	mm	3000	3000	3000	4000	4000
	8	Free Lift	h2	mm	113	113	113	995	995
	9	Tilting Fork Carriage (Forward/Backward Tilt)	β/α	deg	5/3	5/3	5/3	5/3	5/3
	10	Fork Carriage			Pin Type	Pin Type	Pin Type	Pin Type	Pin Type
	11	Fork (Length/Width/Thickness)	L/W/T	mm	850/100/35	920/100/35	920/100/35	920/100/35	920/100/35
	12	Fork Carriage Width (Max./Min.)	B3/B4	mm	725/290	725/290	725/290	825/290	825/290
	13	Overall Length	L1	mm	1920	2080	2080	2145	2145
		Length over Load Arms	L	mm	1630	1720	1895	1895	1895
	14	Length to Face of Forks	L2	mm	1070	1160	1160	1225	1225
	15	Reach Stroke	X1	mm	595	595	770	705	705
	16	Overall Width	B	mm	1090	1090	1090	1190	1190
	17	Width in Outtrigger	B1	mm	820	820	820	920	920
	18	Frame Width	B2	mm	1090	1090	1090	1190	1190
	19	Height Outtrigger	h6	mm	260	260	260	260	260
	20	Height of Mast, Lowered	h1	mm	1995	1995	1995	1895	1895
	21	Height of Mast, Extended	h4	mm	3935	3935	3935	4925	4925
22	Overhead Guard Height	h5	mm	2240	2240	2240	2240	2240	
23	Load Distance	X	mm	420	420	595	530	530	
24	Turning Radius	R	mm	1495	1580	1755	1755	1755	
25	Aisle Width	L 1100 x W 1100 pallet	mm	1850	1900	2010	2040	2060	
26	Aisle Width with Pallet	As (L 1100 x W 1100 pallet)	mm	2520	2600	2600	2670	2670	
Performance	27	Travel Speed	Laden/Unladen	km/h	9.5/11.0	9.0/10.5	9.0/10.5	9.0/10.5	9.0/10.5
	28	Lifting Speed	Laden/Unladen	mm/s	340/560	310/560	280/560	280/470	250/450
	29	Lowering Speed	Laden/Unladen	mm/s	500/560	540/560	560/560	540/560	560/560
	30	Reach Speed	With/Without Load	mm/s	245/245	245/245	245/245	245/245	245/245
	31	Gradeability - 3 min rating or 1.5km/h	Laden/Unladen	%	14/22	13/22	12/21	13/22	12/21
Weight	32	Weight	Standard Battery	kg	2095	2230	2315	2335	2435
	33	Axle Loads - Reach In	Laden (Front/Rear)	kg	2010/1330	2330/1400	2375/1740	2225/1615	2545/1690
		Axle Loads - Reach In	Unladen (Front/Rear)	kg	680/1415	735/1490	680/1635	750/1590	770/1665
		Axle Loads - Reach Out	Laden (Front/Rear)	kg	2860/480	3240/485	3570/545	3240/600	3695/535
		Axle Loads - Reach	Unladen (Front/Rear)	kg	935/1160	980/1245	960/1355	1065/1275	1085/1350
Wheels and Tyres	34	Tyres	Front/Drive/Caster		2/1/2	2/1/2	2/1/2	2/1/2	2/1/2
	35	Tyre/Sizes	Front	\varnothing 255 x 114 Rubber	\varnothing 254 x 102 Urethane	\varnothing 254 x 102 Urethane	\varnothing 254 x 102 Urethane	\varnothing 254 x 102 Urethane	
			Drive	\varnothing 330 x 145 Rubber	\varnothing 330 x 145 Rubber	\varnothing 330 x 145 Rubber	\varnothing 330 x 145 Rubber	\varnothing 330 x 145 Rubber	
			Caster	\varnothing 150 x 80 Rubber	\varnothing 150 x 80 Rubber	\varnothing 150 x 80 Rubber	\varnothing 150 x 80 Rubber	\varnothing 150 x 80 Rubber	
	36	Wheelbase	L3	mm	1250	1340	1515	1515	1515
	37	Tread	Front	mm	980	990	990	1090	1090
			Rear	mm	640	640	640	640	640
	38	Ground Clearance	At Lowest Point (m2)	mm	70	70	70	70	70
			Mechanical/Hydraulic/electric/pneumatic		Mechanical	Mechanical	Mechanical	Mechanical	Mechanical
			Foot/Hand/Deadman Brake		Deadman	Deadman	Deadman	Deadman	Deadman
Motor	39	Battery	Volt/Amp.h. (cap. @ 5h rating)	V/Ah	48/201	48/280	48/280	48/280	48/280
			Weight	kg	355	465	465	465	465
	40	Drive Motor	Rated output (60 min rating)	kW	4.5	4.5	4.5	4.5	4.5
			Control Method		FET inverter	FET inverter	FET inverter	FET inverter	FET inverter
	41	Hoist Motor	Rated output (5 min rating)	kW	9.6	9.6	9.6	9.6	9.6
			Control Method		FET inverter	FET inverter	FET inverter	FET inverter	FET inverter
	42	Steering Motor	Rated output (60 min rating)	kW	0.3	0.3	0.3	0.3	0.3
		Control Method		FET Chopper	FET Chopper	FET Chopper	FET Chopper	FET Chopper	
43	Working Pressure	For Attachments	Mpa	17.2-17.7	17.2-17.7	17.2-17.7	17.2-17.7	17.2-17.7	

Specifications R-EX 2 Series

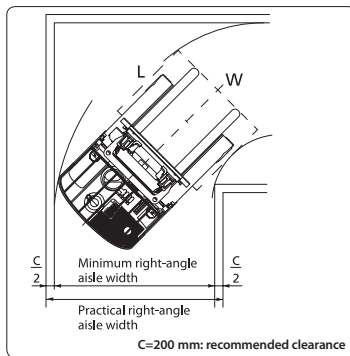


Aisle Width (unit: mm) Pallet length: L/Pallet width: W

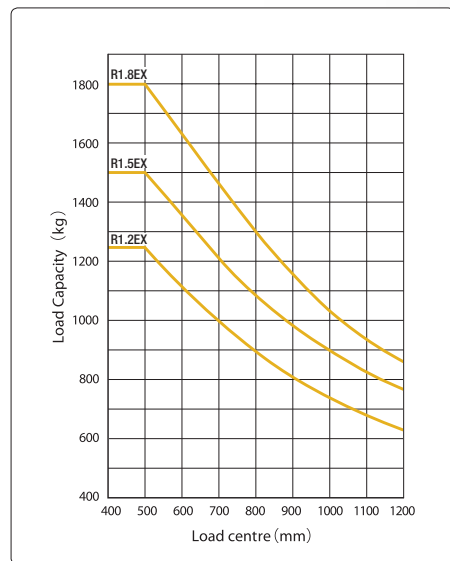
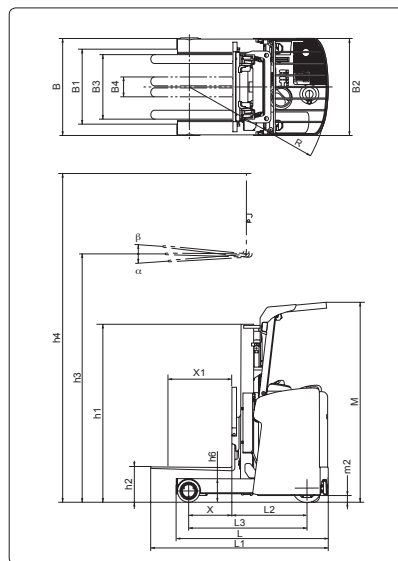
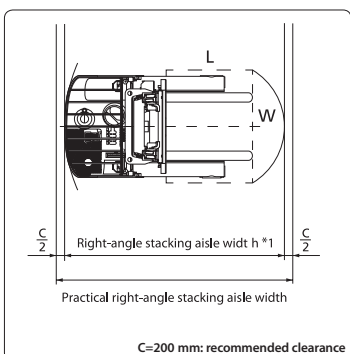
MODEL	MAST TYPE	BATTERY (AH)	MINIMUM RIGHT ANGLE AISLE WIDTH (MM) *1					RIGHT ANGLE STACKING AISLE WIDTH (MM) *1					
			L	1000	1000	1100	1200	1200	1000	1000	1100	1200	1200
			W	1000	1200	1100	1000	1200	1000	1200	1100	1000	1200
R1.25EX 2 1.25 ton	2-stage LFL	201	1630	1690	1650	1650	1700	2010	2260	2320	2400	2430	
		260	1630	1690	1650	1650	1700	2020	2270	2330	2410	2450	
		280-370	1640	1690	1650	1650	1700	2290	2330	2400	2480	2520	
	2-stage FFL	201, 260	1640	1690	1650	1650	1700	2250	2290	2360	2440	2470	
		280-370	1640	1690	1660	1660	1710	2320	2360	2430	2510	2540	
		201, 260	1640	1690	1650	1650	1700	2250	2290	2360	2440	2470	
3-stage FFL	280-370	1640	1690	1660	1660	1710	2320	2360	2430	2510	2540		
	201, 260	1640	1690	1650	1650	1700	2250	2290	2360	2440	2470		
R1.50EX 2 1.5 ton	2-stage LFL	260	1690	1740	1700	1700	1750	2230	2280	2340	2420	2460	
		280-370	1690	1740	1700	1700	1750	2290	2330	2400	2480	2520	
	2-stage FFL	260	1690	1740	1700	1700	1750	2250	2300	2360	2440	2470	
		280-370	1690	1740	1710	1700	1760	2320	2360	2430	2510	2540	
	3-stage FFL	260	1690	1740	1700	1700	1750	2250	2300	2360	2440	2470	
		280-370	1690	1740	1710	1700	1760	2320	2360	2430	2510	2540	
R1.80EX 2 1.8 ton	2-stage LFL	280-370	1790	1840	1810	1800	1850	2290	2340	2400	2490	2520	
	2-stage FFL	280-370	1790	1850	1810	1810	1860	2360	2390	2470	2550	2580	
	3-stage FFL	280-370	1790	1850	1810	1810	1860	2360	2390	2470	2550	2580	
R1.50EX W2 1.5 ton	3-stage FFL	280-370	1850	1870	1860	1860	1880	2360	2390	2470	2550	2580	
R1.80EX W2 1.8 ton	3-stage FFL	280-370	1850	1870	1860	1860	1880	2360	2390	2470	2550	2580	

*1: Figure does not include the recommended clearance of 200mm in the practical right-angle stacking aisle width.

Minimum right angle aisle width



Right angle stacking aisle width



Specifications R-EX 2 Series

Mast Specifications

Maximum Lifting Height (Nominal)	Model				
	R1.25-1.80EX 2			R1.50-1.80EX W2	
	2500mm	2700mm	3000mm	3300mm	3500mm
2500mm	2-stage LFL	2-stage FFL	-	-	-
2700mm	2-stage LFL	2-stage FFL	-	-	-
3000mm	Standard 2-stage LFL	2-stage FFL	-	-	-
3300mm	2-stage LFL	2-stage FFL	-	-	-
3500mm	2-stage LFL	2-stage FFL	-	-	-
3700mm	2-stage LFL	2-stage FFL	3-stage FFL	-	-
4000mm	2-stage LFL	2-stage FFL	3-stage FFL	Standard 3-stage FFL	-
4300mm	-	-	3-stage FFL	3-stage FFL	3-stage FFL
4500mm	2-stage LFL	-	3-stage FFL	3-stage FFL	3-stage FFL
4800mm	-	-	3-stage FFL	3-stage FFL	3-stage FFL
5000mm	2-stage LFL	-	3-stage FFL	3-stage FFL	3-stage FFL
5500mm	-	-	3-stage FFL	3-stage FFL	3-stage FFL
6000mm	-	-	3-stage FFL	3-stage FFL	3-stage FFL

Battery Specifications

Battery Capacity	1.25 Ton	1.5 Ton		1.8 Ton	
	R1.25EX 2	R1.50EX 2	R1.50EX W2	R1.80EX 2	R1.80EX W2
	Type S	Type S	Type W	Type S	Type W
201Ah/5h (48V)	•	-	-	-	-
260Ah/5h (48V)	△	△	-	-	-
280Ah/5h (48V)	△	•	•	•	•
340Ah/5h (48V)	△	△	△	△	△
370Ah/5h (48V)	△	△	△	△	△

- Standard
- △ Optional



Standard Features & Optional Extras



Standard Features

Workability
<p>Hoist Related:</p> <ul style="list-style-type: none"> ■ Hoist AC motor ■ Soft landing ■ High-visibility <p>Steering Related:</p> <ul style="list-style-type: none"> ■ Suspension lock control ■ AWC (small radius turning control) ■ Small diameter steering wheel <p>Travel Related:</p> <ul style="list-style-type: none"> ■ Travel IPM motor ■ Neutral brakes switchback regeneration ■ Travel speed/power adjustment/speed limiter <p>Lamp Related:</p> <ul style="list-style-type: none"> ■ Headlights ■ Turning indicators
Display 2
<ul style="list-style-type: none"> ■ LCD display
Ergonomics
<ul style="list-style-type: none"> ■ Low vibration suspension system ■ Shock-less steering ■ Low floor ■ Manifest clip
Battery
<ul style="list-style-type: none"> ■ BDI with lift interrupt function ■ Auto power off
Miscellaneous
<ul style="list-style-type: none"> ■ Turning speed control ■ Travel and load handling interlock ■ Neutral start ■ Slope speed limiter ■ Anti-rollback ■ Volume adjustable type reversing

* Performs shock-less start to finish loading/unloading, auto-stop at maximum height and horizontal auto-stop.

Optional Extras

Workability
<p>Hoist Related:</p> <ul style="list-style-type: none"> ■ Integral side-shift carriage ■ Load weight indicator <p>Steering Related:</p> <ul style="list-style-type: none"> ■ Large diameter steering wheel <p>Travel Related:</p> <ul style="list-style-type: none"> ■ Lowered overhead guard 2055mm ■ Non-marking tyres ■ Urethane tyres <p>Lamp Related:</p> <ul style="list-style-type: none"> ■ LED headlights ■ LED auto lights (light sensitive type) ■ Safety laser ■ Carriage light ■ LED turning light ■ LED work light ■ LED room light
Display 2*
<ul style="list-style-type: none"> ■ Full function display (Full-dot LCD)
Ergonomics
<ul style="list-style-type: none"> ■ Back support ■ High back support ■ Acrylic top cover
Battery
<ul style="list-style-type: none"> ■ Spare battery ■ Battery carrier
Miscellaneous
<ul style="list-style-type: none"> ■ Anti-skid traction control with front wheel brakes ■ Front protector ■ Elbow guard ■ Rear rubber bumper ■ Rear bumper (floor elongation shape) ■ Forward/back movement chimer ■ Forward/back melodic chimer ■ Rearview mirror ■ Room mirror ■ Password entry ■ Fire extinguisher
Environmental Specs
<ul style="list-style-type: none"> ■ Fishery spec. (-10°C or more) ■ Cold storage spec. (-35°C or more/-45°C or more) ■ Fishery cold storage spec. (-35°C or more/-45°C or more) ■ Anti-rust spec. ■ Anti-dust spec.


Hyster® Dealers



Contact your nearest Hyster Dealership
by visiting www.hyster.com




Contact your local Hyster Dealer

 Safety. This truck conforms to the current EU requirements. Specification is subject to change without notice.



Hyster Asia Pacific
1 Bullecourt Avenue, Milperra NSW, Australia 2214
Tel: +61 (2) 9795 3800 Fax: +61 (2) 9792 8484
www.hyster.com

HYSTER and  are Registered Trademarks. STRONG PARTNERS. TOUGH TRUCKS. Is a trademark in the United States and certain other jurisdictions. © Hyster Asia Pacific 2009. All rights reserved. Printed in Australia. Specifications and details in this brochure are subject to change without prior notification. Please consult with your Hyster dealer for the most up to date information and to confirm exact capacities.

BR0000017V1.0

HYSTER.COM