



**STRONG PARTNERS.
TOUGH TRUCKS.™**



HYSTER UT SERIES

ELECTRIC WALKIE PALLET TRUCK

P2.0UT / 2000KG

HYSTER.COM.AU

> OVERVIEW

P2.OUT

THE HYSTER® ELECTRIC WALKIE PALLET TRUCK P2.OUT COMBINES ERGONOMIC FEATURES AND RELIABLE PERFORMANCE WITH ENERGY EFFICIENT TECHNOLOGY. THE LOW-MAINTENANCE HELPS INCREASE PRODUCTIVITY AND REDUCE OPERATIONAL COSTS.

Productivity

- Advanced AC control system eliminates the motor brushes, which limits maintenance requirements
- Low skirting on main chassis
- Side battery roll-out system is very convenient to replace batteries
- Built-in pressure relief valve protects the trucks from overloading
- Emergency power disconnect switch
- Long handle reduces steering effort
- Emergency reversing system in handle
- Low speed switch in the handle
- Variable speed control
- Cold store configuration (option)

Optimum Structural Design

- Spring-loaded casters improve lateral stability on uneven floors and enhance truck performance and service life
- Formed heavy gauge steel provides maximum fork strength and longevity
- Pull rod design protects against bending
- Durable plastic covers

Serviceability

- CANbus technology reduces wiring complexity
- Low battery protection setting extends the battery life
- All pivot points have grease fittings and serviceable bushing, reducing component wear



**Handle (Standard)
(Left & Right Handed)**



**Entry Roller for
Easy Operation**

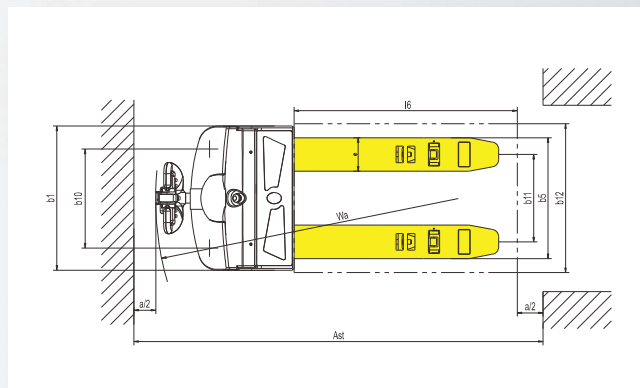
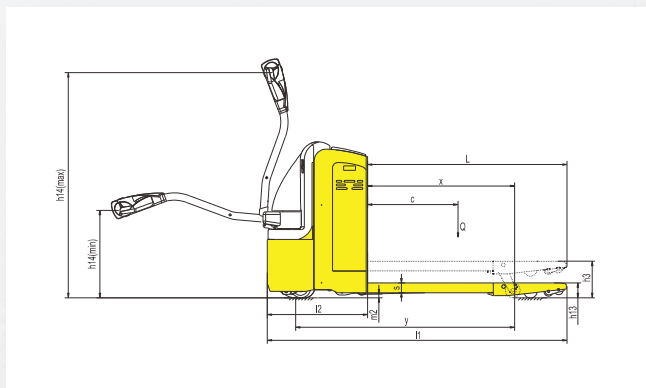


One Sided (Cold Store)



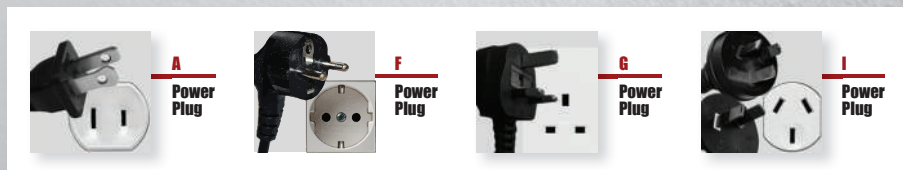
Two Sided (Cold Store)

SPECIFICATIONS AND DIMENSIONS



MODEL	MEASUREMENT	P2.OUT
Load capacity/rated load	Q (kg)	2000
Load centre distance	c (mm)	600
Load distance, centre of drive axle to fork	x (mm)	815/865/935
Wheelbase	y (mm)	1280
Fork height, lowered	h13 (mm)	82
Tyre size, front	mm	Φ250x70
Tyre size, rear	mm	Φ82x126 (98)
Additional wheels (dimensions)	mm	Φ127x57
Wheels, number front rear (x=driven wheels)		1x+2/2 (4)
Max. lift height	h3 (mm)	202
Height of tiller in drive position min./max.	h14 (mm)	780/1230
Overall length	l1 (mm)	1655/1705/1775
Length to face of forks	l2 (mm)	555
Overall width	b1 (mm)	775
Fork dimensions	s/e/l (mm)	54x180x1100/1150/1220
Width overall forks	b5 (mm)	550/685
Aisle width for pallets 1000x1200 crossways	Ast (mm)	2015/2065/2135
Aisle width for pallets 800x1200 lengthways	Ast (mm)	2115/2115/2135
Turning radius	Wa (mm)	1400/1450/1520
Drive motor power	kW	1.2
Lift motor power	kW	0.8
Sound level at the driver's ear according to DIN12503	dB (A)	70
Travel speed, laden/unladen	Km/h	5.5/5.6
Battery voltage, nominal capacity K5	V/Ah	24/210
Battery weight	Kg	196
Battery box dimensions	mm	750x170x534
Service weight (with battery)	Kg	640-645

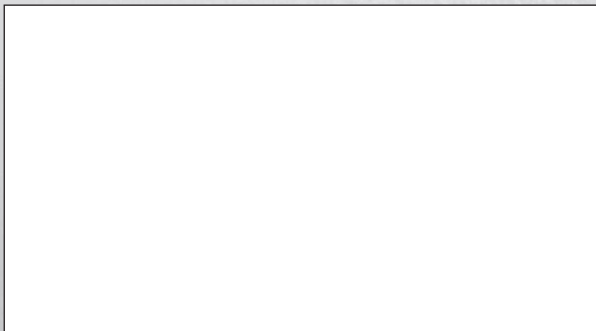
P2.OUT Power Plug Type



HYSTER® DEALERS



Contact your nearest Hyster® Dealership
by visiting www.hyster.com.au



HYSTER PACIFIC

1 Bullecourt Avenue, Milperra NSW, Australia 2214
Tel: +61 (2) 9795 3800 Fax: +61 (2) 9792 8484
hyster.com/pacific/en-au

HYSTER ASIA

16 Tuas Avenue 20, Singapore 638827
Tel: +65 6863 3387 Fax: +65 6863 3349
hyster.com/asia/en-sg



[/Hysterasiapacific](https://www.facebook.com/Hysterasiapacific)



[HysterJAPIC](https://www.linkedin.com/company/HysterJAPIC)



[Hyster Asia-Pacific](https://www.youtube.com/HysterAsia-Pacific)