



**STRONG PARTNERS.
TOUGH TRUCKS.™**



LADEN CONTAINER HANDLERS

H28-52XM-16CH

28 000 – 52 000 KG @ 1 600MM



H28XM-16CH, H32XM-16CH, H40XM-16CH, H44XM-16CH, H48XM-16CH, H50XM-16CH, H52XM-16CH

DISTINGUISHING MARKS	1.1		HYSTER		HYSTER		HYSTER			
	Manufacturer (abbreviation)		H28XM-16CH2		H32XM-16CH3		H40XM-16CH4			
1.2	Manufacturer's type designation		Diesel		Diesel		Diesel			
1.3	Drive: electric (battery or mains), diesel, petrol, fuel gas		Seated		Seated		Seated			
1.4	Operator type: hand, pedestrian, standing, seated, orderpicker		26,400		31,000		35,300			
1.5.1	Load capacity at load centre distance C1	Q ₁ (kg)	24,120	27,800	31,750					
1.5.2	Load capacity at load centre distance C1'	Q ₁ ' (kg)	1,430	1,430	1,400					
1.6.1	Load centre distance C1	C ₁ (mm)	1,640	1,640	1,610					
1.6.2	Load centre distance C1'	C ₁ ' (mm)	957	957	870					
1.8	Load distance ↔↔	x (mm)	4,315	4,825	5,900					
1.9	Wheelbase	y (mm)	2 x 9'6"		3 x 9'6"		4 x 9'6"			
1.10.1	Stacking height at first row (number x container height, in feet)		2 x 8'6"		3 x 8'6"		4 x 8'6"			
1.10.1	Stacking height at first row (number x container height, in feet)									
WEIGHTS	2.1		50,714		50,945		62,860			
	2.2		71,492		75,744		91,920			
	2.3		31,833		31,511		43,235			
TYRES & CHASSIS	3.1		L		L		L			
	3.2		16.00 - 25 32PR		16.00 - 25 32PR		18.00 - 25 40PR			
	3.3		16.00 - 25 32PR		16.00 - 25 32PR		18.00 - 25 40PR			
	3.5		x 4		x 4		x 4			
	3.6		2,424		2,424		3,703			
	3.7		2,338		2,338		3,060			
DIMENSIONS	4.1		6°		10°		6°		10°	
	4.2		5,659		7,174		7,966			
	4.3		-		-		-			
	4.4.1		1,239		1,239		2,280			
	4.4.2		7,354		10,384		12,034			
	4.5		8,716		11,746		13,320			
	4.7.1		3,502		3,535		4,703		4,758	
	4.7.2		3,634		3,634		4,780			
	4.7.3		3,693		3,693		4,839			
	4.7.4		3,708		3,708		4,780			
	4.8		2,333		2,333		3,525			
	4.12		1,031		1,031		-			
	4.17		1,025		1,010		1,025			
	4.19		8,749		9,259		10,330			
	4.20		6,309		6,819		7,710			
	4.21		3,340		3,340		4,200			
	4.24		6,100		12,200		6,100		12,200	
	4.28		+/- 210		+/- 210		+/- 210			
	4.30		+/- 216		+/- 216		+/- 216			
	4.31		227		227		458			
	4.32		502		502		335			
	4.34.3.1		9,608		10,243		11,430			
	4.34.3.2		9,808		10,443		11,630			
	4.34.3.3		10,569		11,267		12,575			
4.34.4.1		13,619		13,745		14,045				
4.34.4.2		13,819		13,945		14,245				
4.34.4.3		14,981		15,120		15,450				
4.35		6,185		6,848		7,875				
4.36		2,589		3,013		2,690				
PERFORMANCE DATA	5.1		25.0		25.0		20.0		22.0	
	5.1.1		25.0		25.0		20.0		22.0	
	5.2		0.27		0.29		0.25		0.27	
	5.2.1		0.28		0.28		0.25			
	5.3		0.50		0.50		0.50		0.50	
	5.5		197		202		275		275	
	5.5.1		240		244		275		275	
	5.7		27		41		29		40	
	5.7.1		33		41		30		49	
	5.9									
5.10		Oil-immersed disc		Oil-immersed disc		Oil-immersed disc				
ADDITIONAL DATA	10.1		225		225		140			
	10.2		100		100		90			
	10.3		274		274		625			
	10.4		364		364		830			
	10.4.1		38		38		57			
	10.5		Hydrostatic		Hydrostatic		Hydrostatic			
	10.6		6.0		6.0		6.0			
	10.7		73.3		73.3		74			
	10.7.1		106		106		109			
	10.8		Yes / Pin		Yes / Pin		No			

Specification data is based on VDI 2198

HYSTER		HYSTER		HYSTER		HYSTER		1.1
H44XM-16CH4		H48XM-16CH4		H50XM-16CH5		H52XM-16CH5		1.2
Diesel		Diesel		Diesel		Diesel		1.3
Seated		Seated		Seated		Seated		1.4
39,300		40,000		40,000		40,000		1.5.1
35,400		39,590		36,700		40,000		1.5.2
1,400		1,400		1,509		1,509		1.6.1
1,610		1,610		1,749		1,749		1.6.2
870		870		900		900		1.8
5,900		5,900		5,900		5,900		1.9
4 x 9'6"		4 x 9'6"		5 x 9'6"		5 x 9'6"		1.10.1
4 x 8'6"		4 x 8'6"		5 x 8'6"		5 x 8'6"		1.10.1

DISTINGUISHING MARKS

65,660		67,060		76,340		79,040		2.1
97,510	7,450	98,830	8,230	107,990	8,350	105,980	13,060	2.2
43,310	22,350	43,670	23,390	51,680	24,660	49,670	29,370	2.3





WEIGHTS

L		L		L		L		3.1
18.00 - 25 40PR		18.00 - 25 40PR		18.00 - 25 40PR		18.00 - 33 36PR		3.2
18.00 - 25 40PR		18.00 - 25 40PR		18.00 - 25 40PR		18.00 - 33 36PR		3.3
x 4	2	x 4	2	x 4	2	x 4	2	3.5
3,703		3,703		3,703		3,703		3.6
3,060		3,060		3,060		3,060		3.7

TYRES & CHASSIS

6°	10°	6°	10°	6°	10°	6°	10°	4.1
7,966		7,966		9,451		9,451		4.2
-		-		-		-		4.3
2,280		2,280		2,280		2,280		4.4.1
12,034		12,034		14,930		14,930		4.4.2
13,320		13,320		17,392		17,392		4.5
4,703	4,758	4,703	4,758	4,793	4,848	4,793	4,848	4.7.1
4,780		4,780		4,872		4,872		4.7.2
4,839		4,839		4,931		4,931		4.7.3
4,780		4,780		4,872		4,872		4.7.4
3,525		3,525		3,615		3,615		4.8
-		-		-		-		4.12
1,025		1,025		1,025		1,093		4.17
10,330		10,330		10,485		10,698		4.19
7,710		7,710		7,740		7,968		4.20
4,200		4,200		4,200		4,200		4.21
6,100	12,200	6,100	12,200	6,100	12,200	6,100	12,200	4.24
+/- 210		+/- 210		+/- 240		+/- 240		4.28
+/- 216		+/- 216		+/- 400		+/- 400		4.30
458		458		452		452		4.31
335		335		370		370		4.32
11,430		11,430		11,595		11,715		4.34.3.1
11,630		11,630		11,795		11,915		4.34.3.2
12,575		12,575		12,755		12,885		4.34.3.3
14,045		14,045		14,045		14,045		4.34.4.1
14,245		14,245		14,245		14,245		4.34.4.2
15,450		15,450		15,450		15,450		4.34.4.3
7,875		7,875		7,875		8,020		4.35
2,690		2,690		2,690		2,690		4.36

DIMENSIONS

20.0	22.0	20.0	22.0	20.0	22.0	21.0	23.0	5.1
20.0	22.0	20.0	22.0	20.0	22.0	21.0	23.0	5.1.1
0.25	0.27	0.25	0.27	0.25	0.27	0.25	0.27	5.2
0.25		0.25		0.25		0.25		5.2.1
0.50	0.50	0.50	0.50	0.50	0.50	0.50	0.50	5.3
275	275	275	275	275	275	248	248	5.5
275	275	275	275	275	275	275	275	5.5.1
26	40	25	38	24	39	24	38	5.7
28	47	28	47	27	41	34	46	5.7.1
								5.9
Oil-immersed disc		Oil-immersed disc		Oil-immersed disc		Oil-immersed disc		5.10

PERFORMANCE DATA

140	140	140	140	140	140	10.1
90	90	90	90	90	90	10.2
625	625	625	625	625	625	10.3
830	830	830	830	830	830	10.4
57	57	57	57	57	57	10.4.1
Hydrostatic	Hydrostatic	Hydrostatic	Hydrostatic	Hydrostatic	Hydrostatic	10.5
6.0	6.0	6.0	6.0	6.0	6.0	10.6
74	74	74	74	74	74	10.7
109	109	109	109	109	109	10.7.1
No	No	No	No	No	No	10.8

ADDITIONAL DATA

POWERTRAINS & SPREADERS

DESIGNATION	1.1	Manufacturer (abbreviation)
	1.2	Manufacturer's type designation
	1.3	Drive: electric (battery or mains), diesel, petrol, fuel gas

POWER UNIT	7.1	Engine manufacturer / type	
	7.2	Engine output according to ISO 1585	kW / min-1
	7.2.1	Max. engine power according to ISO 1585	kW / min-1
	7.3	Rated speed	min-1
	7.3.1	Torque at 1/min	Nm / min-1
	7.4	Number of cylinders / displacement	(-)/cm ³
	7.5	Fuel consumption according to VDI cycle	l/h
	7.8	Alternator	A
	7.10	Battery voltage/nominal capacity	(V)/(Ah)

DRIVE TRAIN	8.1	Type of drive unit
	8.2	Transmission manufacturer / type
	8.6	Wheel drive / drive axle manufacturer / type
	8.11	Service brake
	8.12	Parking brake

SPREADER	9.1	Manufacturer / type	
	9.2	Design	
	9.3	Size of containers	feet (')
	9.4	Side shift	b _s (mm)
	9.5	Pile slope spreader	° / type
	9.6	Rotation angle	°
	9.7	Longitudinal adjustment	mm
	9.8	Telescoping time, extend / retract	s

DESIGNATION	1.1	Manufacturer (abbreviation)
	1.2	Manufacturer's type designation
	1.3	Drive: electric (battery or mains), diesel, petrol, fuel gas

COMBUSTION-ENGINE	7.1	Engine manufacturer / type	
	7.2	Engine output according to ISO 1585	kW / min-1
	7.2.1	Max. engine power according to ISO 1585	kW / min-1
	7.3	Rated speed	min-1
	7.3.1	Torque at 1/min	Nm / min-1
	7.4	Number of cylinders / displacement	(-)/cm ³
	7.5	Fuel consumption according to VDI cycle	l/h
	7.8	Alternator	A
	7.10	Battery voltage/nominal capacity	(V)/(Ah)

DRIVE/LIFT MECHANISM	8.1	Type of drive unit
	8.2	Transmission manufacturer / type
	8.6	Wheel drive / drive axle manufacturer / type
	8.11	Service brake
	8.12	Parking brake

SPREADER	9.1	Manufacturer / type	
	9.2	Design	
	9.3	Size of containers	feet (')
	9.4	Side shift	b _s (mm)
	9.5	Pile slope spreader	° / type
	9.6	Rotation angle	°
	9.7	Longitudinal adjustment	mm
	9.8	Telescoping time, extend / retract	s

HYSTER		HYSTER	
H28-32XM-16CH		H40-48XM-16CH	
Diesel		Diesel	

Cummins	QSB 6.7	Cummins	QSL 9
194	2,200	261	2,100
201	2,000	283	1,900
2,200		2,100	
990	1,500	1,627	1,500
6	6,690	6	8,900
☞		☞	
120		120	
24	102	24	102

Torque Converter		Torque Converter	
ZF	5WG211	Spicer Off-Highway	TE-32
Axle Tech	PRC3806W4H	Kessler	D102PL341/528-NLB
Oil immersed disc		Oil immersed disc	
Dry disc on drive axle		Dry disc on drive axle	

ELME	812	ELME	813
Top lift spreader		Top lift spreader	
ISO 20' - 40'		ISO 20' - 40'	
+/- 216		+/- 216	
+/- 2.5 / mechanical		+/- 2.5 / mechanical	
+/- 4.5		+/- 4.5	
+/- 210		+/- 210	
12	12	12	12

HYSTER		HYSTER	
H50XM-16CH		H52XM-16CH	
Diesel		Diesel	

Cummins	QSL 9	Cummins	QSL 9
261	2,100	261	2,100
283	1,900	283	1,900
2,100		2,100	
1,627	1,500	1,627	1,500
6	8,900	6	8,900
☞		☞	
120		120	
24	102	24	102

Torque Converter		Torque Converter	
Spicer Off-Highway	TE-32	Spicer Off-Highway	TE-32
Kessler	D102PL341/528-NLB	Kessler	D102PL341/528-NLB
Oil immersed disc		Oil immersed disc	
Dry disc on drive axle		Dry disc on drive axle	

ELME 818 for Gantry	ELME 818 for Gantry
Top lift spreader	Top lift spreader
ISO 20' - 40'	ISO 20' - 40'
+/- 400	+/- 400
+/- 6.0 / powered	+/- 6.0 / powered
+/- 3.0	+/- 3.0
+/- 240	+/- 240
12	12

MAST AND CAPACITY INFORMATION

Mast	Stacking height	Lift height h_3	Min. under twistlock $h_{3.1.1}$	Max. under twistlock $h_{3.1.2}$	Lowered height h_1	Extended height h_4	Side shift b_8	Tilt fwd/bwd	Overall width b_2	H28XM-16CH	
										Capacity spreader retracted	Capacity spreader extended
										c_1 @ 1.430 mm	c_1 @ 1.640 mm
	8'6" - 9'6"	(mm)	(mm)	(mm)	(mm)	(mm)	(mm)	(°)	(mm)	(kg)	
2 stage NFL	2 high 8'6"	6,115	1,239	7,354	5,659	8,716	+/- 216	6/10	3,340	26,400	24,120
	2 high 9'6"	6,115	1,239	7,354	5,659	8,716	+/- 216	6/10	3,340	26,400	24,120
	3 high 9'6"	9,145	1,239	10,384	7,174	11,746	+/- 216	6/10	3,340	26,300	23,680
	4 high 8'6"	9,755	1,239	10,994	7,479	12,356	+/- 216	6/10	3,340	25,740	23,380

Mast	Stacking height	Lift height h_3	Min. under twistlock $h_{3.1.1}$	Max. under twistlock $h_{3.1.2}$	Lowered height h_1	Extended height h_4	Side shift b_8	Tilt fwd/bwd	Truck width b_2	H32XM-16CH	
										Capacity spreader retracted	Capacity spreader extended
										c_1 @ 1.430 mm	c_1 @ 1.640 mm
	8'6" - 9'6"	(mm)	(mm)	(mm)	(mm)	(mm)	(mm)	(°)	(mm)	(kg)	
2 stage NFL	2 high 8'6"	6,115	1,239	7,354	5,659	8,716	+/- 216	6/10	3,340	31,000	28,200
	2 high 9'6"	6,115	1,239	7,354	5,659	8,716	+/- 216	6/10	3,340	31,000	28,200
	3 high 9'6"	9,145	1,239	10,384	7,174	11,746	+/- 216	6/10	3,340	31,000	27,800
	4 high 8'6"	9,755	1,239	10,994	7,479	12,356	+/- 216	6/10	3,340	30,640	27,720

Mast	Stacking height	Lift height h_3	Min. under twistlock $h_{3.1.1}$	Max. under twistlock $h_{3.1.2}$	Lowered height h_1	Extended height h_4	Side shift b_8	Tilt fwd/bwd	Truck width b_2	H40XM-16CH4	
										Capacity spreader retracted	Capacity spreader extended
										c_1 @ 1.400 mm	c_1 @ 1.610 mm
	8'6" - 9'6"	(mm)	(mm)	(mm)	(mm)	(mm)	(mm)	(°)	(mm)	(kg)	
2 stage NFL	3 high	7,010	2,280	9,290	6,594	10,576	+/- 216	6/10	4,200	37,100	33,400
	4 high	9,754	2,280	12,034	7,966	13,320	+/- 216	6/10	4,200	35,300	31,750
	5 high	12,650	2,280	14,930	9,451	17,392	+/- 216	6/10	4,200	N / A	N / A

Mast	Stacking height	Lift height h_3	Min. under twistlock $h_{3.1.1}$	Max. under twistlock $h_{3.1.2}$	Lowered height h_1	Extended height h_4	Side shift b_8	Tilt fwd/bwd	Truck width b_2	H44XM-16CH	
										Capacity spreader retracted	Capacity spreader extended
										c_1 @ 1.400 mm	c_1 @ 1.610 mm
	8'6" - 9'6"	(mm)	(mm)	(mm)	(mm)	(mm)	(mm)	(°)	(mm)	(kg)	
2 stage NFL	3 high	7,010	2,280	9,290	6,594	10,576	+/- 216	6/10	4,200	39,900	35,950
	4 high	9,754	2,280	12,034	7,966	13,320	+/- 216	6/10	4,200	39,300	35,400
	5 high	12,650	2,280	14,930	9,451	17,392	+/- 216	6/10	4,200	N / A	N / A

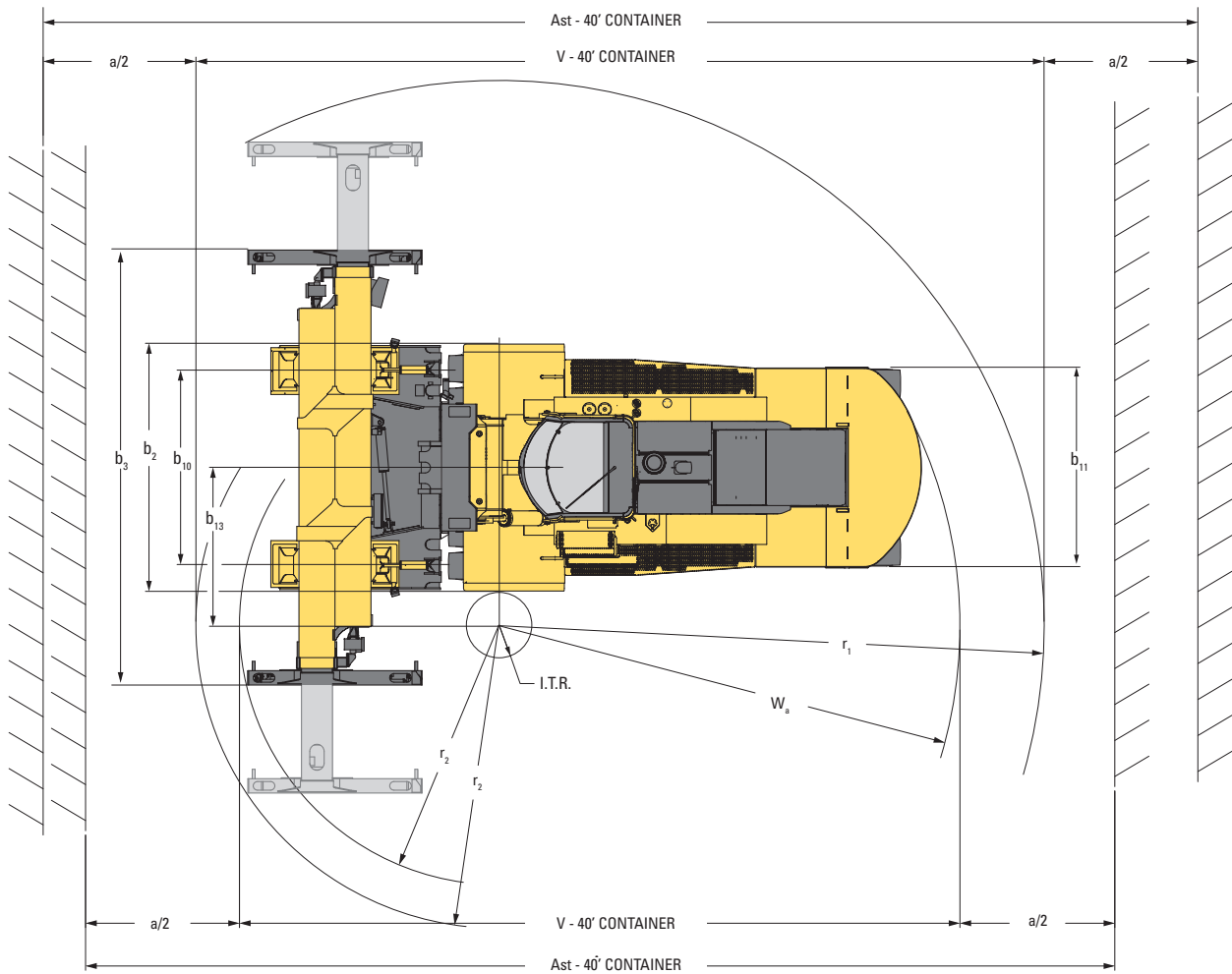
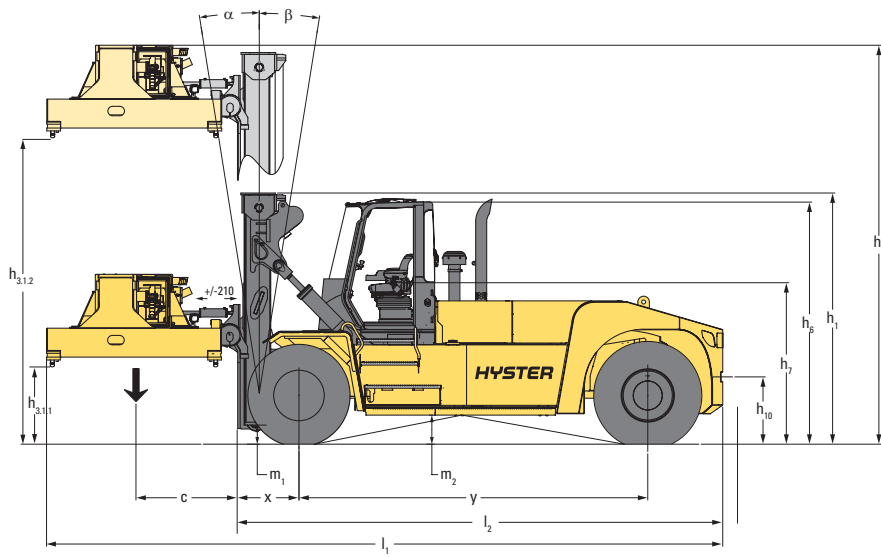
Mast	Stacking height	Lift height h_3	Min. under twistlock $h_{3.1.1}$	Max. under twistlock $h_{3.1.2}$	Lowered height h_1	Extended height h_4	Side shift b_8	Tilt fwd/bwd	Truck width b_2	H48XM-16CH	
										Capacity spreader retracted	Capacity spreader extended
										c_1 @ 1.400 mm	c_1 @ 1.610 mm
	8'6" - 9'6"	(mm)	(mm)	(mm)	(mm)	(mm)	(mm)	(°)	(mm)	(kg)	
2 stage NFL	3 high	7,010	2,280	9,290	6,594	10,576	+/- 216	6/10	4,200	40,000	40,000
	4 high	9,754	2,280	12,034	7,966	13,320	+/- 216	6/10	4,200	40,000	39,590
	5 high	12,650	2,280	14,930	9,451	17,392	+/- 216	6/10	4,200	N / A	N / A

Mast	Stacking height	Lift height h_3	Min. under twistlock $h_{3.1.1}$	Max. under twistlock $h_{3.1.2}$	Lowered height $h_{1.1}$	Extended height $h_{4.1}$	Side shift b_8	Tilt fwd/bwd	Truck width b_2	H50XM-16CH (gantry)	
										Capacity spreader retracted	Capacity spreader extended
										c_1 @ 1.510 mm	c_1 @ 1.749 mm
	8'6" - 9'6"	(mm)	(mm)	(mm)	(mm)	(mm)	(mm)	(°)	(mm)	(kg)	
2 stage NFL	3 high	7,010	2,280	9,290	6,631	11,752	+/- 400	6/10	4,200	40,000	40,000
	4 high	9,754	2,280	12,034	8,003	14,496	+/- 400	6/10	4,200	40,000	40,000
	5 high	12,650	2,280	14,930	9,451	17,392	+/- 400	6/10	4,200	40,000	36,700

Mast	Stacking height	Lift height h_3	Min. under twistlock $h_{3.1.1}$	Max. under twistlock $h_{3.1.2}$	Lowered height $h_{1.1}$	Extended height $h_{4.1}$	Side shift b_8	Tilt fwd/bwd	Truck width b_1	H52XM-16CH (gantry)	
										Capacity spreader retracted	Capacity spreader extended
										c_1 @ 1.509 mm	c_1 @ 1.749 mm
	8'6" - 9'6"	(mm)	(mm)	(mm)	(mm)	(mm)	(mm)	(°)	(mm)	(kg)	
2 stage NFL	3 high	7,010	2,280	9,290	6,631	11,752	+/- 400	6/10	4,200	40,000	40,000
	4 high	9,754	2,280	12,034	8,003	14,496	+/- 400	6/10	4,200	40,000	40,000
	5 high	12,650	2,280	14,930	9,451	17,392	+/- 400	6/10	4,200	40,000	40,000

** based on 18.00 - 33 tyre w/o load; radius 880 mm

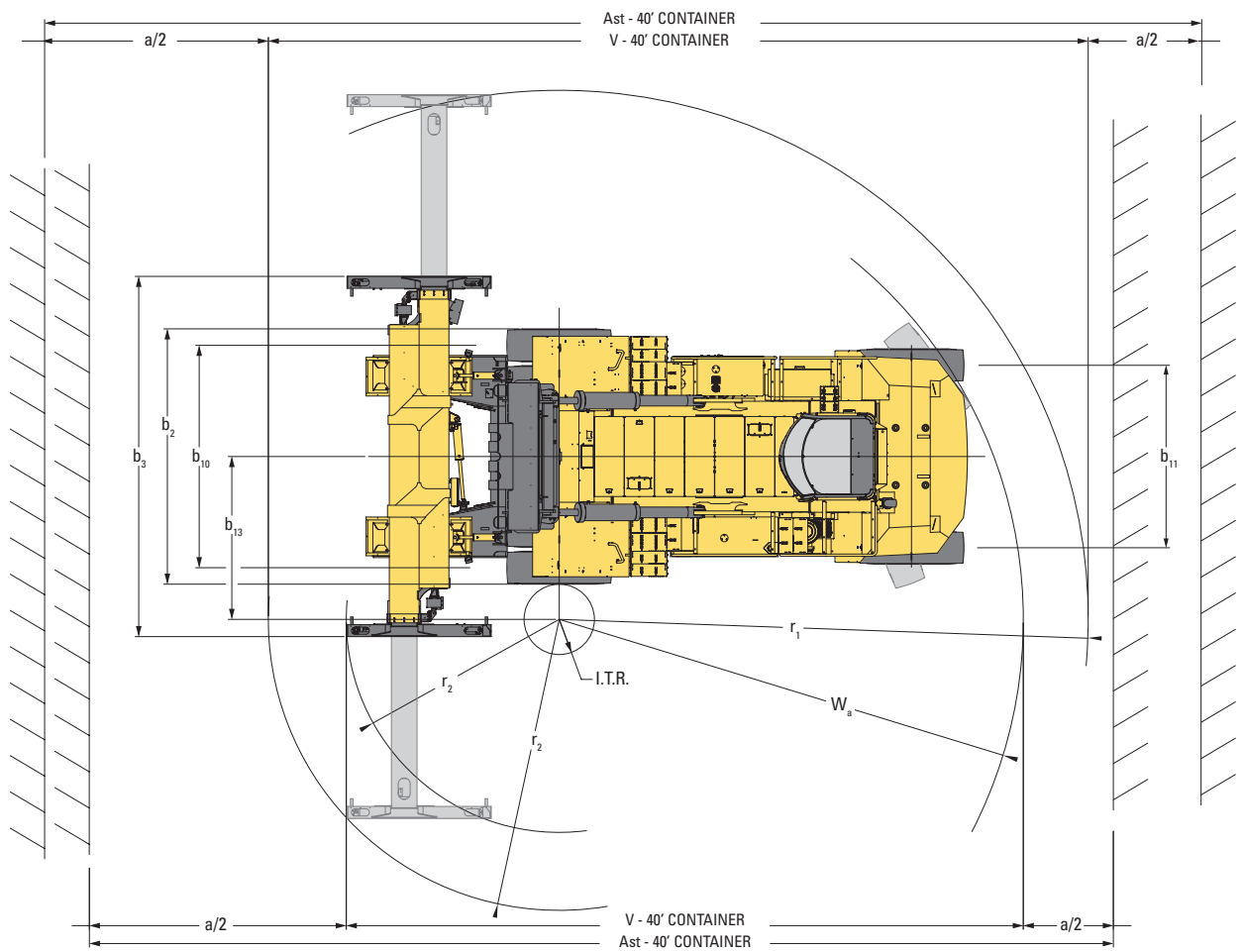
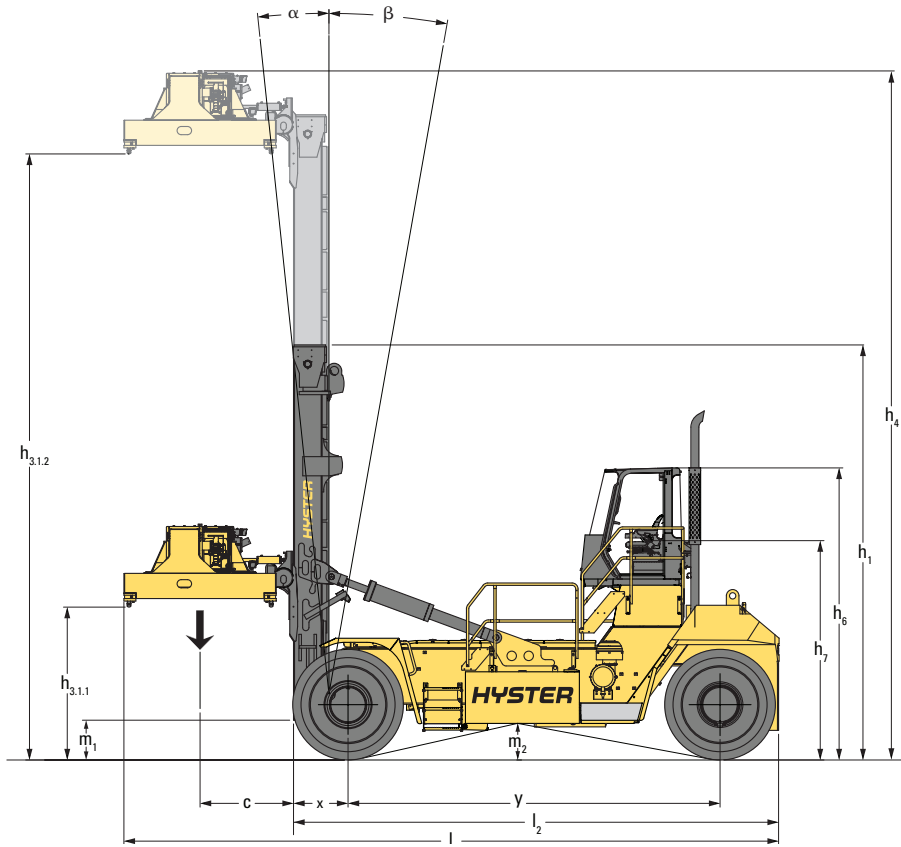
TRUCK DIMENSIONS - H28-32XM-16CH



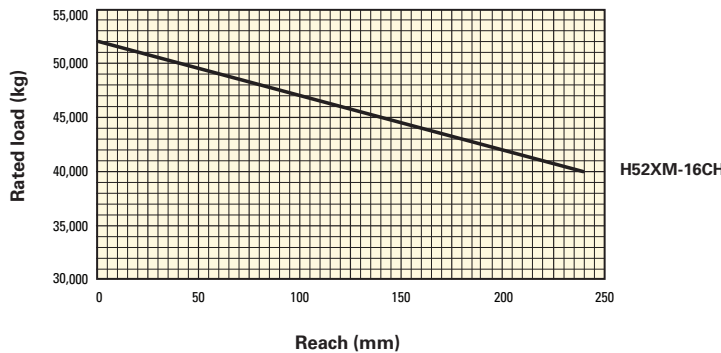
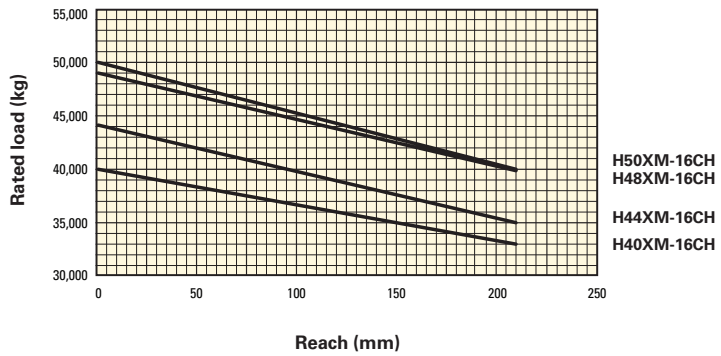
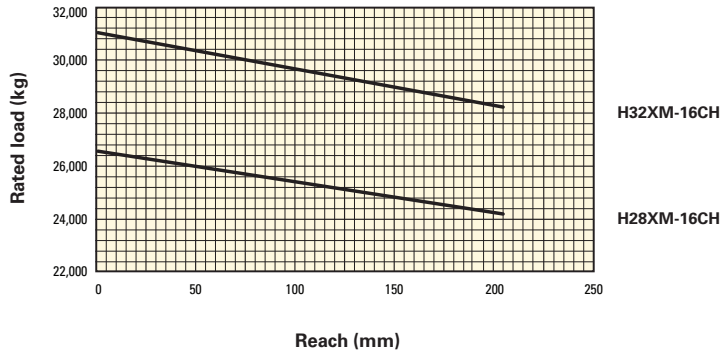
- $A_{ST} = W_a + x + l_6 + a$ (if $b_{12}/2 < b_{13}$)
- $A_{ST} = W_a + (l_6 - x)^2 + (b_{12} - b_{13})^2 + a$ (if $b_{12}/2 > b_{13}$)
- a = Minimum operating clearance = 10% of A_{ST}
(VDI standard = 200 mm BITA recommendation = 300 mm)
- l_6 = load length
- b_{12} = load width

- r_1 = radius of swing of container rear corner
- r_2 = radius of swing of container front corner
- W_a = outside turning radius of truck
- a = total operating clearance, $a/2$ is operating clearance at each side.
- $a = 10\%$ of V
- V = (theoretical) 90 stacking aisle width, no intrusive stacking and width clearance
- $A_{ST} = V + a$
- $A_{ST} = V + 10\%$ of V

TRUCK DIMENSIONS - H40-32XM-16CH



RATED CAPACITIES



Load centre

Distance from front of spreader to centre of gravity of load.

Rated load

Based on 2 stage NFL mast 6115 mm lift height for container handling, dedicated carriage for container handling and 20-40' extendable container attachment

NOTE:

Specifications are affected by the condition of the vehicle and how it is equipped, as well as the nature and condition of the operating area. Inform your dealer of the nature and condition of the intended operating area when purchasing your Hyster Truck.

- ↔ Centre of drive axle to front face of spreader
- ◇ Weights are based on the following specifications: Complete truck with cab, pneumatic tyres, mast as specified, carriage as specified and 20' – 40' spreader.
- + Unladen with new tyres
- Spreader, distance from ground to twistlocks.
- Full suspension seat in depressed position
- ⊙ Distance centre truck to centre of internal turning radius
- * Travel speed laden/unladen limited at 25 km/h as factory default
- ⚙ at 1.6 km/h.
- ◇ at stall.
- † Gradeability figures are provided for comparison of tractive performance, but are not intended to endorse the operation of vehicle on the stated inclines. Follow instructions in the operating manual regarding operation on inclines.
- * Measured according to the test cycles and based on the weighting values contained in EN12053.
- 📄 Data available on request, as values are dependent on application.

MAST AND CAPACITY:

** Based on 18.00 - 33 tyre w/o load; radius 880 mm

NOTICE:

Care must be exercised when handling elevated loads. When the carriage and/or load is elevated, truck stability is reduced. It is important that the mast tilt in either direction is kept to a minimum when loads are elevated.

Operators must be trained and must read, understand and follow the instructions contained in the Operating Manual.

All values are nominal values and they are subject to tolerances. For further information, please contact the manufacturer.

Hyster products are subject to change without notice.

Lift trucks illustrated may feature optional equipment. Values may vary with alternative configurations.

CE Safety:

This truck conforms to the current EU requirements.

FRONT END EQUIPMENT



Range of 2 stage NFL masts



Dedicated carriage for top pick 20'-40' telescopic spreader 812.



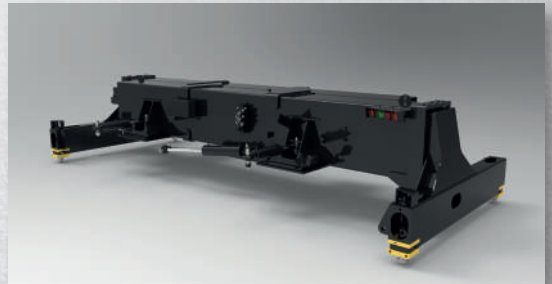
ELME 812 Top lift spreader for Dedicated CH carriage



Dedicated carriage for top pick 20'-40' telescopic spreader 813



Dedicated carriage for top pick 20'-40' telescopic spreader 813 with 116 mm extra reach.



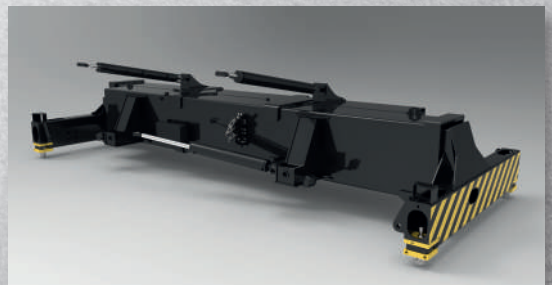
ELME 813 Top lift spreader for Dedicated CH carriage



Gantry carriage 750 for top pick 20'-40' telescopic spreader 818 with Mechanical Pile Slope.



Gantry carriage 750 for top pick 20'-40' telescopic spreader 818 with Hydraulically Powered Pile Slope.



ELME 818 Top lift spreader for Gantry carriage 750

STANDARD EQUIPMENT

H28-32XM-16CH

- Cummins QSB 6.7L 194 / max 201 KW @ 2.200 rpm Turbo Diesel Engine
 - Stage IV Compliant
 - ECO-eLo / HiP performance modes
 - Hibernate Idle
 - Hydraulically driven cooling fan clutch
- ZF WG 211 5 speed forward / 3 speed reverse Hydrodynamic Transmission

H40-52XM-16CH

- Cummins QSL 9L 261/ max 283 KW @ 2.100 rpm Turbo Diesel Engine
 - Stage IV Compliant
 - ECO-eLo / HiP performance modes
 - Hibernate Idle
 - Hydraulically driven cooling fan clutch
- DANA Spicer Off-Highway TE-32 4 speed auto-shifting transmission with APC200 shift controller

H28-52XM-16CH

- 2-Stage NFL 2-high Mast with maximum lift height of 9250 mm (H28-32XM-16CH)
- 2-Stage NFL 3-high Mast with maximum lift height of 7010 mm (H40-52XM-16CH)
- Dedicated carriage for Container handling for 1220-1430 mm load centre (H28-32XM-16CH)
- Dedicated carriage for Container handling for 1400-1610 mm load centre (H40-48XM-16CH)
- Dedicated carriage for Container handling for 1510-1720 mm load centre (H50XM-16CH)
- ELME 812 ISO Top Lift Spreader (H28-32XM-16CH)
- ELME 813 ISO Top Lift Spreader (H40-50XM-16CH)
- Wet disc brakes
- Sy-Klone spinner type heavy duty air intake pre-cleaner
- Axle Tech PRC 3806 heavy duty planetary drive axles (H28-32XM-16CH)
- Kessler D102 PL 341/528 NLB planetary drive axle with wet disc brakes (H40-52XM-16CH)
- Steer axle with hydrostatic power steering
- SAUER-DANFOSS dual piston variable displacement pump 140ccm (75 + 90 ccm) - H28-32XM-16CH
- SAUER-DANFOSS dual piston variable displacement pump 140ccm (70 + 70 ccm) - H40-52XM-16CH
- Powertrain protection system for engine and transmission; high temperature and/or low oil pressure
- On-demand load-sensing hydraulic system featuring VDP technology
- Hydraulic Control 5 function Joystick (H28-32XM-16CH)
- Hydraulic Control 7 function Joystick (H40-52XM-16CH)
- CANbus electrical control system for engine, transmission and hydraulics
- 16.00 - 25 32PR bias ply treaded PR E4 load pneumatic drive and steer tires (H28-32XM-16CH)
- 18.00-25 40PR standard pneumatic drive and steer tyres (H40-52XM-16CH)
- Directional control lever with direction change interlock system
- Mast tilt: 6° forward / 10° back
- Lockable battery disconnect switch
- 120 amp alternator
- Enclosed Cab without Air Conditioning featuring:
 - Seat-Side Hydraulic Control Joystick
 - Multifunction Display Panel
 - Interior Wide Angle Mirrors
 - Telescoping & Tilting Steering Column
 - I-style Front screen Wiper
 - 24-12 V DC/DC Converter
 - Top & Rear Wipers
 - Heater
 - Re-circulation Fan
 - Floor Mat
 - Isolated Mounting for Low Noise and Vibration
 - Handrails for Operator Entry and Exit
- Mechanical, Full Suspension Vinyl or Cloth Seat with integrated adjustable armrest and orange Hi-Vis seat belt
- Operator restraint system
- Operator presence system
- Electronic horn - 105 dB(A)
- Visible alarm / amber strobe light
- Self adjustable back up alarm, volume ambient + 5dB(A)
- 24V electrical system
- Manual Tilt Operator Compartment for Service Access
- Light Kit 4 (H28-32XM-16CH):
 - LED rear cluster with stop, reverse and direction light
 - 4 x Halogen working lights mounted on front of the cab
 - 2 x Halogen working lights mounted on rear of the cab
 - 2 x Halogen drive lights, 2 LED direction / marker lights mounted on front fender
- Light Kit 1 (H40-52XM-16CH):
 - LED rear cluster with stop, reverse and direction light
 - 4 x Halogen working lights mounted on front of the cab
 - 2 x Halogen working lights mounted on rear of the cab
 - 4 x Halogen drive lights mounted on front fender
- Steering wheel with spinner knob
- Steer wheel nut protection
- Non-lockable diesel fuel cap
- Literature Package
 - Operator's Manual
- 12 months / 2,000 hours manufacturer's warranty

OPTIONAL EQUIPMENT

- Masts: various 2-stage NFL masts with various lift heights available
- Various hydraulic valve control groups
- MONOTROL® pedal direction control with direction change interlock system
- Mast tilt: 15° forward / 10° back (only H40-50XM-16CH)
- Tyres – Drive and Steer
 - 16.00 - 25 Solid (H28-32XM)
 - 16.00 - R25 MICHELIN XZM radial (H28-32XM)
 - 16.00 - R25 GOODYEAR EV-4S slick (H28-32XM)
 - 18.00 - 25 Solid (H40-52XM)
 - 18.00 - 25 40PR Bridgestone STM S slick (H40-52XM)
 - 18.00 - 25 40PR GOODYEAR EV-4B (H40-52XM)
 - 18.00 - R25 GOODYEAR EV-4S radial slick (H40-52XM)
 - 18.00 - R25 MICHELIN XZM radial (H40-52XM)
 - 18.00 - R25 GOODYEAR pneumatics (H40-52XM)
- Front and rear mud flaps
- Enclosed Cab with Air Conditioning includes:
 - Seat-Side Hydraulic Control Joystick
 - Multifunction Display Panel
 - Interior Wide Angle Mirrors
 - Telescoping & Tilting Steering Column
 - Floor Mat
 - 24-12V DC/DC Converter
 - I - style Front screen Wiper
 - H - style Front screen Wiper
 - Heater
- Cab options
 - Temperature controller
 - Air conditioner, manual controlled
 - Air conditioner, automatically controlled
 - High Performance Air conditioner, manual controlled
 - High Performance Air conditioner, automatically controlled
 - Reading light
 - Top and rear sun shades
 - Trainer seat
 - Recirculation fan
 - IT console for on-board computer
 - Rear locking console
 - Heated TOP Window
 - Engine start interlock
 - Radio preparation, inclusive wire, two speakers and antenna
 - Rain top (OHG only)
 - Wire mesh protection guard on Top of cab
 - External Mirror right and left
- Seats
 - Mechanical, Full Suspension High backrest Vinyl or Cloth Seat
 - Pneumatic, Full Suspension Vinyl or Cloth Seat
 - Pneumatic, Full Suspension High backrest Vinyl or Cloth Seat
 - Deluxe Air Suspended Full Suspension Cloth Seat
 - Heated Deluxe Air Suspended Full Suspension Cloth Seat
- 3-point seat belt for Deluxe Seat
- Powered Tilt Operator Compartment
- Air Horn
- Various LED, HID (High Intensity Discharge - Xenon) and Halogen light kits available
- Hydraulic accumulator
- Hydraulic temperature protection on tilt cylinders
- Pressure compensated lowering
- Lifting eyes
- Engine pre-heater 1.500 W / 230 Volt AC
- NATO Start aid connector (24V)
- Mast tilt indicator
- Traction speed limiter
- Empty seat engine shutdown
- Lockable diesel fuel cap
- Automatic greasing system
- Centralized greasing provision for mast chain sheaves (available on limited masts)
- Hyster Tracker Wireless Asset Management system

Other options available through Special Products Engineering Department (SPED). Contact Hyster for details.

STRONG PARTNERS. TOUGH TRUCKS.™

FOR DEMANDING OPERATIONS, EVERYWHERE.

Hyster supplies a complete range of warehouse equipment, IC and electric counterbalanced trucks, container handlers and reach stackers. Hyster is committed to being much more than a lift truck supplier.

Our aim is to offer a complete partnership capable of responding to the full spectrum of material handling issues: Whether you need professional consultancy on your fleet management, fully qualified service support, or reliable parts supply, you can depend on Hyster.

Our network of highly trained dealers provides expert, responsive local support. They can offer cost-effective finance packages and introduce effectively managed maintenance programmes to ensure that you get the best possible value. Our business is dealing with your material handling needs so you can focus on the success of your business today and in the future.



HYSTER EUROPE

Centennial House, Frimley Business Park, Frimley, Surrey, GU16 7SG, England.


Tel: +44 (0) 1276 538500




www.hyster.eu infoeurope@hyster.com [/HysterEurope](https://www.facebook.com/HysterEurope) [@HysterEurope](https://twitter.com/HysterEurope) [/HysterEurope](https://www.youtube.com/HysterEurope) www.hyster-bigtrucks.com

HYSTER-YALE UK LIMITED trading as Hyster Europe. Registered Address: Centennial House, Building 4.5, Frimley Business Park, Frimley, Surrey GU16 7SG, United Kingdom.

Registered in England and Wales. Company Registration Number: 02636775.

HYSTER,  and FORTENS are registered trademarks in the European Union and certain other jurisdictions.

MONOTROL® is a registered trademark, and DURAMATCH and  are trademarks in the United States and in certain other jurisdictions.

Hyster products are subject to change without notice. Lift trucks illustrated may feature optional equipment.