



WWW.HYSTER.COM

INTERNAL COMBUSTION COUNTERBALANCED FORKLIFT

PRODUCT BROCHURE

H2.0-3.5UT



FEATURES

1 HIGH STRENGTH OHG

Overhead guard featuring high strength profiled steel sections to enhance operator protection.

2 FULL SUSPENSION SEAT

Full suspension seat that offers excellent comfort, fitted with an operator's presence system as standard.

3 LOW STEP HEIGHT

Convenient step placing to suit a variety of driver heights to ensure easy access to the truck at all times.





4 WIDE VIEW MAST

The wide view mast delivers excellent visibility of the load and operator's forward field of view, optimising ergonomics and truck productivity.

5 SMALL STEERING WHEEL

The adjustable steering wheel is convenient for the operator, providing 8 degrees of tilt adjustment. Allowing for good manoeuvrability when working in confined spaces.

6 INDUSTRIAL ENGINE

The UT Mitsubishi Industrial engine provides good reliability and easy sourcing of replacement parts.

OVERVIEW

THE Hyster® UT Series provides the ideal solution to meet your less frequent USAGE needs, without compromising on performance.

The range

The range consists of 2,000 - 3,500 kg. IC counterbalance, pneumatic tyre forklift trucks, available in four different capacities:

2,000 KG – H2.0UT / 2,500 KG – H2.5UT

3,000 KG – H3.0UT / 3,500 KG – H3.5UT

Each model is available with diesel, LPG or dual-fuel power, a single-speed powershift transmission and a range of front end equipment options to suit varying application requirements.

Easy to operate

The ergonomically designed operator compartment, with a familiar automotive layout, means that drivers will be able to work comfortably.

A range of standard features and options help to ensure that the truck is configured to the needs of the application.

Serviceability

Due to the simplicity of the components and specifications, servicing can be carried out quickly and easily.

Low cost of ownership

The use of high quality, robust components, efficient filtration and excellent cooling helps contribute to reliable operations and lower wear and tear. This, together with the fast availability of cost-effective replacement parts helps to reduce service and maintenance requirements and costs.

Comfort

- Hyster special display with 3.5" LCD
- Large foot room on floor plate
- Dual suspension system
- Hand parking brake lever with button greatly reduces fatigue in operation
- Small diameter steering wheel with adjustable steering column

Safety and stability

- Wide view mast
- High strength overhead guard
- Muffler and engine protective system
- Low centre of gravity

Easy maintenance

- Large access area for service and repairs
- Simple components
- Computer-based diagnostics not required

Reliability and exchangeability

- Triplex plate overhead guard
- Exchangeable components across models

Environmental protection

- Noise isolation material
- Environmentally-aware design

FEATURES

ENGINEERED FOR DRIVERS WITH COMFORT, SAFETY AND ERGONOMICS



Hyster display with 3.5" LCD

- The Hyster UT Series Forklift adopts a 3.5" LCD display, providing convenient viewing of the display data when driving and operating



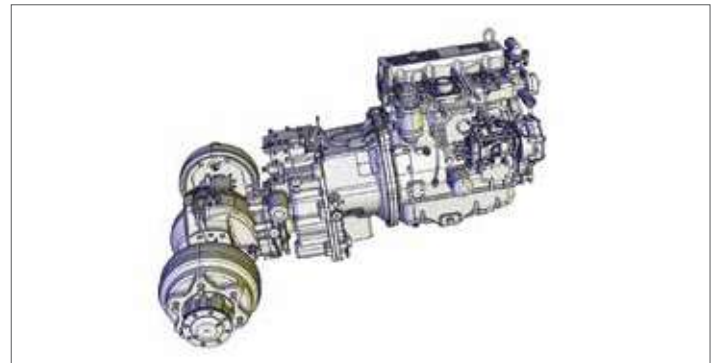
Hand parking brake

- Low effort to operate park brake lever
- Hand parking brake lever with button reduces operator fatigue



Large foot room

- Spacious foot room design provides comfort, convenience and safety
- Control pedals provide extra foot space which reduces operator fatigue and increases operator comfort



Dual suspension system

- The specialised dual-suspension system decreases vibration and noise
- Full floating safeguard/cabin system
- Engine vibration damper
- Suspended transmission replaces traditional rigid connections

FEATURES



Small diameter steering wheel with adjustable steer column

- The 300 mm diameter steering wheel is easy to manipulate, responsive, and ensures optimum mobility when working in a narrow space
- The ideally positioned steering wheel allows 8 degrees of adjustment, to suit a variety of different operators



High strength overhead guard

- Profiled steel overhead guard
- High strength roof with high strength glass enhances reliability and operator protection
- Mast composite roller structure



Wide view mast

- The wide view mast with an outside width of 720 mm, significantly improves the driver's front field of view, and increases the productivity and ergonomics of the operation



Large access area for service and repairs

- Large access space to engine compartment makes service and repairs more convenient

SERVICING



Suspension seat

- Full suspension seat offers excellent comfort
- Operator presence system as standard



Triplex plate overhead guard

- The overhead guard is developed using three pieces; left side, right side and top canopy making replacement more convenient



Exchangeable components

- Engine cover, instrument panel, display and most other components are exchangeable with other capacities in the same range
- Front fenders adaptable to single or dual wheel configuration

Improved lifting speed

- Competitive lifting speeds

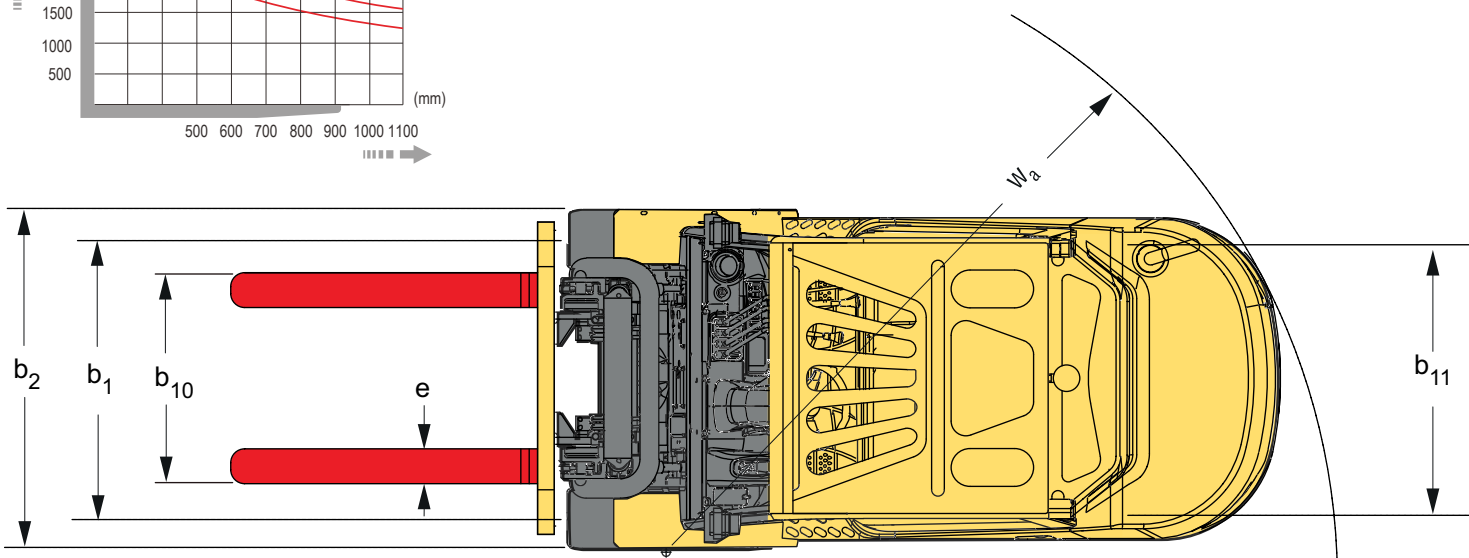
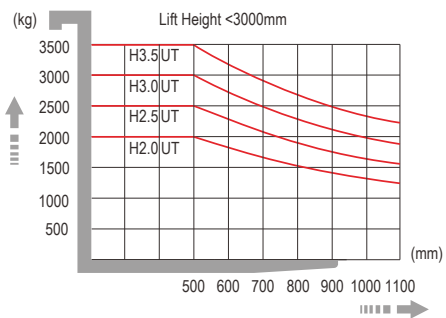
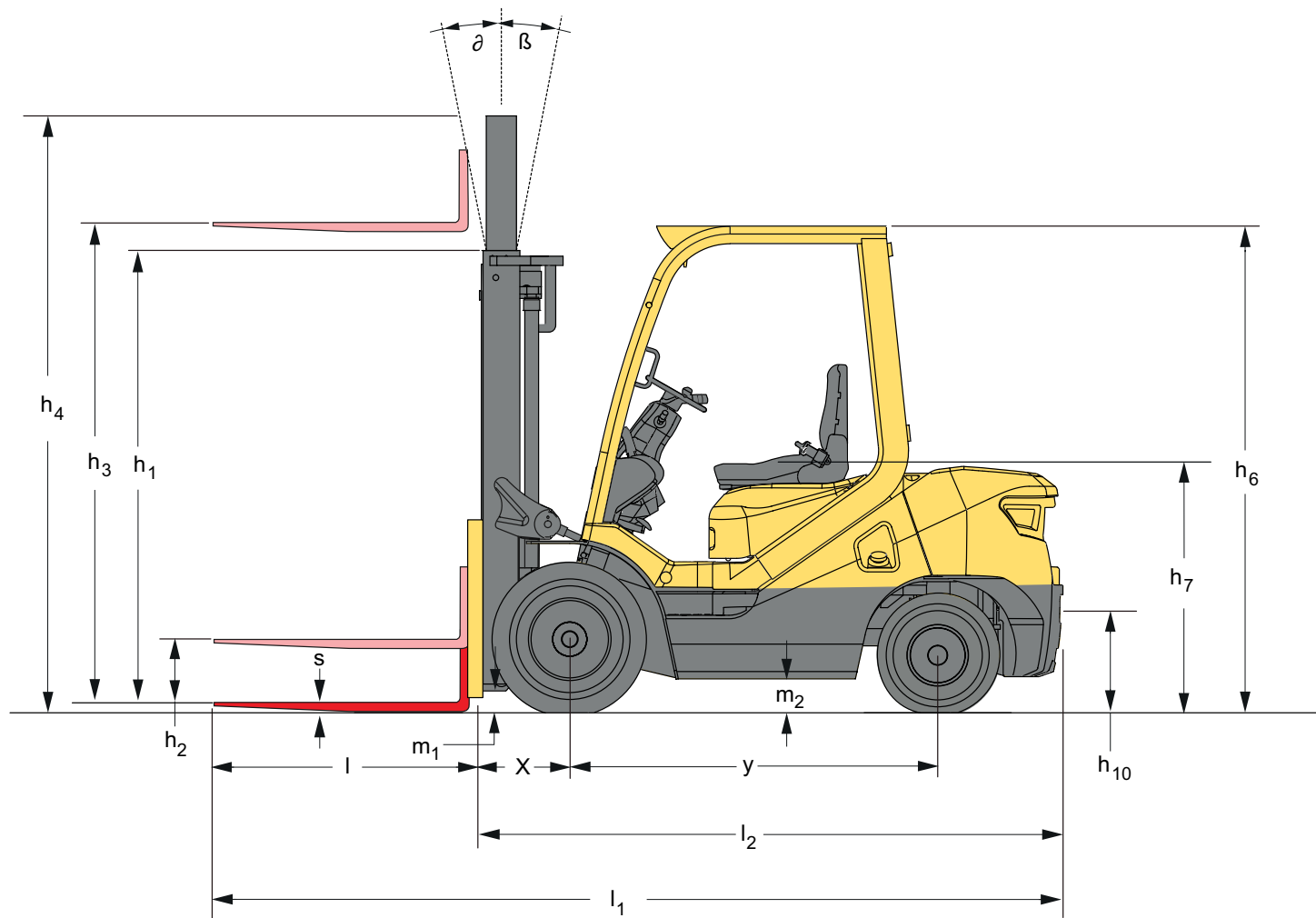
OPTIONS

HYSTER® UT Series trucks feature a comprehensive range of standard equipment, with a number of options available to suit the specific needs of your application, including:

- LPG, dual-fuel or diesel
- Pneumatic-shaped solid, or dual tyres
- Various fork lengths
- Integral sideshift
- Swing-out drop down LPG bracket
- Rear, LED work light
- Strobe light
- Backup alarm
- High air intake with pre-cleaner
- Tilt cylinder boots
- Various mast heights
- 3 way catalytic purifier on LPG engines
- Glass roof
- Front window with wiper

Please refer to the Price List for full option configurations.

TRUCK DIMENSIONS



H2.OUT | H2.5UT SPECIFICATIONS

DISTINGUISHING MARK	1.1	HYSTER				HYSTER						
	1.2	H2.OUT				H2.5UT						
1.2.1	Engine/transmission	Yanmar 2.6L	LS 2.5L	Hyundai 2.4L	GCT K25	Yanmar 2.6L	LS 2.5L	Hyundai 2.4L	GCT K25			
	1.3	Drive: electric (battery or mains), diesel, petrol, fuel gas	DIESEL	DIESEL	LPG	LPG / PETROL	DIESEL	DIESEL	LPG	LPG / PETROL		
1.4	Operator type: hand, pedestrian, standing, seated, order-picker	Seated				Seated						
1.5	Rated capacity/rated load	Q (kg)				2000						
1.6	Load center distance	c (mm)				500						
1.8	Load distance, centre of drive axle to fork	x (mm)				475						
1.9	Wheelbase	y (mm)				1600						
WEIGHT	2.1	Service weight	kg				3390					
	2.2	Axle loading, laden front/rear	kg				4760/630					
	2.3	Axle loading, unladen front/rear	kg				1540/1850					
TYRES, CHASSIS	3.1	Tyre type	Pneumatic				Pneumatic					
	3.2	Tyre size, front	7.00-12-12PR				7.00-12-12PR					
	3.3	Tyre size, rear	6.00-9-10PR				6.00-9-10PR					
	3.5	Wheels, number front/rear (X=drive wheels)	2X/2				2X/2					
	3.6	Tread, front	b10 (mm)				970					
DIMENSIONS	3.7	Tread, rear	b11 (mm)				980					
	4.1	Tilt of mast/fork carriage forward/backward	α / β (°)				6/12					
	4.2	Height, mast lowered	h1 (mm)				2010					
	4.3	Freelift	h2 (mm)				160					
	4.4	Lift	h3 (mm)				3000					
	4.5.1	Height of mast, extended w/o LBR	h4 (mm)				3575					
	4.5.2	Height of mast, extended w/ LBR	h4 (mm)				3990					
	4.7	Height of overhead guard	h6 (mm)				2180					
	4.8	Seat height/stand height	h7 (mm)				1167					
	4.12	Coupling height	h10 (mm)				250					
	4.19	Overall length	l1 (mm)				3630					
	4.20	Length to face of forks	l2 (mm)				2560					
	4.21	Overall width (standard/dual)	b1/b2 (mm)				1150 / 1590					
	4.22	Fork dimensions	s/e/l (mm)				40 x 122 x 1070					
	4.23	Fork carriage to DIN 15173, Class A/B	II A				II A					
	4.24	Fork carriage width	b3 (mm)				1040					
	4.31	Ground clearance, laden, below mast	m1 (mm)				125					
	4.32	Ground clearance, centre of wheelbase	m2 (mm)				150					
	PERFORMANCE DATA	4.34.1	Aisle width with pallets 1000 long x 1200 wide	Ast (mm)				3966				
		4.34.2	Aisle width with pallets 800 wide x 1200 long	Ast (mm)				3766	-200	3826	-200	
4.35		Turning radius	Wa (mm)				2290					
4.36		Internal turning radius	b13 (mm)				745					
4.42		Step height (from ground to running board)	k (mm)				430					
5.1		Travel speed, laden/unladen	km/h		19/19	18/18	19/19	19/19	18/18	19/19		
5.2		Lifting speed, laden/unladen	m/s		0.54/0.57	0.50/0.53	0.54/0.57	0.50/0.53	0.56/0.61	0.50/0.53		
5.3		Lowering speed, laden/unladen	m/s		0.43/0.40				0.45/0.41	0.43/0.40	0.45/0.41	
5.5		Maximum drawbar pull with/without load	N		12774/8761	25400/15500	22100/15000	16651/8761	12648/8450	25400/15500		
5.6.1		Drawbar pull, with/without load @ 1.6 km/h	N		12500/10500	21400/15000	19300/14500	15000/12000	13500/10500	21400/15000		
5.6.1	Drawbar pull with/without load @ 4.8 km/h	N		8879/7544	16300/14000	14600/13000	6872/7544	8879/7185	16300/14000			
5.7.1	Gradeability, with/without load, @ 1.6 km/h	%		23/25	22/26	26/26	25/25	22/25	22/26			
5.7.2	Gradeability, with/without load @ 4.8 km/h	%		10/22	20/25	25/25	13/22	9/19	20/25			
COMBUSTION-ENGINE	5.10	Service brake	Hydraulic				Hydraulic					
	7.1	Engine	Yanmar 2.6L	L4CRV-T6	HMC2.4L L4KB	GCT K25	Yanmar 2.6L	L4CRV-T6	HMC2.4L L4KB	GCT K25		
	7.2	Engine power according to ISO 1585	kW		33	42	43	37.4	33	42		
	7.3	Rated speed	min-1		2450	2300	2600	2300	2450	2300		
	7.4	Number of cylinders	4				4					
ADDITIONAL	7.4	Cylinder displacement	cm3		2659	2505	2359	2488	2659	2505		
	7.5	Fuel consumption according to VDI cycle	l/h or kg/h		3.5	3.7		3.3	3.64	3.8		
	8.1	Type of drive	Automatic				Automatic					
	10.1	Operating pressure of attachments	bar		0-175				0-175			
	10.2	Oil volume for attachments	l/min		64	65		64	64			
	10.3	Hydraulic oil tank capacity - initial fill	l		60				60			
	10.4.2	Fuel tank capacity	l		60				60			
	10.7.1	Sound pressure at driver's ear OHG	dB(A)		84		81.5		84		84	
10.7.3	Guaranteed sound power 2001/14/EC	dB(A)		104		100		103		104		
10.8	Towing coupling type	PIN				PIN						

H3.OUT | H3.5UT SPECIFICATIONS

		HYSTER H3.OUT				HYSTER H3.5UT							
		Yanmar 3.3L	LS 2.5L	Hyundai 2.4L	GCT K25	Yanmar 3.3L	LS 2.5L	Hyundai 2.4L	GCT K25				
DISTINGUISHING MARK	1.1	Manufacturer (abbreviation)		HYSTER				HYSTER					
	1.2	Model designation		H3.OUT				H3.5UT					
	1.2.1	Engine/transmission		Yanmar 3.3L	LS 2.5L	Hyundai 2.4L	GCT K25	Yanmar 3.3L	LS 2.5L	Hyundai 2.4L	GCT K25		
	1.3	Drive: electric (battery or mains), diesel, petrol, fuel gas		DIESEL	DIESEL	LPG	LPG / PETROL	DIESEL	DIESEL	LPG	LPG / PETROL		
	1.4	Operator type: hand, pedestrian, standing, seated, order-picker		Seated				Seated					
	1.5	Rated capacity/rated load		Q (kg)		3000		3500					
	1.6	Load center distance		c (mm)		500		500					
	1.8	Load distance, centre of drive axle to fork		x (mm)		490		510					
	1.9	Wheelbase		y (mm)		1700		1700					
WEIGHT	2.1	Service weight		kg		4300		4250		4300		4710	
	2.2	Axle loading, laden front/rear		kg		6490 / 810		6490 / 770		6490 / 810		7250 / 960	
	2.3	Axle loading, unladen front/rear		kg		1710 / 2590				1690 / 3020			
TYRES, CHASSIS	3.1	Tyre type		Pneumatic				Pneumatic					
	3.2	Tyre size, front		28x9-15-14PR				28x9-15-14PR					
	3.3	Tyre size, rear		6.50-10-10PR				6.50-10-10PR					
	3.5	Wheels, number front/rear (X=drive wheels)		2X/2				2X/2					
	3.6	Tread, front		b10 (mm)		1000		1000					
	3.7	Tread, rear		b11 (mm)		970	980	970	970	980	970		
DIMENSIONS	4.1	Tilt of mast/fork carriage forward/backward		α / β (°)		6/12		6/12					
	4.2	Height, mast lowered		h1 (mm)		2075		2150					
	4.3	Freelift		h2 (mm)		165		165		170		165	
	4.4	Lift		h3 (mm)		3000		3000					
	4.5.1	Height of mast, extended w/o LBR		h4 (mm)		3640		3700					
	4.5.2	Height of mast, extended w/ LBR		h4 (mm)		4100		4100					
	4.7	Height of overhead guard		h6 (mm)		2205		2205					
	4.8	Seat height/stand height		h7 (mm)		1192		1192					
	4.12	Coupling height		h10 (mm)		260	480	260	260	480	260		
	4.19	Overall length		l1 (mm)		3765		3804		3765		3850	
	4.20	Length to face of forks		l2 (mm)		2695		2734		2695		2780	
	4.21	Overall width (standard/dual)		b1/b2 (mm)		1210 / 1650				1210 / 1650			
	4.22	Fork dimensions		s/e/l (mm)		45 x122 x1070				45 x122 x1070			
	4.23	Fork carriage to DIN 15173, Class A/B		III A				III A					
	4.24	Fork carriage width		b3 (mm)		1100		1100					
	4.31	Ground clearance, laden, below mast		m1 (mm)		140	130	140	140	130	140		
	4.32	Ground clearance, centre of wheelbase		m2 (mm)		145		145					
	4.34.1	Aisle width with pallets 1000 long x 1200 wide		Ast (mm)		4126		4210					
4.34.2	Aisle width with pallets 800 wide x 1200 long		Ast (mm)		3926		-200		4010		-200		
4.35	Turning radius		Wa (mm)		2430		2500						
4.36	Internal turning radius		b13 (mm)		830		830						
4.42	Step height (from ground to running board)		k (mm)		455		455						
PERFORMANCE DATA	5.1	Travel speed, laden/unladen		km/h		19/20	18/18	19/19	18/19	19/20	18/18	19/19	18/19
	5.2	Lifting speed, laden/unladen		m/s		0.42/0.45	0.39/0.42	0.43/0.46	0.40/0.43	0.38/0.40	0.38/0.41	0.34/0.36	0.33/0.36
	5.3	Lowering speed, laden/unladen		m/s		0.40/0.38	0.38/0.37	0.37/0.36	0.40/0.38	0.45/0.38	0.38/0.37	0.37/0.36	0.45/0.38
	5.5	Maximum drawbar pull with/without load		N		20596/14800 (16941/9688)	24100/18000	20400/14000	17480/17480	17739/9870	24100/17500	20100/15000	16679/9870
	5.6.1	Drawbar pull, with/without load @ 1.6 km/h		N		17500/14000	20400/14000	17700/13000	15000/13000	16500/13000	20400/15000	17500/12500	14000/12000
	5.6.1	Drawbar pull with/without load @ 4.8 km/h		N		7319/8119	15500/11000	13200/9000	11500/11500	8968/8892	15500/9500	12000/1100	6906/8892
	5.7.1	Gradeability, with/without load, @ 1.6 km/h		%		24/25	20/25	23/25	20/25	19/25	20/24	17/25	
	5.7.2	Gradeability, with/without load @ 4.8 km/h		%		12/19	19.5/24	18/20	13/19	13/19	17/21	15/20	10/19
	5.10	Service brake		Hydraulic				Hydraulic					
	COMBUSTION-ENGINE	7.1	Engine		Yanmar 3.3L	L4CRV-T6	HMC2.4L L4KB	GCT K25	Yanmar 3.3L	L4CRV-T6	HMC2.4L L4KB	GCT K25	
7.2		Engine power according to ISO 1585		kW		42.1	42	43	37.4	42.1	42	43	37.4
7.3		Rated speed		min-1		2300	2300	2600	2300	2300	2300	2600	2300
7.4		Number of cylinders		4				4					
7.4		Cylinder displacement		cm3		3319	2505	2359	2488	3319	2505	2359	2488
7.5		Fuel consumption according to VDI cycle		l/h or kg/h		4.06	4.0	3.9	3.5	4.9	4.2	4.08	4.3
	8.1	Type of drive		Automatic				Automatic					
	10.1	Operating pressure of attachments		bar		0-175		0-175		0-195		0-175	
	10.2	Oil volume for attachments		ℓ/min		64		64					
	10.3	Hydraulic oil tank capacity - initial fill		ℓ		70		70					
	10.4.2	Fuel tank capacity		ℓ		70		70					
	10.7.1	Sound pressure at driver's ear OHG		dB(A)		84	81.5	84	88.5	84	81.5	81.7	
	10.7.3	Guaranteed sound power 2001/14/EC		dB(A)		104	100	103	104	104	100	103	
	10.8	Towing coupling type		PIN				PIN					

MAST AND CAPACITY INFORMATION

H2.OUT RATED CAPACITY KG @ 500 MM AND 600 MM LOAD CENTRE

	Maximum fork height $h_3 + s$ (mm)	Mast tilt		Lowered height h_1 (mm)	Extended height h_4 (mm) (1)	Extended height h_4 (mm) (2)	Free lift height $h_2 + s$ (mm) (1)	H2.OUT without sideshift			
		FWD tilt (°)	Back tilt (°)					Solid tyres		Pneumatic tyres	
								500 mm LC	600 mm LC	500 mm LC	600 mm LC
2-stage limited free lift	4000	6	6	2560	4575	4990	160	2000	1830	2000	1830
	4500	6	6	2810	5075	5490	160	1940	1740	1900	1740
	5000	6	6	3060	5575	5990	160	1800	1640	1800	1630
2 STG FFL	3000	6	12	2010	3590	3990	1420	2000	1830	2000	1830
3-stage full free lift	4500	6	6	2060	5017	5490	1440	1810	1650	1810	1640
	4800	6	6	2160	5317	5790	1540	1750	1590	1750	1580
	5500	3	6	2425	6017	6490	1800	1590	1440	1540	1430
	6000	3	6	2610	6517	6990	1990	1450	1320	1240	1250

H2.5UT RATED CAPACITY KG @ 500 MM AND 600 MM LOAD CENTRE

	Maximum fork height $h_3 + s$ (mm)	Mast tilt		Lowered height h_1 (mm)	Extended height h_4 (mm) (1)	Extended height h_4 (mm) (2)	Free lift height $h_2 + s$ (mm) (1)	H2.5UT without sideshift			
		FWD tilt (°)	Back tilt (°)					Solid tyres		Pneumatic tyres	
								500 mm LC	600 mm LC	500 mm LC	600 mm LC
2-stage limited free lift	4000	6	6	2560	4575	4990	160	2500	2300	2500	2300
	4500	6	6	2810	5075	5490	160	2390	2200	2390	2190
	5000	6	6	3060	5575	5990	160	2280	2080	2270	2070
2 STG FFL	3000	6	12	2010	3590	3990	1420	2500	2290	2500	2290
3-stage full free lift	4500	6	6	2060	5017	5490	1440	2300	2080	2290	2080
	4800	6	6	2160	5317	5790	1540	2220	2020	2100	2010
	5500	3	6	2425	6017	6490	1800	2020	1850	1550	1550
	6000	3	6	2610	6517	6990	1990	1620	1630	1200	1220

H3.OUT RATED CAPACITY KG @ 500 MM AND 600 MM LOAD CENTRE

	Maximum fork height $h_3 + s$ (mm)	Mast tilt		Lowered height h_1 (mm)	Extended height h_4 (mm) (1)	Extended height h_4 (mm) (2)	Free lift height $h_2 + s$ (mm) (1)	H3.OUT without sideshift			
		FWD tilt (°)	Back tilt (°)					Solid tyres		Pneumatic tyres	
								500 mm LC	600 mm LC	500 mm LC	600 mm LC
2-stage limited free lift	4000	6	6	2625	4640	5100	165	2860	2590	2850	2590
	4500	6	6	2875	5140	5600	165	2740	2480	2730	2480
	5000	6	6	3125	5640	6100	165	2600	2370	2350	2210
2 STG FFL	3000	6	12	2075	3650	4100	1425	2910	2650	2910	2650
3-stage full free lift	4500	6	6	2125	5100	5600	1525	2890	2780	2880	2690
	4800	6	6	2225	5400	5900	1625	2820	2730	2810	2650
	5500	3	6	2490	6100	6600	1880	2630	2610	2220	2180
	6000	3	6	2675	6600	7100	2075	2280	2250	1820	1800

H3.5UT RATED CAPACITY KG @ 500 MM AND 600 MM LOAD CENTRE

	Maximum fork height $h_3 + s$ (mm)	Mast tilt		Lowered height h_1 (mm)	Extended height h_4 (mm) (1)	Extended height h_4 (mm) (2)	Free lift height $h_2 + s$ (mm) (1)	H3.5UT without sideshift			
		FWD tilt (°)	Back tilt (°)					Solid tyres		Pneumatic tyres	
								500 mm LC	600 mm LC	500 mm LC	600 mm LC
2-stage limited free lift	4000	6	6	2700	4700	5100	170	3430	3340	3280	2990
	4500	6	6	2950	5200	5600	170	3320	3080	2770	2560
	5000	6	6	3200	5700	6100	170	2850	2640	2310	2160
2 STG FFL	3000	6	12	2150	3680	4100	1470	3500	3500	3500	3460
3-stage full free lift	4500	6	6	2200	5140	5600	1560	3380	3270	3290	3140
	4800	6	6	2300	5440	5900	1660	3310	3220	2920	2810
	5500	3	6	2526	6140	6600	1915	2760	2690	2180	2130
	6000	3	6	2750	6640	7100	2110	2240	2210	1720	1700

Note: For integral sideshift deduct 50 Kg from stated capacity, (1) = without LBR (2) with LBR, all ratings with 1070 mm forks

HYSTER® DEALERS



HYSTER PACIFIC

1/23 Rowood Road, Prospect NSW 2145
Tel: +61 (2) 9795 3800 Fax: +61 (2) 9792 8484

HYSTER ASIA

16 Tuas Avenue 20, Singapore 638827
Tel: +65 6863 3387 Fax: +65 6863 3349



/Hysterasiapacific



HysterAPIC



Hyster Asia-Pacific