

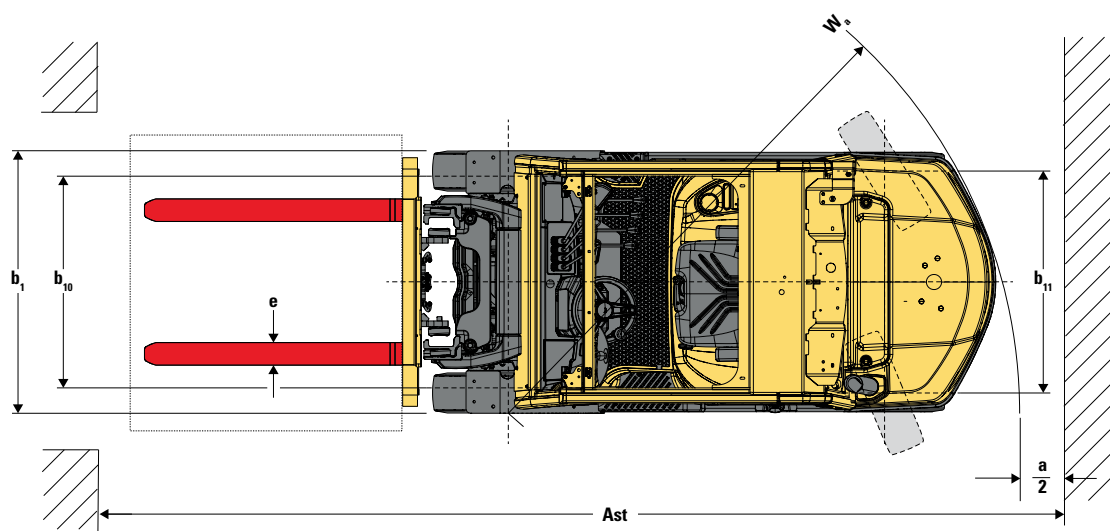
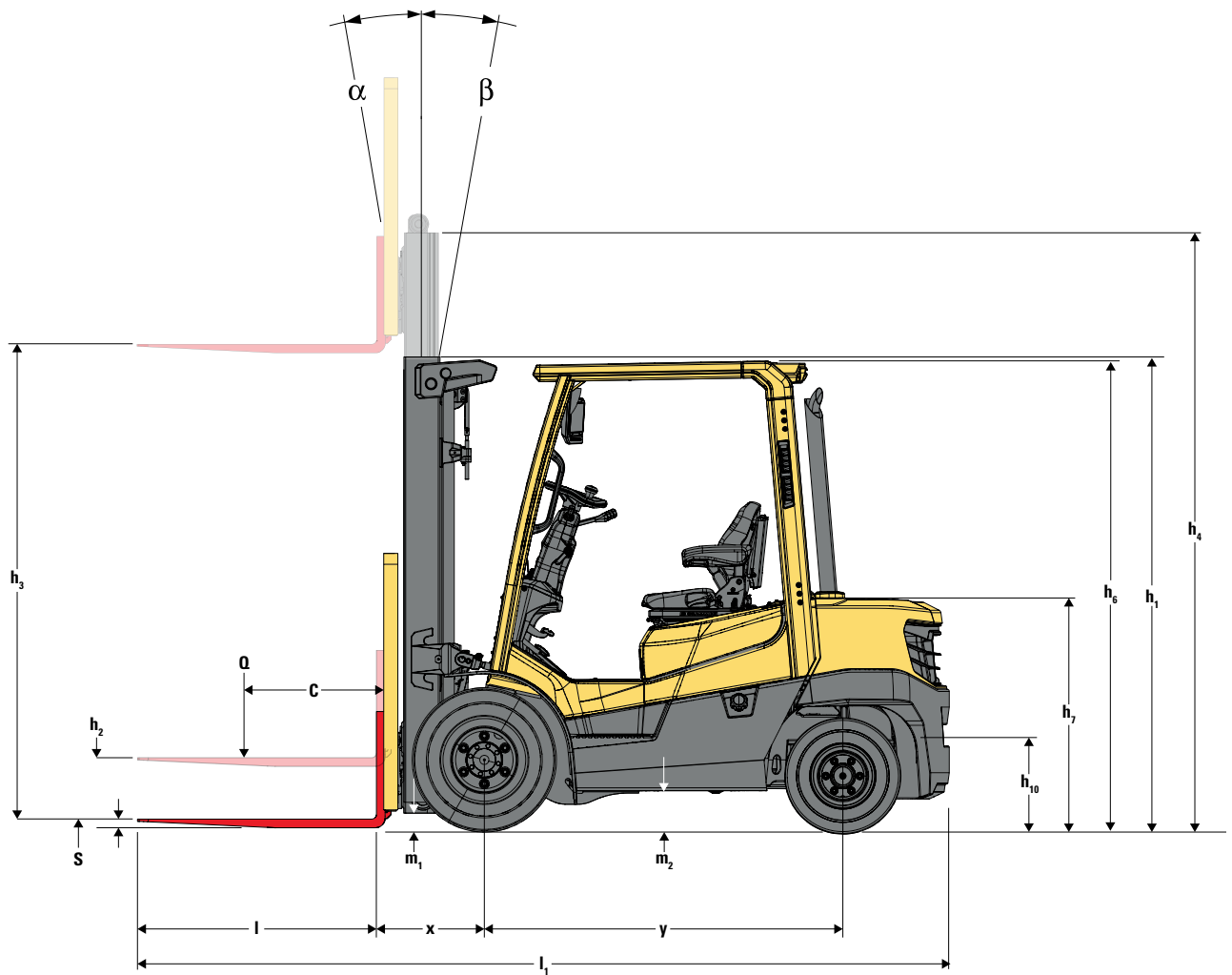
H2.0-3.5A



DIESEL AND LPG FORKLIFT TRUCKS PRODUCT TECHNICAL GUIDE







H2.0A DIESEL/LPG SPECIFICATIONS WITH MECHANICAL TRANSMISSION

GENERAL	1.1	Manufacturer			HYSTER	
	1.2	Model designation			H2.0A	
	1.2.1	Engine			Yanmar 2.1L Yanmar 3.0L Yanmar 2.2L	
	1.2.2	CE compliance / Emission standards			Stage V Non-Certified Non-Certified & Stage V	
	1.2.3	Transmission			Mechanical Powershift	
	1.2.4	Brake Type			Drum Brakes	
	1.3	Drive			Diesel LPG	
	1.4	Operator type			Seated	
	1.5	Rated capacity/rated load	Q	t	2.0	
	1.6	Load centre distance	c	mm	500	
	1.8	Load distance, centre of drive axle to fork	x	mm	475	
	1.9	Wheelbase	y	mm	1650	
	WEIGHT	2.1	Service weight			3480
		2.2	Axle loading laden, front/rear			4815 / 665
		2.3	Axle loading unladen, front/rear			1630 / 1850
WHEELS	3.1	Tyres, front/rear			Super Elastic	
	3.2	Tyre size, front			7.00 X 12	
	3.3	Tyre size, rear			6.00 X 9	
	3.5	Number of wheels, front/rear (X = driven)			2x / 2	
	3.6	Tread, front	b10	mm	976	
	3.7	Tread, rear	b11	mm	980	
	DIMENSIONS	4.1	Tilt of mast / fork carriage forward / backward	α / β	($^{\circ}$)	6 / 6
4.2		Height, mast lowered	h1	mm	2010	
4.3		Free lift (1)	h2	mm	160	
4.4		Lift (1)	h3	mm	3000	
4.5		Height, mast extended (2)	h4	mm	3575	
4.7		Height of overhead guard	h6	mm	2150	
4.8		Seat height relating to SIP/stand height (3)	h7	mm	1143	
4.12		Coupling height	h10	mm	420	
4.19		Overall length	l1	mm	3605	
4.20		Length to face of forks	l2	mm	2535	
4.21		Overall width (single / wide / dual)	b1	mm	1205 / 1590	
4.22		Fork dimensions DIN ISO 2331	s/e/l	mm	40 X 122 X 1070	
4.23		Fork carriage ISO 2328, class/type A, B			II A	
4.24		Fork carriage width (4)	b3	mm	1040	
4.31		Ground clearance, laden, below mast	m1	mm	115	
4.32		Ground clearance, centre of wheelbase	m2	mm	178	
4.34.1		Aisle width for pallets 1000 x 1200 crossways	Ast	mm	3960	
4.34.2		Aisle width for pallets 800 x 1200 lengthways	Ast	mm	3760	
4.35		Turning radius	Wa	mm	2285	
4.36		Internal turning radius	b13	mm	815	
4.41	90° intersecting aisle (with pallet W = 1200mm, L = 1000mm)			2052		
4.42	Step height (from ground to running board)		mm	440		
4.43	Step height (between intermediate steps between running board and floor)		mm	250		
PERFORMANCE	5.1	Travel speed, laden/unladen			18.0 / 19.0 18.0 / 18.0 18.0 / 19.0	
	5.1.1	Travel speed, laden/unladen, backwards			18.0 / 19.0 18.0 / 18.0 18.0 / 19.0	
	5.2	Lift speed, laden/unladen (5)			0.51 / 0.54	
	5.3	Lowering speed, laden/unladen			0.43 / 0.40 0.43 / 0.40 0.43 / 0.40	
	5.5	Drawbar pull, laden (6)			17000 16500 18500	
	5.7	Gradeability, laden/unladen (7)			22 / 26 25 / 26	
	5.9	Acceleration time, laden/unladen (to 15m)			4.4 / 4.0 4.5 / 4.0	
	5.10	Service brake			Hydraulic	
	7.1	Engine manufacturer / type			Yanmar / 4TNV86CT Yanmar / 4TNE94L Yanmar / 4TN88G/GN	
	7.2	Engine power according to ISO 1585	Kw		34.6 35.5 41.7	
7.3	Rated speed	min-1		2500 2400 2500		
7.3.1	Torque at 1 / min	(N-m/min)		167 / 1625 162 / 1500 174 / 1690		
7.4	Number of cylinders/displacement	(-) / (cm³)		4 / 2091 4 / 3053 4 / 2190		
7.5	Fuel consumption according to VDI 2198	ℓ/h or kg/h		2.6 3.0 2.6		
7.5.1	Fuel consumption according to VDI EN16796	ℓ/h or kg/h		NA		
7.6	Turnover output (Power / ECO)	(1 / h)		72 80		
ADDITIONAL DATA	8.1	Type of drive unit			Automatic	
	10.1	Operating pressure for attachments			175	
	10.2	Oil volume for attachments (8)			64	
	10.3	Hydraulic oil tank, capacity	l		42 52	
	10.4	Fuel tank, capacity	l		42 -	
	10.7	Sound pressure level at the driver's seat (9)	dB (A)		82	
	10.7.1	Guaranteed sound power 2001 / 14 / EC	dB (A)		NA	
	10.8	Towing coupling type			Pin	

H2.5A DIESEL/LPG SPECIFICATIONS WITH MECHANICAL TRANSMISSION

GENERAL	1.1	Manufacturer			HYSTER	
	1.2	Model designation			H2.5A	
	1.2.1	Engine			Yanmar 2.1L Yanmar 3.0L Yanmar 2.2L	
	1.2.2	CE compliance / Emission standards			Stage V Non-Certified Non-Certified & Stage V	
	1.2.3	Transmission			Mechanical Powershift	
	1.2.4	Brake Type			Drum Brakes	
	1.3	Drive			Diesel LPG	
	1.4	Operator type			Seated	
	1.5	Rated capacity/rated load	Q	t	2.5	
	1.6	Load centre distance	c	mm	500	
	1.8	Load distance, centre of drive axle to fork	x	mm	475	
	1.9	Wheelbase	y	mm	1650	
	WEIGHT	2.1	Service weight			3865
		2.2	Axle loading laden, front/rear			5593 / 772
		2.3	Axle loading unladen, front/rear			1615 / 2250
WHEELS	3.1	Tyres, front/rear			Super Elastic	
	3.2	Tyre size, front			7.00 X 12	
	3.3	Tyre size, rear			6.00 X 9	
	3.5	Number of wheels, front/rear (X = driven)			2x / 2	
	3.6	Tread, front	b ₁₀	mm	976	
	3.7	Tread, rear	b ₁₁	mm	980	
	DIMENSIONS	4.1	Tilt of mast / fork carriage forward / backward	α / β	(^o)	6 / 6
4.2		Height, mast lowered	h ₁	mm	2010	
4.3		Free lift ⁽¹⁾	h ₂	mm	160	
4.4		Lift ⁽¹⁾	h ₃	mm	3000	
4.5		Height, mast extended ⁽²⁾	h ₄	mm	3575	
4.7		Height of overhead guard	h ₆	mm	2150	
4.8		Seat height relating to SIP/stand height ⁽³⁾	h ₇	mm	1143	
4.12		Coupling height	h ₁₀	mm	420	
4.19		Overall length	l ₁	mm	3685	
4.20		Length to face of forks	l ₂	mm	2615	
4.21		Overall width (single / wide / dual)	b ₁	mm	1205 / 1590	
4.22		Fork dimensions DIN ISO 2331	s/e/l	mm	40 X 122 X 1070	
4.23		Fork carriage ISO 2328, class/type A, B			II A	
4.24		Fork carriage width ⁽⁴⁾	b ₃	mm	1040	
4.31		Ground clearance, laden, below mast	m ₁	mm	115	
4.32		Ground clearance, centre of wheelbase	m ₂	mm	178	
4.34.1		Aisle width for pallets 1000 x 1200 crossways	A _{st}	mm	4032	
4.34.2		Aisle width for pallets 800 x 1200 lengthways	A _{st}	mm	3832	
4.35		Turning radius	W _a	mm	2357	
4.36		Internal turning radius	b ₁₃	mm	815	
4.41		90° intersecting aisle (with pallet W = 1200mm, L = 1000mm)			2062	
4.42	Step height (from ground to running board)		mm	440		
4.43	Step height (between intermediate steps between running board and floor)		mm	250		
PERFORMANCE	5.1	Travel speed, laden/unladen			18.0 / 19.0 18.0 / 18.0 18.0 / 19.0	
	5.1.1	Travel speed, laden/unladen, backwards			18.0 / 19.0 18.0 / 18.0 18.0 / 19.0	
	5.2	Lift speed, laden/unladen ⁽⁵⁾			0.51 / 0.54	
	5.3	Lowering speed, laden/unladen			0.45 / 0.41 0.45 / 0.42 0.45 / 0.41	
	5.5	Drawbar pull, laden ⁽⁶⁾			19000 18500 20000	
	5.7	Gradeability, laden/unladen ⁽⁷⁾			20 / 24 24 / 25	
	5.9	Acceleration time, laden/unladen (to 15m)			4.3 / 4.1 4.5 / 4.1 4.6 / 4.1	
	5.10	Service brake			Hydraulic	
	COMBUSTION ENGINE	7.1	Engine manufacturer / type			Yanmar / 4TNV86CT Yanmar / 4TNE94L Yanmar / 4TN88G/GN
		7.2	Engine power according to ISO 1585	Kw		34.6 35.5 41.7
7.3		Rated speed	min-1		2500 2400 2500	
7.3.1		Torque at 1 / min	(N-m/min)		167 / 1625 162 / 1500 174 / 1690	
7.4		Number of cylinders/displacement	(-) / (cm ³)		4 / 2091 4 / 3053 4 / 2190	
7.5		Fuel consumption according to VDI 2198	ℓ/h or kg/h		2.8 3.3 2.8	
7.5.1		Fuel consumption according to VDI EN16796	ℓ/h or kg/h		NA	
7.6		Turnover output (Power / ECO)	(1 / h)		70 78	
ADDITIONAL DATA	8.1	Type of drive unit			Automatic	
	10.1	Operating pressure for attachments	bar		175	
	10.2	Oil volume for attachments ⁽⁸⁾	l/min		64	
	10.3	Hydraulic oil tank, capacity	l		42 52	
	10.4	Fuel tank, capacity	l		42 -	
	10.7	Sound pressure level at the driver's seat ⁽⁹⁾	dB (A)		82	
	10.7.1	Guaranteed sound power 2001 / 14 / EC	dB (A)		NA	
	10.8	Towing coupling type			Pin	

H3.0A DIESEL/LPG SPECIFICATIONS WITH MECHANICAL TRANSMISSION

	GENERAL			WEIGHT			WHEELS			DIMENSIONS			PERFORMANCE			COMBUSTION ENGINE			ADDITIONAL DATA			
	Code	Description	Unit	Value	Unit	Value	Code	Description	Unit	Value	Code	Description	Unit	Value	Code	Description	Unit	Value	Code	Description	Unit	Value
1.1	Manufacturer			HYSTER																		
1.2	Model designation			H3.0A																		
1.2.1	Engine			Yanmar 2.1L		Yanmar 3.3L	Yanmar 2.2L															
1.2.2	CE compliance / Emission standards			Stage V		Non-Certified	Non-Certified & Stage V															
1.2.3	Transmission			Mechanical Powershift																		
1.2.4	Brake Type			Drum Brakes																		
1.3	Drive			Diesel		LPG																
1.4	Operator type			Seated																		
1.5	Rated capacity/rated load	Q	t	3																		
1.6	Load centre distance	c	mm	500																		
1.8	Load distance, centre of drive axle to fork	x	mm	495																		
1.9	Wheelbase	y	mm	1700																		
2.1	Service weight		kg	4455																		
2.2	Axle loading laden, front/rear		kg	6545 / 910																		
2.3	Axle loading unladen, front/rear		kg	1795 / 2650																		
3.1	Tyres, front/rear			Super Elastic																		
3.2	Tyre size, front			28 X 9 - 15																		
3.3	Tyre size, rear			6.5 X 10																		
3.5	Number of wheels, front/rear (X = driven)			2x / 2																		
3.6	Tread, front	b ₁₀	mm	1004																		
3.7	Tread, rear	b ₁₁	mm	982																		
4.1	Tilt of mast / fork carriage forward / backward	α / β	(°)	6 / 6																		
4.2	Height, mast lowered	h ₁	mm	2075																		
4.3	Free lift (1)	h ₂	mm	165																		
4.4	Lift (1)	h ₃	mm	3000																		
4.5	Height, mast extended (2)	h ₄	mm	3640																		
4.7	Height of overhead guard	h ₆	mm	2175																		
4.8	Seat height relating to SIP/stand height (3)	h ₇	mm	1168																		
4.12	Coupling height	h ₁₀	mm	445																		
4.19	Overall length	l ₁	mm	3800																		
4.20	Length to face of forks	l ₂	mm	2730																		
4.21	Overall width (single / wide / dual)	b ₁	mm	1232 / 1730																		
4.22	Fork dimensions DIN ISO 2331	s/e/l	mm	45 X 122 X 1070																		
4.23	Fork carriage ISO 2328, class/type A, B			III A																		
4.24	Fork carriage width (4)	b ₃	mm	1100																		
4.31	Ground clearance, laden, below mast	m ₁	mm	130																		
4.32	Ground clearance, centre of wheelbase	m ₂	mm	203																		
4.34.1	Aisle width for pallets 1000 x 1200 crossways	A _{st}	mm	4151																		
4.34.2	Aisle width for pallets 800 x 1200 lengthways	A _{st}	mm	3951																		
4.35	Turning radius	W _a	mm	2461																		
4.36	Internal turning radius	b ₁₃	mm	825																		
4.41	90° intersecting aisle (with pallet W = 1200mm, L = 1000mm)			2127																		
4.42	Step height (from ground to running board)		mm	462																		
4.43	Step height (between intermediate steps between running board and floor)		mm	250																		
5.1	Travel speed, laden/unladen		km/h	19.0 / 20.0		18.0 / 19.0	19.0 / 20.0															
5.1.1	Travel speed, laden/unladen, backwards		km/h	19.0 / 20.0		18.0 / 19.0	19.0 / 20.0															
5.2	Lift speed, laden/unladen (5)		m/s	0.40 / 0.43																		
5.3	Lowering speed, laden/unladen		m/s	0.40 / 0.38		0.45 / 0.38																
5.5	Drawbar pull, laden (6)		N	19000		18000																
5.7	Gradeability, laden/unladen (7)		%	23 / 26		21 / 25																
5.9	Acceleration time, laden/unladen (to 15m)		s	4.5 / 4.1		4.6 / 4.1																
5.10	Service brake			Hydraulic																		
7.1	Engine manufacturer / type			Yanmar / 4TNV86CHT		Yanmar / 4TNE98	Yanmar / 4TN88G/GN															
7.2	Engine power according to ISO 1585		Kw	44		42																
7.3	Rated speed		min-1	2500		2300		2500														
7.3.1	Torque at 1 / min		(N-m/min)	202 / 1675		200 / 1700		174 / 1690														
7.4	Number of cylinders/displacement		(-) / (cm³)	4 / 2091		4 / 3053		4 / 2190														
7.5	Fuel consumption according to VDI 2198		ℓ/h or kg/h	3.1		4		3.8														
7.5.1	Fuel consumption according to VDI EN16796		ℓ/h or kg/h	NA																		
7.6	Turnover output (Power / ECO)		(1 / h)	76		73																
8.1	Type of drive unit			Automatic																		
10.1	Operating pressure for attachments		bar	175																		
10.2	Oil volume for attachments (8)		l/min	64																		
10.3	Hydraulic oil tank, capacity		l	64																		
10.4	Fuel tank, capacity		l	42		-																
10.7	Sound pressure level at the driver's seat (9)		dB (A)	82		83		82														
10.7.1	Guaranteed sound power 2001 / 14 / IEC		dB (A)	NA																		
10.8	Towing coupling type			Pin																		

H3.5A DIESEL/LPG SPECIFICATIONS WITH MECHANICAL TRANSMISSION

	GENERAL			WEIGHT			WHEELS			DIMENSIONS			PERFORMANCE			COMBUSTION ENGINE			ADDITIONAL DATA			
	Code	Description	Unit	Value	Unit	Value	Code	Description	Unit	Value	Code	Description	Unit	Value	Code	Description	Unit	Value	Code	Description	Unit	Value
1.1	Manufacturer			HYSTER																		
1.2	Model designation			H3.5A																		
1.2.1	Engine			Yanmar 2.1L	Yanmar 3.3L	Yanmar 2.2L																
1.2.2	CE compliance / Emission standards			Stage V	Non-Certified	Non-Certified & Stage V																
1.2.3	Transmission			Mechanical Powershift																		
1.2.4	Brake Type			Drum Brakes																		
1.3	Drive			Diesel		LPG																
1.4	Operator type			Seated																		
1.5	Rated capacity/rated load	Q	t	3.5																		
1.6	Load centre distance	c	mm	500																		
1.8	Load distance, centre of drive axle to fork	x	mm	510																		
1.9	Wheelbase	y	mm	1700																		
2.1	Service Weight		kg	4880																		
2.2	Axle loading laden, front/rear		kg	7380 / 1000																		
2.3	Axle loading unladen, front/rear		kg	1800 / 3070																		
3.1	Tyres, front/rear			Super Elastic																		
3.2	Tyre size, front			28 X 9 - 15																		
3.3	Tyre size, rear			6.5 X 10																		
3.5	Number of wheels, front/rear (X = driven)			2x / 2																		
3.6	Tread, front	b ₁₀	mm	1004																		
3.7	Tread, rear	b ₁₁	mm	982																		
4.1	Tilt of mast / fork carriage forward / backward	α / β	(^o)	6 / 6																		
4.2	Height, mast lowered	h ₁	mm	2075																		
4.3	Free lift (1)	h ₂	mm	165																		
4.4	Lift (1)	h ₃	mm	3000																		
4.5	Height, mast extended (2)	h ₄	mm	3640																		
4.7	Height of overhead guard	h ₆	mm	2175																		
4.8	Seat height relating to SIP/stand height (3)	h ₇	mm	1168																		
4.12	Coupling height	h ₁₀	mm	445																		
4.19	Overall length	l ₁	mm	3890																		
4.20	Length to face of forks	l ₂	mm	2820																		
4.21	Overall width (single / wide / dual)	b ₁	mm	1232 / 1730																		
4.22	Fork dimensions DIN ISO 2331	s/e/l	mm	45 X 122 X 1070																		
4.23	Fork carriage ISO 2328, class/type A, B			III A																		
4.24	Fork carriage width (4)	b ₃	mm	1100																		
4.31	Ground clearance, laden, below mast	m ₁	mm	130																		
4.32	Ground clearance, centre of wheelbase	m ₂	mm	203																		
4.34.1	Aisle width for pallets 1000 x 1200 crossways	A _{st}	mm	4244																		
4.34.2	Aisle width for pallets 800 x 1200 lengthways	A _{st}	mm	4044																		
4.35	Turning radius	W _a	mm	2534																		
4.36	Internal turning radius	b ₁₃	mm	825																		
4.41	90° intersecting aisle (with pallet W = 1200mm, L = 1000mm)			2170																		
4.42	Step height (from ground to running board)		mm	462																		
4.43	Step height (between intermediate steps between running board and floor)		mm	250																		
5.1	Travel speed, laden/unladen		km/h	19.0 / 20.0	18.0 / 19.0	19.0 / 20.0																
5.1.1	Travel speed, laden/unladen, backwards		km/h	19.0 / 20.0	18.0 / 19.0	19.0 / 20.0																
5.2	Lift speed, laden/unladen (5)		m/s	0.40 / 0.43	0.37 / 0.40	0.40 / 0.43																
5.3	Lowering speed, laden/unladen		m/s	0.45 / 0.38																		
5.5	Drawbar pull, laden (6)		N	21000		20000																
5.7	Gradeability, laden/unladen (7)		%	20 / 25		19 / 25																
5.9	Acceleration time, laden/unladen (to 15m)		s	4.8 / 4.2		5.8 / 4.7																
5.10	Service brake			Hydraulic																		
7.1	Engine manufacturer / type			Yanmar / 4TNV86CHT	Yanmar / 4TNE98	Yanmar / 4TN88G/GN																
7.2	Engine power according to ISO 1585		Kw	44	42																	
7.3	Rated speed		min-1	2500	2300	2500																
7.3.1	Torque at 1 / min		(N-m/min)	202 / 1675	200 / 1700	174 / 1690																
7.4	Number of cylinders/displacement		(-) / (cm ³)	4 / 2091	4 / 3053	4 / 2190																
7.5	Fuel consumption according to VDI 2198		l/h or kg/h	3.8	4.9	3.9																
7.5.1	Fuel consumption according to VDI EN16796		l/h or kg/h	NA																		
7.6	Turnover output (Power / ECO)		(1 / h)	74		72																
8.1	Type of drive unit			Automatic																		
10.1	Operating pressure for attachments		bar	175																		
10.2	Oil volume for attachments (8)		l/min	64																		
10.3	Hydraulic oil tank, capacity		l	64																		
10.4	Fuel tank, capacity		l	42		-																
10.7	Sound pressure level at the driver's seat (9)		dB (A)	82	83	82																
10.7.1	Guaranteed sound power 2001 / 14 / EC		dB (A)	NA																		
10.8	Towing coupling type			Pin																		

H2.0A DIESEL/LPG SPECIFICATIONS WITH ELECTRONIC TRANSMISSION

GENERAL	1.1	Manufacturer			HYSTER	
	1.2	Model designation			H2.0A	
	1.2.1	Engine			Yanmar 2.1L Yanmar 3.0L Yanmar 2.2L	
	1.2.2	CE compliance / Emission standards			Stage V Non-Certified Non-Certified & Stage V	
	1.2.3	Transmission			Electronic Powershift / DuraMatch™ 1-Speed	
	1.2.4	Brake Type			Drum Brakes	
	1.3	Drive			Diesel LPG	
	1.4	Operator type			Seated	
	1.5	Rated capacity/rated load	Q	t	2	
	1.6	Load centre distance	c	mm	500	
	1.8	Load distance, centre of drive axle to fork	x	mm	470	
	1.9	Wheelbase	y	mm	1650	
	WEIGHT	2.1	Service weight			3613
		2.2	Axle loading laden, front/rear			4981 / 632
		2.3	Axle loading unladen, front/rear			1805 / 1808
WHEELS	3.1	Tyres, front/rear			Super Elastic	
	3.2	Tyre size, front			7.00 X 12	
	3.3	Tyre size, rear			6.00 X 9	
	3.5	Number of wheels, front/rear (X = driven)			2x / 2	
	3.6	Tread, front	b ₁₀	mm	983	
	3.7	Tread, rear	b ₁₁	mm	958	
	DIMENSIONS	4.1	Tilt of mast / fork carriage forward / backward	α / β	(^o)	6 / 6
4.2		Height, mast lowered	h ₁	mm	2570	
4.3		Free lift (1)	h ₂	mm	50	
4.4		Lift (1)	h ₃	mm	3900	
4.5		Height, mast extended (2)	h ₄	mm	4500	
4.7		Height of overhead guard	h ₆	mm	2160	
4.8		Seat height relating to SIP/stand height (3)	h ₇	mm	1145	
4.12		Coupling height	h ₁₀	mm	440	
4.19		Overall length	l ₁	mm	3534	
4.20		Length to face of forks	l ₂	mm	2534	
4.21		Overall width (single / wide / dual)	b ₁	mm	1160 / 1280 / 1542	
4.22		Fork dimensions DIN ISO 2331	s/e/l	mm	40 X 100 X 1000	
4.23		Fork carriage ISO 2328, class/type A, B			II A	
4.24		Fork carriage width (4)	b ₃	mm	1070	
4.31		Ground clearance, laden, below mast	m ₁	mm	130	
4.32		Ground clearance, centre of wheelbase	m ₂	mm	160	
4.34.1		Aisle width for pallets 1000 x 1200 crossways	A _{st}	mm	3861	
4.34.2		Aisle width for pallets 800 x 1200 lengthways	A _{st}	mm	4061	
4.35		Turning radius	W _a	mm	2191	
4.36		Internal turning radius	b ₁₃	mm	640	
4.41	90° intersecting aisle (with pallet W = 1200mm, L = 1000mm)			2018		
4.42	Step height (from ground to running board)		mm	440		
4.43	Step height (between intermediate steps between running board and floor)		mm	250		
PERFORMANCE	5.1	Travel speed, laden/unladen			18.5 / 18.7 7.5 / 17.8 18.5 / 18.7	
	5.1.1	Travel speed, laden/unladen, backwards			18.8 / 19.0 17.7 / 18.1 18.8 / 19.0	
	5.2	Lift speed, laden/unladen (5)			0.61 / 0.65 0.6 / 0.65 0.61 / 0.65	
	5.3	Lowering speed, laden/unladen			0.58 / 0.5 0.58 / 0.49 0.58 / 0.50	
	5.5	Drawbar pull, laden (6)		N	15917 15233 17304	
	5.7	Gradeability, laden/unladen (7)		%	30 / 30 29 / 30 33 / 30	
	5.9	Acceleration time, laden/unladen (to 15m)		s	5.2 / 4.7 5.05 / 4.48 5.4 / 4.3	
	5.10	Service brake			Hydraulic	
	COMBUSTION ENGINE	7.1	Engine manufacturer / type			Yanmar / 4TNV86CT Yanmar / 4TNE94L Yanmar / 4TN88G/GN
		7.2	Engine power according to ISO 1585		Kw	36.6 34.1 42
7.3		Rated speed		min-1	2500 2200 2500	
7.3.1		Torque at 1 / min		(N-m/min)	167 / 1625 162 / 1500 174 / 1690	
7.4		Number of cylinders/displacement		(-) / (cm³)	4 / 2091 4 / 3053 4 / 2190	
7.5		Fuel consumption according to VDI 2198		l/h or kg/h	2.5 / 2.3 3.15 / 2.72 2.4 / 2.2	
7.5.1		Fuel consumption according to VDI EN16796		l/h or kg/h	2.1 / 2.0 2.81 / 2.42 2.1 / 2.0	
7.6		Turnover output (Power / ECO)		(1 / h)	92 / 83 N/A 96 / 85	
ADDITIONAL DATA	8.1	Type of drive unit			Automatic	
	10.1	Operating pressure for attachments		bar	175	
	10.2	Oil volume for attachments (8)		l/min	64	
	10.3	Hydraulic oil tank, capacity		l	34.2 40.6	
	10.4	Fuel tank, capacity		l	39.9 -	
	10.7	Sound pressure level at the driver's seat (9)		dB (A)	78 82 77	
	10.7.1	Guaranteed sound power 2001 / 14 / EC		dB (A)	101 N/A 101	
	10.8	Towing coupling type			Pin	

H2.5A DIESEL/LPG SPECIFICATIONS WITH ELECTRONIC TRANSMISSION

GENERAL	1.1	Manufacturer			HYSTER		
	1.2	Model designation			H2.5A		
	1.2.1	Engine		Yanmar 2.1L	Yanmar 3.0L	Yanmar 2.2L	
	1.2.2	CE compliance / Emission standards		Stage V	Non-Certified	Non-Certified & Stage V	
	1.2.3	Transmission		Electronic Powershift / DuraMatch™ 1-Speed			
	1.2.4	Brake Type		Drum Brakes			
	1.3	Drive		Diesel		LPG	
	1.4	Operator type		Seated			
	1.5	Rated capacity/rated load	Q	t	2.5		
	1.6	Load centre distance	c	mm	500		
	1.8	Load distance, centre of drive axle to fork	x	mm	470		
	1.9	Wheelbase	y	mm	1650		
	WEIGHT	2.1	Service weight		kg	3990	
		2.2	Axle loading laden, front/rear		kg	5698 / 792	
		2.3	Axle loading unladen, front/rear		kg	1728 / 2262	
WHEELS	3.1	Tyres, front/rear		Super Elastic			
	3.2	Tyre size, front		7.00 X 12			
	3.3	Tyre size, rear		6.00 X 9			
	3.5	Number of wheels, front/rear (X = driven)		2x / 2			
	3.6	Tread, front	b ₁₀	mm	983		
	3.7	Tread, rear	b ₁₁	mm	958		
	DIMENSIONS	4.1	Tilt of mast / fork carriage forward / backward	α / β	(^o)	6 / 6	
4.2		Height, mast lowered	h ₁	mm	2570		
4.3		Free lift ⁽¹⁾	h ₂	mm	50		
4.4		Lift ⁽¹⁾	h ₃	mm	3900		
4.5		Height, mast extended ⁽²⁾	h ₄	mm	4500		
4.7		Height of overhead guard	h ₆	mm	2160		
4.8		Seat height relating to SIP/stand height ⁽³⁾	h ₇	mm	1145		
4.12		Coupling height	h ₁₀	mm	440		
4.19		Overall length	l ₁	mm	3610		
4.20		Length to face of forks	l ₂	mm	2610		
4.21		Overall width (single / wide / dual)	b ₁	mm	1160 / 1280 / 1542		
4.22		Fork dimensions DIN ISO 2331	s/e/l	mm	40 X 100 X 1000		
4.23		Fork carriage ISO 2328, class/type A, B			II A		
4.24		Fork carriage width ⁽⁴⁾	b ₃	mm	1070		
4.31		Ground clearance, laden, below mast	m ₁	mm	130		
4.32		Ground clearance, centre of wheelbase	m ₂	mm	160		
4.34.1		Aisle width for pallets 1000 x 1200 crossways	A _{st}	mm	3933		
4.34.2		Aisle width for pallets 800 x 1200 lengthways	A _{st}	mm	4133		
4.35		Turning radius	W _a	mm	2263		
4.36		Internal turning radius	b ₁₃	mm	640		
4.41	90° intersecting aisle (with pallet W = 1200mm, L = 1000mm)			2057			
4.42	Step height (from ground to running board)		mm	440			
4.43	Step height (between intermediate steps between running board and floor)		mm	250			
PERFORMANCE	5.1	Travel speed, laden/unladen		km/h	18.4 / 18.7	17.3 / 17.8	18.4 / 18.7
	5.1.1	Travel speed, laden/unladen, backwards		km/h	18.7 / 19.0	17.6 / 18.1	18.7 / 19.0
	5.2	Lift speed, laden/unladen ⁽⁵⁾		m/s	0.60 / 0.65	0.59 / 0.65	0.60 / 0.65
	5.3	Lowering speed, laden/unladen		m/s	0.58 / 0.50	0.58 / 0.49	0.58 / 0.50
	5.5	Drawbar pull, laden ⁽⁶⁾		N	15758	15074	17145
	5.7	Gradeability, laden/unladen ⁽⁷⁾		%	26 / 26	24 / 26	28 / 26
	5.9	Acceleration time, laden/unladen (to 15m)		s	5.5 / 4.8	5.27 / 4.88	5.9 / 4.5
5.10	Service brake			Hydraulic			
COMBUSTION ENGINE	7.1	Engine manufacturer / type		Yanmar / 4TNV86CT	Yanmar / 4TNE94L	Yanmar / 4TN88G/GN	
	7.2	Engine power according to ISO 1585		Kw	36.6	34.1	42
	7.3	Rated speed		min-1	2500	2200	2500
	7.3.1	Torque at 1 / min		(N-m/min)	167 / 1625	162 / 1500	174 / 1690
	7.4	Number of cylinders/displacement		(-) / (cm³)	4 / 2091	4 / 3053	4 / 2190
	7.5	Fuel consumption according to VDI 2198		l/h or kg/h	2.9 / 2.7	3.52 / 3.14	2.7 / 2.5
	7.5.1	Fuel consumption according to VDI EN16796		l/h or kg/h	2.5 / 2.3	3.14 / 2.8	2.4 / 2.2
7.6	Turnover output (Power / ECO)		(l / h)	92 / 83	NA	96 / 85	
ADDITIONAL DATA	8.1	Type of drive unit		Automatic			
	10.1	Operating pressure for attachments		bar	180		
	10.2	Oil volume for attachments ⁽⁸⁾		l/min	60		
	10.3	Hydraulic oil tank, capacity		l	34.2	40.6	
	10.4	Fuel tank, capacity		l	39.9	N/A	-
	10.7	Sound pressure level at the driver's seat ⁽⁹⁾		dB (A)	78	82	77
	10.7.1	Guaranteed sound power 2001 / 14 / EC		dB (A)	101	N/A	101
	10.8	Towing coupling type			Pin		

H3.0A DIESEL/LPG SPECIFICATIONS WITH ELECTRONIC TRANSMISSION

GENERAL	1.1	Manufacturer			HYSTER		
	1.2	Model designation			H3.0A		
	1.2.1	Engine		Yanmar 2.1L	Yanmar 3.3L	Yanmar 2.2L	
	1.2.2	CE compliance / Emission standards		Stage V	Non-Certified	Non-Certified & Stage V	
	1.2.3	Transmission		Electronic Powershift / DuraMatch™ 1-Speed			
	1.2.4	Brake Type		Drum Brakes			
	1.3	Drive		Diesel		LPG	
	1.4	Operator type		Seated			
	1.5	Rated capacity/rated load	Q	t	3		
	1.6	Load centre distance	c	mm	500		
	1.8	Load distance, centre of drive axle to fork	x	mm	495		
	1.9	Wheelbase	y	mm	1700		
	WEIGHT	2.1	Service weight		kg	4642	
		2.2	Axle loading laden, front/rear		kg	6635 / 1007	
		2.3	Axle loading unladen, front/rear		kg	1880 / 2762	
WHEELS	3.1	Tyres, front/rear		Super Elastic			
	3.2	Tyre size, front		28 X 9 - 15			
	3.3	Tyre size, rear		6.5 X 10			
	3.5	Number of wheels, front/rear (X = driven)		2x / 2			
	3.6	Tread, front	b ₁₀	mm	959		
	3.7	Tread, rear	b ₁₁	mm	958		
	DIMENSIONS	4.1	Tilt of mast / fork carriage forward / backward	α / β	(^o)	6 / 6	
4.2		Height, mast lowered	h ₁	mm	2692		
4.3		Free lift ⁽¹⁾	h ₂	mm	50		
4.4		Lift ⁽¹⁾	h ₃	mm	3880		
4.5		Height, mast extended ⁽²⁾	h ₄	mm	4552		
4.7		Height of overhead guard	h ₆	mm	2182		
4.8		Seat height relating to SIP/stand height ⁽³⁾	h ₇	mm	1167		
4.12		Coupling height	h ₁₀	mm	462		
4.19		Overall length	l ₁	mm	3746		
4.20		Length to face of forks	l ₂	mm	2746		
4.21		Overall width (single / wide / dual)	b ₁	mm	1186 / 1353 / 1545		
4.22		Fork dimensions DIN ISO 2331	s/e/l	mm	50 X 120 X 1000		
4.23		Fork carriage ISO 2328, class/type A, B			III A		
4.24		Fork carriage width ⁽⁴⁾	b ₃	mm	1070		
4.31		Ground clearance, laden, below mast	m ₁	mm	152		
4.32		Ground clearance, centre of wheelbase	m ₂	mm	182		
4.34.1		Aisle width for pallets 1000 x 1200 crossways	A _{st}	mm	4069		
4.34.2		Aisle width for pallets 800 x 1200 lengthways	A _{st}	mm	4269		
4.35		Turning radius	W _a	mm	2374		
4.36		Internal turning radius	b ₁₃	mm	660		
4.41	90° intersecting aisle (with pallet W = 1200mm, L = 1000mm)			2110			
4.42	Step height (from ground to running board)		mm	462			
4.43	Step height (between intermediate steps between running board and floor)		mm	250			
PERFORMANCE	5.1	Travel speed, laden/unladen		km/h	18.4 / 18.6		
	5.1.1	Travel speed, laden/unladen, backwards		km/h	18.7 / 18.9		
	5.2	Lift speed, laden/unladen ⁽⁵⁾		m/s	0.56 / 0.61	0.51 / 0.57	0.56 / 0.61
	5.3	Lowering speed, laden/unladen		m/s	0.58 / 0.53		
	5.5	Drawbar pull, laden ⁽⁶⁾		N	19160	19867	16766
	5.7	Gradeability, laden/unladen ⁽⁷⁾		%	26 / 24	27 / 24	23 / 24
	5.9	Acceleration time, laden/unladen (to 15m)		s	5.3 / 4.7	5.24 / 4.53	5.2 / 4.5
	5.10	Service brake			Hydraulic		
	COMBUSTION ENGINE	7.1	Engine manufacturer / type		Yanmar / 4TNV86CHT	Yanmar / 4TNE98	Yanmar / 4TN88G/GN
		7.2	Engine power according to ISO 1585		Kw	44	42.4
7.3		Rated speed		min-1	2500	2300	2500
7.3.1		Torque at 1 / min		(N-m/min)	202 / 1675	190 / 1700	174 / 1690
7.4		Number of cylinders/displacement		(-) / (cm ³)	4 / 2091	4 / 3053	4 / 2190
7.5		Fuel consumption according to VDI 2198		ℓ/h or kg/h	3.2 / 2.9	4.26 / 3.84	3.2 / 2.9
7.5.1		Fuel consumption according to VDI EN16796		ℓ/h or kg/h	2.6 / 2.4	3.79 / 3.42	2.8 / 2.6
7.6		Turnover output (Power / ECO)		(1 / h)	90 / 82	NA	95 / 84
ADDITIONAL DATA	8.1	Type of drive unit		Automatic			
	10.1	Operating pressure for attachments		bar	180		
	10.2	Oil volume for attachments ⁽⁸⁾		l/min	60		
	10.3	Hydraulic oil tank, capacity		l	34.2	40.6	
	10.4	Fuel tank, capacity		l	39.9		-
	10.7	Sound pressure level at the driver's seat ⁽⁹⁾		dB (A)	79	82	77
	10.7.1	Guaranteed sound power 2001 / 14 / EC		dB (A)	101	N/A	101
	10.8	Towing coupling type			Pin		

H3.5A DIESEL/LPG SPECIFICATIONS WITH ELECTRONIC TRANSMISSION

	GENERAL			WEIGHT			WHEELS			DIMENSIONS			PERFORMANCE			COMBUSTION ENGINE			ADDITIONAL DATA			
	Code	Description	Unit	Value	Unit	Value	Code	Description	Unit	Value	Code	Description	Unit	Value	Code	Description	Unit	Value	Code	Description	Unit	Value
1.1	Manufacturer			HYSTER																		
1.2	Model designation			H3.5A																		
1.2.1	Engine			Yanmar 2.1L	Yanmar 3.3L	Yanmar 2.2L																
1.2.2	CE compliance / Emission standards			Stage V	Non-Certified	Non-Certified & Stage V																
1.2.3	Transmission			Electronic Powershift / DuraMatch™ 1-Speed																		
1.2.4	Brake Type			Drum Brakes																		
1.3	Drive			Diesel		LPG																
1.4	Operator type			Seated																		
1.5	Rated capacity/rated load	Q	t	3.5																		
1.6	Load centre distance	c	mm	500																		
1.8	Load distance, centre of drive axle to fork	x	mm	495																		
1.9	Wheelbase	y	mm	1700																		
2.1	Service weight		kg	4910																		
2.2	Axle loading laden, front/rear		kg	7230 / 1180																		
2.3	Axle loading unladen, front/rear		kg	1683 / 3227																		
3.1	Tyres, front/rear			Super Elastic																		
3.2	Tyre size, front			28 X 9 - 15																		
3.3	Tyre size, rear			6.5 X 10																		
3.5	Number of wheels, front/rear (X = driven)			2x / 2																		
3.6	Tread, front	b ₁₀	mm	959																		
3.7	Tread, rear	b ₁₁	mm	958																		
4.1	Tilt of mast / fork carriage forward / backward	α / β	(°)	6 / 6																		
4.2	Height, mast lowered	h ₁	mm	2692																		
4.3	Free lift (1)	h ₂	mm	50																		
4.4	Lift (1)	h ₃	mm	3880																		
4.5	Height, mast extended (2)	h ₄	mm	4552																		
4.7	Height of overhead guard	h ₆	mm	2182																		
4.8	Seat height relating to SIP/stand height (3)	h ₇	mm	1167																		
4.12	Coupling height	h ₁₀	mm	462																		
4.19	Overall length	l ₁	mm	3813																		
4.20	Length to face of forks	l ₂	mm	2813																		
4.21	Overall width (single / wide / dual)	b ₁	mm	1186 / 1353 / 1545																		
4.22	Fork dimensions DIN ISO 2331	s/e/l	mm	50 X 120 X 1000																		
4.23	Fork carriage ISO 2328, class/type A, B			III A																		
4.24	Fork carriage width (4)	b ₃	mm	1070																		
4.31	Ground clearance, laden, below mast	m ₁	mm	152																		
4.32	Ground clearance, centre of wheelbase	m ₂	mm	182																		
4.34.1	Aisle width for pallets 1000 x 1200 crossways	A _{st}	mm	4144																		
4.34.2	Aisle width for pallets 800 x 1200 lengthways	A _{st}	mm	4344																		
4.35	Turning radius	W _a	mm	2449																		
4.36	Internal turning radius	b ₁₃	mm	660																		
4.41	90° intersecting aisle (with pallet W = 1200mm, L = 1000mm)			2149																		
4.42	Step height (from ground to running board)		mm	462																		
4.43	Step height (between intermediate steps between running board and floor)		mm	250																		
5.1	Travel speed, laden/unladen		km/h	18.4 / 18.6																		
5.1.1	Travel speed, laden/unladen, backwards		km/h	18.7 / 18.9																		
5.2	Lift speed, laden/unladen (5)		m/s	0.56 / 0.61	0.50 / 0.57	0.56 / 0.61																
5.3	Lowering speed, laden/unladen		m/s	0.58 / 0.53																		
5.5	Drawbar pull, laden (6)		N	19021	19728	16626																
5.7	Gradeability, laden/unladen (7)		%	24 / 20	25 / 20	21 / 20																
5.9	Acceleration time, laden/unladen (to 15m)		s	5.5 / 4.8	5.42 / 4.59	5.3 / 4.6																
5.10	Service brake			Hydraulic																		
7.1	Engine manufacturer / type			Yanmar / 4TNV86CHT	Yanmar / 4TNE98	Yanmar / 4TN88G/GN																
7.2	Engine power according to ISO 1585		Kw	44	42.4	42																
7.3	Rated speed		min-1	2500	2300	2500																
7.3.1	Torque at 1 / min		(N-m/min)	202 / 1675	190 / 1700	174 / 1690																
7.4	Number of cylinders/displacement		(-) / (cm³)	4 / 2091	4 / 3053	4 / 2190																
7.5	Fuel consumption according to VDI 2198		ℓ/h or kg/h	3.5 / 3.2	4.80 / 4.34	3.5 / 3.2																
7.5.1	Fuel consumption according to VDI EN16796		ℓ/h or kg/h	2.9 / 2.6	4.03 / 3.87	3.1 / 2.8																
7.6	Turnover output (Power / ECO)		(1 / h)	89 / 81	NA	95 / 84																
8.1	Type of drive unit			Automatic																		
10.1	Operating pressure for attachments		bar	180																		
10.2	Oil volume for attachments (8)		l/min	60																		
10.3	Hydraulic oil tank, capacity		l	34.2	40.6																	
10.4	Fuel tank, capacity		l	39.9																		
10.7	Sound pressure level at the driver's seat (9)		dB (A)	79	82	77																
10.7.1	Guaranteed sound power 2001 / 14 / EC		dB (A)	101	N/A	101																
10.8	Towing coupling type			Pin																		





NOTES

- (1) = Top of forks.
 (2) = Without load backrest.
 (3) = Full suspension seat to manufacturers SIP.
 (4) = Add 32mm with load backrest.
 (5) = Constant displacement hydraulic pump (CDP).
 (6) = At 1.6km/h.
 (7) = At 4.8km/h.
 (8) = Variable.
 (9) = LPAZ, measured according to the test cycles and based on the weighting values contained in EN12053.

Spec sheet truck based on:- 3290mm (H2.0-2.5 A) / 3105mm (H3.0-3.5 A) TOF 2 stage LFL Mast with standard carriage, 1000 mm forks with manual levers. Including optional Noise Reduction Package.

CERTIFICATION: Hyster lift trucks meet the design and construction requirements of B56.1-1969, per OSHA Section 1910.178(a)(2), and also comply with the B56.1 revision in effect at time of manufacture. Certification of compliance with the applicable ANSI standards appears on the lift truck. Performance specifications are for a truck equipped as described under Standard Equipment on this technical guide. Performance specifications are affected by the condition of the vehicle and how it is equipped, as well as by the nature, condition of the operating area, proper service and maintenance of the vehicle. If these specifications are critical, the proposed application should be discussed with your dealer.

MAST AND CAPACITY INFORMATION WITH MECHANICAL TRANSMISSION

H2.0A RATED CAPACITY @ 500MM LOAD CENTRE

Type	Maximum Fork Lift (mm)	Lowered Height (mm)	Extended Height without LBR (mm)	Extended Height with 1220 LBR (mm)	Free Lift Height without LBR (mm)	Back tilt (°)	Capacities (kg) @ 500mm Load Centre			
							Pneumatic Shaped Solid Tyres		Pneumatic Radial Tyres	
							Without sideshift (kg)	With sideshift (kg)	Without sideshift (kg)	With sideshift (kg)
2-STAGE LIMITED FREE LIFT	3000	2010	3575	3990	160	6	2000	2000	2000	2000
	3300	2160	3875	4290	160	6	2000	2000	2000	2000
	3500	2260	4075	4490	160	6	2000	2000	2000	1970
	3700	2360	4275	4690	160	6	2000	2000	2000	1940
	4000	2560	4575	4990	160	6	2000	1980	2000	1920
	4500	2810	5075	5490	160	6	1900	1840	1840	1770
	5000	3060	5575	5990	160	6	1790	1750	1610	1570
2-STAGE FULL FREE LIFT	5500	3360	6075	6490	160	6	1510	1480	1150	1120
	6000	3610	6575	6990	160	6	1190	1170	870	840
	3000	2010	3590	3990	1020	6	2000	2000	2000	2000
3-STAGE FULL FREE LIFT	3300	2160	3890	4290	1170	6	2000	2000	2000	1980
	3500	2260	4090	4490	1270	6	2000	2000	2000	1940
	4350	2010	4867	5340	1020	6	1940	1850	1870	1790
	4500	2060	5017	5490	1070	6	1900	1810	1850	1760
	4800	2160	5317	5790	1170	6	1830	1750	1760	1700
3-STAGE FULL FREE LIFT	5000	2260	5517	5990	1270	6	1780	1700	1710~	1640~
	5500	2425	6017	6490	1430	6	1650~	1580~	1590~	1520~
	6000	2610	6517	6990	1620	6	1510~	1440~	1490~	1420~
	6500	2825	7017	7490	1835	6	1360~	1300~	1340~	1280~

~ Dual tread specification

H2.0A RATED CAPACITY @ 600MM LOAD CENTRE

Type	Maximum Fork Lift (mm)	Lowered Height (mm)	Extended Height without LBR (mm)	Extended Height with 1220 LBR (mm)	Free Lift Height without LBR (mm)	Back tilt (°)	Capacities (kg) @ 600mm Load Centre			
							Pneumatic Shaped Solid Tyres		Pneumatic Radial Tyres	
							Without sideshift (kg)	With sideshift (kg)	Without sideshift (kg)	With sideshift (kg)
2-STAGE LIMITED FREE LIFT	3000	2010	3575	3990	160	6	1800	1800	1800	1800
	3300	2160	3875	4290	160	6	1800	1800	1800	1800
	3500	2260	4075	4490	160	6	1800	1800	1800	1800
	3700	2360	4275	4690	160	6	1800	1800	1800	1780
	4000	2560	4575	4990	160	6	1800	1800	1800	1770
	4500	2810	5075	5490	160	6	1710	1680	1690	1630
	5000	3060	5575	5990	160	6	1610	1590	1550	1520
2-STAGE FULL FREE LIFT	5500	3360	6075	6490	160	6	1480	1440	1130	1080
	6000	3610	6575	6990	160	6	1170	1130	850	820
	3000	2010	3590	3990	1020	6	1800	1800	1800	1800
3-STAGE FULL FREE LIFT	3300	2160	3890	4290	1170	6	1800	1800	1800	1800
	3500	2260	4090	4490	1270	6	1800	1800	1800	1780
	4350	2010	4867	5340	1020	6	1740	1670	1710	1650
3-STAGE FULL FREE LIFT	4500	2060	5017	5490	1070	6	1710	1640	1700	1630
	4800	2160	5317	5790	1170	6	1650	1580	1640	1570
	5000	2260	5517	5990	1270	6	1600	1530	1520	1470
	5500	2425	6017	6490	1430	6	1450	1400	1470~	1400~
	6000	2610	6517	6990	1620	6	1360~	1300~	1350~	1290~
	6500	2825	7017	7490	1835	6	1220~	1170~	1210~	1150~

~ Dual tread specification

MAST AND CAPACITY INFORMATION WITH MECHANICAL TRANSMISSION

H2.5A RATED CAPACITY @ 500MM LOAD CENTRE										
Type	Maximum Fork Lift (mm)	Lowered Height (mm)	Extended Height without LBR (mm)	Extended Height with 1220 LBR (mm)	Free Lift Height without LBR (mm)	Back tilt (°)	Capacities (kg) @ 500mm Load Centre			
							Pneumatic Shaped Solid Tyres		Pneumatic Radial Tyres	
							Without sidseshift (kg)	With sidseshift (kg)	Without sidseshift (kg)	With sidseshift (kg)
2-STAGE LIMITED FREE LIFT	3000	2010	3575	3990	160	6	2500	2500	2500	2500
	3300	2160	3875	4290	160	6	2500	2500	2500	2500
	3500	2260	4075	4490	160	6	2500	2500	2500	2500
	3700	2360	4275	4690	160	6	2500	2500	2500	2490
	4000	2560	4575	4990	160	6	2500	2500	2500	2460
	4500	2810	5075	5490	160	6	2390	2350	2090	2040
	5000	3060	5575	5990	160	6	2270	2240	1810	1770
	5500	3360	6075	6490	160	6	1900	1860	1350	1320
2-STAGE FULL FREE LIFT	3000	2010	3590	3990	1020	6	2500	2500	2500	2500
	3300	2160	3890	4290	1170	6	2500	2500	2500	2500
	3500	2260	4090	4490	1270	6	2500	2500	2500	2500
3-STAGE FULL FREE LIFT	4350	2010	4867	5340	1020	6	2380	2270	2100	2040
	4500	2060	5017	5490	1070	6	2340	2240	2040	1980
	4800	2160	5317	5790	1170	6	2260	2170	1920	1860
	5000	2260	5517	5990	1270	6	2190	2110	2200~	2110~
	5500	2425	6017	6490	1430	6	2070~	1980~	2060~	1980~
	6000	2610	6517	6990	1620	6	1920~	1840~	1910~	1830~
	6500	2825	7017	7490	1835	6	1760~	1680~	1690~	1650~

~ Dual tread specification

H2.5A RATED CAPACITY @ 600MM LOAD CENTRE										
Type	Maximum Fork Lift (mm)	Lowered Height (mm)	Extended Height without LBR (mm)	Extended Height with 1220 LBR (mm)	Free Lift Height without LBR (mm)	Back tilt (°)	Capacities (kg) @ 600mm Load Centre			
							Pneumatic Shaped Solid Tyres		Pneumatic Radial Tyres	
							Without sidseshift (kg)	With sidseshift (kg)	Without sidseshift (kg)	With sidseshift (kg)
2-STAGE LIMITED FREE LIFT	3000	2010	3575	3990	160	6	2300	2300	2300	2300
	3300	2160	3875	4290	160	6	2300	2300	2300	2300
	3500	2260	4075	4490	160	6	2300	2300	2300	2300
	3700	2360	4275	4690	160	6	2300	2300	2300	2290
	4000	2560	4575	4990	160	6	2300	2300	2300	2260
	4500	2810	5075	5490	160	6	2200	2160	2000	1960
	5000	3060	5575	5990	160	6	2090	2070	1750	1700
	5500	3360	6075	6490	160	6	1840	1800	1310	1270
	6000	3610	6575	6990	160	6	1500	1470	1020	990
2-STAGE FULL FREE LIFT	3000	2010	3590	3990	1020	6	2300	2300	2300	2300
	3300	2160	3890	4290	1170	6	2300	2300	2300	2300
	3500	2260	4090	4490	1270	6	2300	2300	2300	2390
3-STAGE FULL FREE LIFT	4350	2010	4867	5340	1020	6	2140	2060	2060	2010
	4500	2060	5017	5490	1070	6	2110	2020	2000	1940
	4800	2160	5317	5790	1170	6	2040	1960	1890	1840
	5000	2260	5517	5990	1270	6	1990	1910	1990~	1910~
	5500	2425	6017	6490	1430	6	1870~	1790~	1860~	1790~
	6000	2610	6517	6990	1620	6	1730~	1660~	1720~	1650~
	6500	2825	7017	7490	1835	6	1580~	1520~	1570~	1510~

~ Dual tread specification

MAST AND CAPACITY INFORMATION WITH MECHANICAL TRANSMISSION

H3.0A RATED CAPACITY @ 500MM LOAD CENTRE										
Type	Maximum Fork Lift (mm)	Lowered Height (mm)	Extended Height without LBR (mm)	Extended Height with 1220 LBR (mm)	Free Lift Height without LBR (mm)	Back tilt (°)	Capacities (kg) @ 500mm Load Centre			
							Pneumatic Shaped Solid Tyres		Pneumatic Radial Tyres	
							Without sidseshift (kg)	With sidseshift (kg)	Without sidseshift (kg)	With sidseshift (kg)
2-STAGE LIMITED FREE LIFT	3000	2075	3640	4100	165	6	3000	3000	3000	3000
	3300	2225	3940	4400	165	6	3000	3000	3000	3000
	3500	2325	4140	4600	165	6	3000	3000	3000	3000
	3700	2425	4340	4800	165	6	3000	3000	3000	3000
	4000	2625	4640	5100	165	6	3000	3000	3000	2960
	4500	2875	5140	5600	165	6	2890	2830	2750	2720
	5000	3125	5640	6100	165	6	2760	2710	2420	2390
	5500	3425	6140	6600	165	6	2340	2310	1920	1890
2-STAGE FULL FREE LIFT	3000	2075	3650	4100	975	6	3000	3000	3000	3000
	3300	2225	3950	4400	1125	6	3000	3000	3000	3000
	3500	2325	4150	4600	1225	6	3000	3000	3000	3000
3-STAGE FULL FREE LIFT	4350	2075	4950	5450	975	6	2830	2750	2830	2750
	4500	2125	5100	5600	1025	6	2790	2710	2670	2640
	4800	2225	5400	5900	1125	6	2720	2640	2610	2590
	5000	2325	5600	6100	1225	6	2640	2590	2660~	2580~
	5500	2490	6100	6600	1380	6	2520~	2450~	2510~	2440~
	6000	2675	6600	7100	1575	6	2370~	2300~	2350~	2280~
	6500	2890	7100	7600	1790	6	2200~	2140~	2110~	2100~

~ Dual tread specification

H3.0A RATED CAPACITY @ 600MM LOAD CENTRE										
Type	Maximum Fork Lift (mm)	Lowered Height (mm)	Extended Height without LBR (mm)	Extended Height with 1220 LBR (mm)	Free Lift Height without LBR (mm)	Back tilt (°)	Capacities (kg) @ 600mm Load Centre			
							Pneumatic Shaped Solid Tyres		Pneumatic Radial Tyres	
							Without sidseshift (kg)	With sidseshift (kg)	Without sidseshift (kg)	With sidseshift (kg)
2-STAGE LIMITED FREE LIFT	3000	2075	3640	4100	165	6	2900	2810	2900	2810
	3300	2225	3940	4400	165	6	2890	2810	2890	2810
	3500	2325	4140	4600	165	6	2880	2800	2880	2800
	3700	2425	4340	4800	165	6	2880	2800	2870	2800
	4000	2625	4640	5100	165	6	2860	2780	2790	2730
	4500	2875	5140	5600	165	6	2670	2600	2600	2540
	5000	3125	5640	6100	165	6	2580	2510	2330	2290
	5500	3425	6140	6600	165	6	2260	2230	1850	1820
	6000	3675	6640	7100	165	6	1750	1730	1360	1330
2-STAGE FULL FREE LIFT	3000	2075	3650	4100	975	6	2890	2800	2890	2800
	3300	2225	3950	4400	1125	6	2880	2800	2880	2800
	3500	2325	4150	4600	1225	6	2880	2790	2880	2790
3-STAGE FULL FREE LIFT	4350	2075	4950	5450	975	6	2560	2490	2560	2490
	4500	2125	5100	5600	1025	6	2530	2460	2520	2460
	4800	2225	5400	5900	1125	6	2460	2390	2460	2390
	5000	2325	5600	6100	1225	6	2410	2340	2400~	2340~
	5500	2490	6100	6600	1380	6	2280~	2220~	2270~	2210~
	6000	2675	6600	7100	1575	6	2140~	2080~	2120~	2060~
	6500	2890	7100	7600	1790	6	1990~	1940~	1970~	1920~

~ Dual tread specification

MAST AND CAPACITY INFORMATION WITH MECHANICAL TRANSMISSION

H3.5A RATED CAPACITY @ 500MM LOAD CENTRE										
Type	Maximum Fork Lift (mm)	Lowered Height (mm)	Extended Height without LBR (mm)	Extended Height with 1220 LBR (mm)	Free Lift Height without LBR (mm)	Back tilt (°)	Capacities (kg) @ 500mm Load Centre			
							Pneumatic Shaped Solid Tyres		Pneumatic Radial Tyres	
							Without sidseshift (kg)	With sidseshift (kg)	Without sidseshift (kg)	With sidseshift (kg)
2-STAGE LIMITED FREE LIFT	3000	2150	3700	4100	170	6	3500	3500	3500	3500
	3300	2300	4000	4400	170	6	3500	3500	3500	3500
	3500	2400	4200	4600	170	6	3500	3500	3500	3500
	3700	2500	4400	4800	170	6	3500	3500	3500	3500
	4000	2700	4700	5100	170	6	3500	3500	3300	3240
	4500	2950	5200	5600	170	6	3380	3380	2960	2900
	5000	3200	5700	6100	170	6	3000	2940	2470	2420
	5500	3500	6200	6600	170	6	2450	2400	1950	1910
2-STAGE FULL FREE LIFT	3000	2150	3680	4100	1050	6	3500	3500	3500	3500
	3300	2300	3980	4400	1200	6	3500	3500	3500	3500
	3500	2400	4180	4600	1300	6	3500	3500	3500	3500
3-STAGE FULL FREE LIFT	4350	2150	4990	5450	1050	6	3310	3210	3070	3030
	4500	2200	5140	5600	1100	6	3270	3180	2870	2840
	4800	2300	5440	5900	1200	6	3090	3060	2640	2610
	5000	2400	5640	6100	1300	6	3130~	3040~	3120~	3040~
	5500	2565	6140	6600	1455	6	2980~	2900~	2970~	2890~
	6000	2750	6640	7100	1650	6	2820~	2740~	2670~	2640~
	6500	2965	7100	7600	1830	6	2550~	2530~	2230~	2200~

~ Dual tread specification

H3.5A RATED CAPACITY @ 600MM LOAD CENTRE										
Type	Maximum Fork Lift (mm)	Lowered Height (mm)	Extended Height without LBR (mm)	Extended Height with 1220 LBR (mm)	Free Lift Height without LBR (mm)	Back tilt (°)	Capacities (kg) @ 600mm Load Centre			
							Pneumatic Shaped Solid Tyres		Pneumatic Radial Tyres	
							Without sidseshift (kg)	With sidseshift (kg)	Without sidseshift (kg)	With sidseshift (kg)
2-STAGE LIMITED FREE LIFT	3000	2075	3640	4100	165	6	2900	2810	2900	2810
	3300	2225	3940	4400	165	6	2890	2810	2890	2810
	3500	2325	4140	4600	165	6	2880	2800	2880	2800
	3700	2425	4340	4800	165	6	2880	2800	2870	2800
	4000	2625	4640	5100	165	6	2860	2780	2790	2730
	4500	2875	5140	5600	165	6	2670	2600	2600	2540
	5000	3125	5640	6100	165	6	2580	2510	2330	2290
	5500	3425	6140	6600	165	6	2260	2230	1850	1820
	6000	3675	6640	7100	165	6	1750	1730	1360	1330
2-STAGE FULL FREE LIFT	3000	2075	3650	4100	975	6	2890	2800	2890	2800
	3300	2225	3950	4400	1125	6	2880	2800	2880	2800
	3500	2325	4150	4600	1225	6	2880	2790	2880	2790
3-STAGE FULL FREE LIFT	4350	2075	4950	5450	975	6	2560	2490	2560	2490
	4500	2125	5100	5600	1025	6	2530	2460	2520	2460
	4800	2225	5400	5900	1125	6	2460	2390	2460	2390
	5000	2325	5600	6100	1225	6	2410	2340	2400~	2340~
	5500	2490	6100	6600	1380	6	2280~	2220~	2270~	2210~
	6000	2675	6600	7100	1575	6	2140~	2080~	2120~	2060~
	6500	2890	7100	7600	1790	6	1990~	1940~	1970~	1920~

~ Dual tread specification

MAST AND CAPACITY INFORMATION WITH ELECTRONIC TRANSMISSION

H2.0A RATED CAPACITY @ 500MM LOAD CENTRE										
Type	Maximum Fork Lift (mm)	Lowered Height (mm)	Extended Height without LBR (mm)	Extended Height with 1220 LBR (mm)	Free Lift Height without LBR (mm)	Back tilt (°)	Capacities (kg) @ 500mm Load Centre			
							Pneumatic Shaped Solid Tyres		Pneumatic Radial Tyres	
							Without sidseshift (kg)	With sidseshift (kg)	Without sidseshift (kg)	With sidseshift (kg)
2-STAGE LIMITED FREE LIFT	2960	2020	3570	4180	50	6	2000	2000	2000	2000
	3260	2170	3870	4480	50	6	2000	2000	2000	2000
	3560	2320	4170	4780	50	6	2000	2000	2000	2000
	3900	2570	4510	5120	50	6	2000	2000	2000	2000
	4200	2720	4810	5420	50	6	2000	2000	2000	2000
	4500	2870	5110	5720	50	6	1980	1980	1980	1980
	4800	3020	5410	6020	50	6	1920	1910	1920	1910
	5000	3220	5610	6220	50	6	1880	1860	1880	1860
2-STAGE FULL FREE LIFT	5500	3470	6110	6720	50	6	1770	1750	1650	1640
	2990	2020	3597	4210	1373	6	2000	2000	2000	2000
	3340	2170	3947	4560	1523	6	2000	2000	2000	2000
	3440	2220	4047	4660	1573	6	2000	2000	2000	2000
	3540	2270	4147	4760	1623	6	2000	2000	2000	2000
	3740	2370	4347	4960	1723	6	2000	2000	2000	2000
	4060	2570	4667	5280	1923	6	2000	2000	2000	2000
	4560	2820	5167	5780	2173	6	1960	1960	1960	1960
3-STAGE FULL FREE LIFT	4960	3020	5567	6180	2373	6	1880	1870	1880	1870
	5560	3370	6167	6780	2723	6	1750	1730	1740~	1720~
	4100	2020	4699	5320	1381	6	2000	1970	2000	1970
	4400	2020	4999	5620	1381	6	2000	1970	2000	1970
	4650	2070	5249	5870	1431	6	1950	1920	1860	1840
	4950	2170	5549	6170	1531	6	1890	1860	1890~	1850~
	5250	2320	5849	6470	1681	6	1830	1810	1790~	1780~
	6150	2670	6749	7370	2031	6	1620~	1560~	1350~	1330~
	6450	2820	7049	7670	2181	6	1540~	1480~	1220~	1210~
	6900	3020	7497	7815	2540	6	1210	1190	840	810

~ Wide tread specification

H2.0A RATED CAPACITY @ 600MM LOAD CENTRE										
Type	Maximum Fork Lift (mm)	Lowered Height (mm)	Extended Height without LBR (mm)	Extended Height with 1220 LBR (mm)	Free Lift Height without LBR (mm)	Back tilt (°)	Capacities (kg) @ 600mm Load Centre			
							Pneumatic Shaped Solid Tyres		Pneumatic Radial Tyres	
							Without sidseshift (kg)	With sidseshift (kg)	Without sidseshift (kg)	With sidseshift (kg)
2-STAGE LIMITED FREE LIFT	2960	2020	3570	4180	50	6	1910	1850	1910	1850
	3260	2170	3870	4480	50	6	1900	1840	1900	1840
	3560	2320	4170	4780	50	6	1900	1840	1900	1840
	3900	2570	4510	5120	50	6	1890	1830	1890	1830
	4200	2720	4810	5420	50	6	1880	1820	1880	1820
	4500	2870	5110	5720	50	6	1860	1800	1860	1800
	4800	3020	5410	6020	50	6	1800	1740	1800	1740
	5000	3220	5610	6220	50	6	1750	1690	1750	1690
2-STAGE FULL FREE LIFT	5500	3470	6110	6720	50	6	1640	1590	1640	1580
	2990	2020	3597	4210	1373	6	1910	1850	1910	1850
	3340	2170	3947	4560	1523	6	1900	1840	1900	1840
	3440	2220	4047	4660	1573	6	1900	1840	1900	1840
	3540	2270	4147	4760	1623	6	1900	1840	1900	1840
	3740	2370	4347	4960	1723	6	1890	1830	1890	1830
	4060	2570	4667	5280	1923	6	1890	1820	1890	1820
	4560	2820	5167	5780	2173	6	1840	1780	1840	1780
3-STAGE FULL FREE LIFT	4960	3020	5567	6180	2373	6	1760	1700	1760	1700
	5560	3370	6167	6780	2723	6	1620	1570	1620~	1560~
	4100	2020	4699	5320	1381	6	1850	1790	1850	1790
	4400	2020	4999	5620	1381	6	1850	1790	1850	1790
	4650	2070	5249	5870	1431	6	1810	1750	1810	1750
	4950	2170	5549	6170	1531	6	1750	1690	1750~	1690~
	5250	2320	5849	6470	1681	6	1700	1640	1680~	1620~
	6150	2670	6749	7370	2031	6	1480	1430	1370~	1350~
	6450	2820	7049	7670	2181	6	1400	1360	1240~	1220~
	6900	3020	7497	7815	2540	6	1270	1230	1070~	1040~

~ Wide tread specification

MAST AND CAPACITY INFORMATION WITH ELECTRONIC TRANSMISSION

H2.5A RATED CAPACITY @ 500MM LOAD CENTRE										
Type	Maximum Fork Lift (mm)	Lowered Height (mm)	Extended Height without LBR (mm)	Extended Height with 1220 LBR (mm)	Free Lift Height without LBR (mm)	Back tilt (°)	Capacities (kg) @ 500mm Load Centre			
							Pneumatic Shaped Solid Tyres		Pneumatic Radial Tyres	
							Without sidseshift (kg)	With sidseshift (kg)	Without sidseshift (kg)	With sidseshift (kg)
2-STAGE LIMITED FREE LIFT	2960	2020	3570	4180	50	6	2500	2500	2500	2500
	3260	2170	3870	4480	50	6	2500	2500	2500	2500
	3560	2320	4170	4780	50	6	2500	2450	2450	2450
	3900	2570	4510	5120	50	6	2500	2440	2440	2440
	4200	2720	4810	5420	50	6	2500	2430	2430	2430
	4500	2870	5110	5720	50	6	2470	2410	2410	2410
	4800	3020	5410	6020	50	6	2410	2340	2340	2330~
	5000	3220	5610	6220	50	6	2360	2280	2280	2280~
2-STAGE FULL FREE LIFT	2990	2020	3597	4210	1373	6	2500	2460	2460	2460
	3340	2170	3947	4560	1523	6	2500	2460	2460	2460
	3440	2220	4047	4660	1573	6	2500	2450	2450	2450
	3540	2270	4147	4760	1623	6	2500	2450	2450	2450
	3740	2370	4347	4960	1723	6	2500	2450	2450	2450
	4060	2570	4667	5280	1923	6	2500	2440	2440	2440
	4560	2820	5167	5780	2173	6	2460	2390	2390	2380
	4960	3020	5567	6180	2373	6	2370	2290	2290	2290~
3-STAGE FULL FREE LIFT	4000	2020	4599	5220	1381	6	2500	2500	2500	2500
	4100	2020	4699	5320	1381	6	2500	2430	2430	2410
	4300	2020	4899	5520	1381	6	2500	2430	2430	2275
	4650	2070	5249	5870	1431	6	2440	2380	2380	1950
	4950	2170	5549	6170	1531	6	2380	2310	2310	2100~
	5100	2270	5699	6320	1631	6	2350	2260	2260	1990~
	5550	2420	6149	6770	1781	6	2230~	2150~	2150~	1700~
	5700	2520	6299	6920	1881	6	2190~	2110~	2110~	1600~
	6150	2670	6749	7370	2031	6	2060~	1990~	1990~	1350~
	6450	2820	7049	7670	2181	6	1880~	1870~	1870~	1200~
6900	3020	7499	8120	2381	6	1610~	1560~	1560~	990~	

~ Wide tread specification

H2.5A RATED CAPACITY @ 600MM LOAD CENTRE										
Type	Maximum Fork Lift (mm)	Lowered Height (mm)	Extended Height without LBR (mm)	Extended Height with 1220 LBR (mm)	Free Lift Height without LBR (mm)	Back tilt (°)	Capacities (kg) @ 600mm Load Centre			
							Pneumatic Shaped Solid Tyres		Pneumatic Radial Tyres	
							Without sidseshift (kg)	With sidseshift (kg)	Without sidseshift (kg)	With sidseshift (kg)
2-STAGE LIMITED FREE LIFT	2960	2020	3570	4180	50	6	2310	2240	2310	2240
	3260	2170	3870	4480	50	6	2360	2290	2360	2290
	3560	2320	4170	4780	50	6	2300	2230	2300	2230
	3900	2570	4510	5120	50	6	2290	2220	2290	2220
	4200	2720	4810	5420	50	6	2280	2210	2280	2210
	4500	2870	5110	5720	50	6	2260	2190	2260	2190
	4800	3020	5410	6020	50	6	2190	2120	2190~	2120~
	5000	3220	5610	6220	50	6	2140	2070	2140~	2070~
2-STAGE FULL FREE LIFT	2990	2020	3597	4210	1373	6	2310	2240	2310	2240
	3340	2170	3947	4560	1523	6	2300	2230	2300	2230
	3440	2220	4047	4660	1573	6	2300	2230	2300	2230
	3540	2270	4147	4760	1623	6	2300	2230	2300	2230
	3740	2370	4347	4960	1723	6	2290	2220	2290	2220
	4060	2570	4667	5280	1923	6	2290	2210	2290	2210
	4560	2820	5167	5780	2173	6	2240	2170	2240	2170
	4960	3020	5567	6180	2373	6	2150	2080	2150~	2080~
3-STAGE FULL FREE LIFT	4000	2020	4599	5220	1381	6	2280	2210	2280	2210
	4100	2020	4699	5320	1381	6	2280	2210	2280	2210
	4300	2020	4899	5520	1381	6	2280	2210	2215	2175
	4650	2070	5249	5870	1431	6	2230	2160	2230~	2160~
	4950	2170	5549	6170	1531	6	2170	2100	2120~	2090~
	5100	2270	5699	6320	1631	6	2130	2065	2030~	2020~
	5550	2420	6149	6770	1781	6	2020~	1950	1730~	1720~
	5700	2520	6299	6920	1881	6	1980~	1920	1650~	1630
	6150	2670	6749	7370	2031	6	1860~	1800~	1390~	1370~
	6450	2820	7049	7670	2181	6	1780~	1720~	1250~	1220~
6900	3020	7499	8120	2381	6	1610~	1560~	1040~	1010~	

~ Wide tread specification

MAST AND CAPACITY INFORMATION WITH ELECTRONIC TRANSMISSION

H3.0A RATED CAPACITY @ 500MM LOAD CENTRE										
Type	Maximum Fork Lift (mm)	Lowered Height (mm)	Extended Height without LBR (mm)	Extended Height with 1220 LBR (mm)	Free Lift Height without LBR (mm)	Back tilt (°)	Capacities (kg) @ 500mm Load Centre			
							Pneumatic Shaped Solid Tyres		Pneumatic Radial Tyres	
							Without sidershift (kg)	With sidershift (kg)	Without sidershift (kg)	With sidershift (kg)
2-STAGE LIMITED FREE LIFT	2960	2042	3570	4180	50	6	2700	2700	2700	2700
	3260	2192	3870	4480	50	6	2700	2700	2700	2700
	3560	2342	4170	4780	50	6	2700	2700	2700	2700
	3900	2592	4510	5120	50	6	2700	2690	2700	2690
	4200	2742	4810	5420	50	6	2700	2680	2700	2680
	4500	2892	5110	5720	50	6	2680	2660	2670	2660
	4800	3042	5410	6020	50	6	2610	2590	2560	2560
	5000	3242	5610	6220	50	6	2570	2540	2420	2420
5500	3492	6110	6720	50	6	2450	2410	2440~	2430~	
2-STAGE FULL FREE LIFT	2990	2042	3597	4210	1395	6	2700	2700	2700	2700
	3340	2192	3497	4560	1545	6	2700	2700	2700	2700
	3440	2242	4047	4660	1595	6	2700	2700	2700	2700
	3540	2292	4147	4760	1645	6	2700	2700	2700	2700
	3740	2392	4347	4960	1745	6	2700	2700	2700	2700
	4060	2592	4667	5280	1945	6	2700	2690	2700	2690
	4560	2842	5167	5780	2195	6	2660	2640	2650	2640
	4960	3042	5567	6180	2395	6	2570	2540	2570~	2570~
5560	3392	6167	6780	2745	6	2430	2640	2420~	2420~	
3-STAGE FULL FREE LIFT	4000	2042	4599	5220	1403	6	2700	2680	2700	2700
	4100	2042	4699	5320	1403	6	2700	2680	2700	2680
	4300	2042	4899	5520	1403	6	2700	2680	2590	2590
	4650	2092	5249	5870	1453	6	2640	2640	2640~	2640~
	4950	2192	5549	6170	1553	6	2550	2560	2580~	2580~
	5100	2292	5699	6320	1653	6	2580~	2550~	2540~	2540~
	5550	2442	6149	6770	1803	6	2440~	2440~	2250~	2250~
	5700	2542	6299	6920	1903	6	2400~	2400~	2150~	2140~
	6150	2692	6749	7370	2053	6	2190~	2140~	1870~	1850~
	6450	2842	7049	7670	2203	6	1940~	1890~	1690~	1670~
6900	3042	7499	8120	2403	6	1610~	1560~	1440~	1420~	

~ Wide tread specification

H3.0A RATED CAPACITY @ 600MM LOAD CENTRE										
Type	Maximum Fork Lift (mm)	Lowered Height (mm)	Extended Height without LBR (mm)	Extended Height with 1220 LBR (mm)	Free Lift Height without LBR (mm)	Back tilt (°)	Capacities (kg) @ 600mm Load Centre			
							Pneumatic Shaped Solid Tyres		Pneumatic Radial Tyres	
							Without sidershift (kg)	With sidershift (kg)	Without sidershift (kg)	With sidershift (kg)
2-STAGE LIMITED FREE LIFT	2960	2042	3570	4180	50	6	2530	2530	2530	2530
	3260	2192	3870	4480	50	6	2530	2530	2530	2530
	3560	2342	4170	4780	50	6	2530	2530	2530	2530
	3900	2592	4510	5120	50	6	2530	2530	2530	2530
	4200	2742	4810	5420	50	6	2530	2530	2530	2530
	4500	2892	5110	5720	50	6	2530	2530	2530	2530
	4800	3042	5410	6020	50	6	2530	2530	2530	2530
	5000	3242	5610	6220	50	6	2530	2530	2430	2420
5500	3492	6110	6720	50	6	2450	2430	2440~	2410~	
2-STAGE FULL FREE LIFT	2990	2042	3597	4210	1395	6	2530	2530	2530	2530
	3340	2192	3497	4560	1545	6	2530	2530	2530	2530
	3440	2242	4047	4660	1595	6	2530	2530	2530	2530
	3540	2292	4147	4760	1645	6	2530	2530	2530	2530
	3740	2392	4347	4960	1745	6	2530	2530	2530	2530
	4060	2592	4667	5280	1945	6	2530	2530	2530	2530
	4560	2842	5167	5780	2195	6	2530	2530	2530	2530
	4960	3042	5567	6180	2395	6	2530	2530	2520	2520
5560	3392	6167	6780	2745	6	2430	2390	2420~	2380~	
3-STAGE FULL FREE LIFT	4000	2042	4599	5220	1403	6	2530	2530	2530	2530
	4100	2042	4699	5320	1403	6	2530	2530	2530	2530
	4300	2042	4899	5520	1403	6	2530	2530	2530	2530
	4650	2092	5249	5870	1453	6	2530	2530	2530~	2530~
	4950	2192	5549	6170	1553	6	2530	2530	2530~	2530~
	5100	2292	5699	6320	1653	6	2450	2450	2530~	2510~
	5550	2442	6149	6770	1803	6	2440~	2400~	2280~	2270~
	5700	2542	6299	6920	1903	6	2400~	2360~	2180~	2170~
	6150	2692	6749	7370	2053	6	2190~	2140~	1900~	1880~
	6450	2842	7049	7670	2203	6	1940~	1890~	1720~	1700~
6900	3042	7499	8120	2403	6	1610~	1560~	1470~	1450~	

~ Wide tread specification

MAST AND CAPACITY INFORMATION WITH ELECTRONIC TRANSMISSION

H3.5A RATED CAPACITY @ 500MM LOAD CENTRE										
Type	Maximum Fork Lift (mm)	Lowered Height (mm)	Extended Height without LBR (mm)	Extended Height with 1220 LBR (mm)	Free Lift Height without LBR (mm)	Back tilt (°)	Capacities (kg) @ 500mm Load Centre			
							Pneumatic Shaped Solid Tyres		Pneumatic Radial Tyres	
							Without sidseshift (kg)	With sidseshift (kg)	Without sidseshift (kg)	With sidseshift (kg)
2-STAGE LIMITED FREE LIFT	2980	2142	3662	4198	50	6	3500	3460	3500	3460
	3280	2292	3962	4498	50	6	3500	3460	3500	3460
	3380	2342	4062	4598	50	6	3500	3450	3500	3450
	3580	2442	4262	4798	50	6	3500	3450	3500	3450
	3880	2692	4562	5098	50	6	3500	3440	3500	3440
	4180	2842	4862	5398	50	6	3500	3430	3500	3430
	4480	2992	5162	5698	50	6	3430	3300	3430~	3300~
	4780	3242	5462	5998	50	6	3360	3220	3360~	3220~
2-STAGE FULL FREE LIFT	5480	3592	6162	6698	50	6	3170~	3040~	3160~	3030~
	5880	3892	6562	7098	50	6	3040~	2920~	2760~	2770~
	3000	2092	3684	4224	1362	6	3500	3420	3500	3420
	3200	2192	3884	4424	1462	6	3500	3420	3500	3420
	3500	2342	4184	4724	1612	6	3500	3410	3500	3410
	3700	2442	4384	4924	1712	6	3500	3410	3500	3410
	4000	2642	4684	5224	1912	6	3500	3400	3500	3400
	4500	2892	5184	5724	2162	6	3430	3320	3430~	3320~
3-STAGE FULL FREE LIFT	5000	3192	5684	6224	2462	6	3310	3190	3310~	3190~
	5400	3392	6084	6624	2662	6	3200~	3080~	3190~	3080~
	4020	2042	4690	5238	1320	6	3500	3390	3500~	3390~
	4320	2092	4990	5538	1370	6	3460	3360	3460~	3360~
	4620	2192	5290	5838	1470	6	3400~	3290~	3390~	3290~
	4920	2342	5590	6138	1620	6	3330~	3210~	3050~	3060~
	5520	2592	6190	6738	1870	6	3070~	3050~	2460~	2450~
	6120	2842	6790	7338	2120	6	2480~	2480~	1950~	1930~
6570	3042	7240	7788	2320	6	2830*	2730*	1590~	1580~	
7020	3192	7690	8238	2470	6	2640*	2570*	1310~	1280~	

~ Wide tread specification. * Dual tread specification.

H3.5A RATED CAPACITY @ 600MM LOAD CENTRE										
Type	Maximum Fork Lift (mm)	Lowered Height (mm)	Extended Height without LBR (mm)	Extended Height with 1220 LBR (mm)	Free Lift Height without LBR (mm)	Back tilt (°)	Capacities (kg) @ 600mm Load Centre			
							Pneumatic Shaped Solid Tyres		Pneumatic Radial Tyres	
							Without sidseshift (kg)	With sidseshift (kg)	Without sidseshift (kg)	With sidseshift (kg)
2-STAGE LIMITED FREE LIFT	2980	2142	3662	4198	50	6	3280	3150	3280	3150
	3280	2292	3962	4498	50	6	3270	3150	3270	3150
	3380	2342	4062	4598	50	6	3270	3150	3270	3150
	3580	2442	4262	4798	50	6	3270	3140	3270	3140
	3880	2692	4562	5098	50	6	3250	3130	3250	3130
	4180	2842	4862	5398	50	6	3250	3070	3190	3070
	4480	2992	5162	5698	50	6	3130	3010	3130~	3010
	4780	3242	5462	5998	50	6	3050	2940	3050~	2930~
2-STAGE FULL FREE LIFT	5480	3592	6162	6698	50	6	2880	2770	2870~	2760~
	5880	3892	6562	7098	50	6	2760~	2660~	2760~	2650~
	3000	2092	3684	4224	1362	6	3220	3110	3220	3110
	3200	2192	3884	4424	1462	6	3220	3110	3220	3110
	3500	2342	4184	4724	1612	6	3210	3110	3210	3110
	3700	2442	4384	4924	1712	6	3210	3100	3210	3100
	4000	2642	4684	5224	1912	6	3200	3090	3200	3090
	4500	2892	5184	5724	2162	6	3130	3020	3090	3020
3-STAGE FULL FREE LIFT	5000	3192	5684	6224	2462	6	3010	2910	3000~	2900~
	5400	3392	6084	6624	2662	6	2910	2810	2900~	2800~
	4020	2042	4690	5238	1320	6	3190	3090	3190~	3090~
	4320	2092	4990	5538	1370	6	3160	3060	3160~	3060~
	4620	2192	5290	5838	1470	6	3100	3000	3090~	2990~
	4920	2342	5590	6138	1620	6	3020~	2880	3020~	2920~
	5520	2592	6190	6738	1870	6	2870~	2770~	2480~	2470~
	6120	2842	6790	7338	2120	6	2530~	2530~	1980~	1970~
6570	3042	7240	7788	2320	6	2570*	2480*	1640~	1620~	
7020	3192	7690	8238	2470	6	2420*	2340*	1340~	1310~	

~ Wide tread specification. * Dual tread specification.

AVAILABLE OPTIONS

PERFORMANCE

Yanmar 2.2L LPG Non-Certified

Yanmar 2.2L Dual Fuel Non-Certified

Yanmar 3.0L Diesel Non-Certified

Yanmar 3.3L Diesel Non-Certified

Yanmar 2.1L DPF (37 kW) Diesel

Yanmar 2.1L DPF with CAC (44 kW) Diesel

Yanmar 2.2L LPG Stage V

Mechanical Powershift Transmission

Electrical Powershift Transmission

DuraMatch™ Transmission

Drum Brakes

Oil immersed brakes

Standard (-20° C to 40° C) Environmental construction

Hot (-20° C to >40° C) Environmental construction

High Air Intake

Heavy duty air intake and pre-cleaner options

Internal Air Intake

Swing Out and Drop Down LPG tank bracket

LPG tank bracket interlock

Integrated Fuel Level Sensor

Engine driven cooling system

On-demand cooling system

Low Exhaust

Overhead Exhaust

System monitoring package

Premium monitoring package

Powertrain Protection with engine shutdown

Radiator Screen

Exhaust wraps

Empty seat engine shutdown

Belly screen

High capacity starter battery

Tie downs

DRIVE

Single pedal inch brake

Dual brake pedal

Tyres - Super Elastic

Tyres - Super Elastic - Non Marking

Tyres - Pneumatic Radial

Tyres - Pneumatic

Wide tread tyres

Dual tread tyres

Steer Column with Tilt and Telescope

Steering Column Mounted Directional Control

Steering Wheel with Spinner Knob

Steer Column with Infinitely Adjustable Tilt

On Demand Power Steering

On Demand Power Steering with Synchronous Steering

LIFT

2 Stage Limited Free Lift Mast – Class II/III

2 Stage Full Free Lift Mast – Class II/III

3 Stage Full Free Lift Mast – Class II/III

3° Forward / 6° Back Mast Tilt

6° Forward / 6° Back Mast Tilt

6° Forward / 10° Back Mast Tilt

10° Forward / 6° Back Mast Tilt

Standard Displacement Hydraulic Pump

On Demand Hydraulic Pump (VDP)

HANDLING

Hook Type Standard Carriage - 1070mm

Hook Type Standard Carriage - 1220mm

Hook Type Integral Sideshift Carriage - 1070mm

Hook Type Integral Sideshift Carriage - 1220mm

Hook Type Integral Sideshifting Fork Positioner - 1070mm

Hook Type Integral Sideshifting Fork Positioner - 1220mm

Type Standard Taper Forks 1000mm

Type Standard Taper Forks 1100mm

Hook Type Standard Taper Forks 1200mm

Without Load backrest

1220mm High Load Backrest

915mm High Load Backrest

915mm High Load Backrest Drop Centre

1524mm High Load Backrest

Tilt Cylinder Boots

Hydraulic Accumulator

Manual Lever Hydraulic Control

Mini Lever Hydraulic Control

Joystick Hydraulic Control

High temperature hydraulic fluid

Clamping function

Return to set tilt function

2 Function (0 Auxiliary) Hydraulic Valve

3 Function (1 Auxiliary) Hydraulic Valve

4 Function (2 Auxiliary) Hydraulic Valve

Fork Laser Positioning System

Height Selector

Load Weight Display

Attachment extension tubes and quick disconnects

VISIBILITY

Top wiper

Spot light activation continuous / directional

Dual Side View Mirrors

Panoramic Mirror

LED Work lights

High Performance LED Work lights

VISIBILITY (continued)

Rear reflector

LED Rear light package Brake/Tail/Backup

LED Rear light package Brake/Tail/Backup/Turn

LED Rear light package Brake/Tail/Backup/Turn/Hazards

Switch Activated Strobe Light

Audible Reverse Alarm

Forward and Reverse Alarm

LED Mast Mounted lights

Blue LED Pedestrian Awareness Spotlights

Red LED Pedestrian Awareness Perimeter Lines

Rear View Camera System Integrated in 178mm Colour Display

Rear View Camera System with Rear-Mounted Display

Automatic (Ambient Light Level) Work Light Control

ERGONOMICS

Rectangular guard

Operator fan

Starter battery dongle

Engine block heater

Plastic Rain top

Figure 8 Tube Over Head Guard

Grid Style Overhead Guard

Clear View Overhead Guard

Cabin Options (Partial, PVC, Steel Doors)

High Specification Cabin

Rear Drive Handle with Horn Button

Console Tray

LCD Dash Display

Full Colour Touchscreen Display

Full Suspension Vinyl Seat

Full Suspension Cloth Seat

Full Suspension Vinyl Seat - Value

Air Ride Full Suspension Vinyl Seat

Air Ride Full Suspension Cloth Seat

Full suspension seat - Low profile

Sun Shades (top and / or front)

Air Conditioning

Accessory Mounting Post and options

12v Aux supply

12v Supply with twin USB charging sockets

OPERATION

Traction speed limiters

Seat belt Hi-Vis interlocking

Key Switch Start

Keyless with Operator password start

Engine driven cooling

Travel speed Alarm

Battery disconnect

Front Mud Guards

Drive axle string cutter

Standard Seat Belt

HI VIS Red Seat Belt

Telemetry Prepared

Dynamic Stability System

Speed Reduction in Corners

Seat Side Direction Control

Foot Direction Control

Hyster Tracker™ Wireless Monitoring

Hyster Tracker™ Wireless Access

Hyster Tracker™ Wireless Verification

APPEARANCE

Hyster yellow paint base truck

Special paint base truck

SUPPLEMENTAL

12 Month / 2000 hour Limited Warranty

36 Month / 6000 hours Limited

Powertrain Warranty


Option availability varies by region



HYSTER PACIFIC
1/23 Rowood Road, Prospect NSF 2145
Tel: +61 (2) 9795 3800 Fax: +61 (2) 9792 8484

HYSTER ASIA
16 Tuas Avenue 20, Singapore 638827
Tel: +65 6863 3387 Fax: +65 6863 3349

Visit us online at www.hyster.com.

© Hyster Asia Pacific 2024. All rights reserved. HYSTER,  and Strong Partners. Tough Trucks. are trademarks of Hyster-Yale Group, Inc. Specifications and details in this brochure are subject to change without prior notification. Please consult with your Hyster dealer for the most up to date information and to confirm exact capacities.