



GP80-160DF/EF

SPEC SHEET

DF/EF series
diesel forklift

8,000-16,000kg

VDI 2198 – GENERAL SPECIFICATIONS

DISTINGUISHING MARK	1.1		Yale				
	1.2		GDP80DF	GDP90DF	GDP90DF(L)	GDP100DF(S)	
	1.3		Diesel				
	1.4		Seated				
	1.5	Rated capacity / rated load	Q (kg)	8500	9500	10500	
	1.6	Load centre distance	c (mm)	600			
	1.8	Load distance	x (mm)	809			
	1.9	Wheelbase	y (mm)	2700		2700	
W.T	2.1	Service weight*	kg	13270	13804	14883	
	2.2	Axle loading, laden front / rear	kg	20060 / 1710	21479 / 1825	21304 / 1731	
	2.3	Axle loading, unladen front / rear	kg	7124 / 6146	7022 / 6782	7188 / 6347	
TYRES/CHASSIS	3.1	Tyres: P=pneumatic, V=solid, SE=Pneumatic Shape Solid		P			
	3.2	Tyres size, front		10.00-20 16PR			
	3.3	Tyres size, rear		10.00-20 16PR			
	3.5	Wheels, number front / rear (x = driven wheels)		4X / 2			
	3.6	Track width, front	b10 (mm)	1842			
	3.7	Track width, rear	b11 (mm)	2020			
	DIMENSIONS	4.1	Mast tilt : forward / backwards	(°)	15° / 12°		
4.2		Height of mast lowered (unloaded)	h1 (mm)	3885			
4.3		Free lift	h2 (mm)	-			
4.4		Lift height (bottom of forks)	h3 (mm)	4925			
4.5		Height of mast extended (unloaded)	h4 (mm)	6347			
4.7		Height of overhead guard (open cab)	h6 (mm)	3055			
4.7.1		Height of overhead guard (closed cab)	h6 (mm)	3082			
4.7.2		Height of overhead guard (closed cab w/ airco)	h6 (mm)	3082			
4.7.3		Height of overhead guard (closed cab w/ strobe light)	h6 (mm)	3177			
4.7.4		Height of overhead guard (closed cab w/ work lights)	h6 (mm)	3231			
4.7.5		Height of overhead guard (closed cab w/ airco & strobe light)	h6 (mm)	3207			
4.8		Seat height (Seat Index Point, ISO 5353)	h7 (mm)	1875			
4.12		Coupling height	h10 (mm)	661			
4.17		Overhang	l5 (mm)	795			
4.19		Overall length	l1 (mm)	5524			
4.20		Length to face of forks	l2 (mm)	4304			
4.21		Overall width truck	b2 (mm)	2490			
4.22		Fork dimensions	s/e/l (mm)	75 / 200 / 1220			
4.23		Carriage type		75mm std pin type			
4.24		Carriage width	b3 (mm)	2396			
4.25		Distance over fork arms, minimum / maximum	b5 (mm)	534 / 2256			
4.30		Sideshift (min / max)	b8 (mm)	- / -			
4.31		Ground clearance, under mast (w/o load)	m1 (mm)	253			
4.32		Ground clearance, centre of wheelbase	m2 (mm)	313			
4.33		Load size	w x l (mm)	1200 / 1200			
4.33.1		Aisle width (a=10%)	Ast (mm)	6524	6732	6524	
4.33.2		Aisle width (a=0)	Ast (mm)	5931	6120	5931	
4.33.3		Aisle width (a=200)	Ast (mm)	6131	6320	6131	
4.34		Load size	w x l (mm)	1200 / 800			
4.34.1		Aisle width (a=10%)	Ast (mm)	6084	6292	6084	
4.34.2		Aisle width (a=0)	Ast (mm)	5531	5720	5531	
4.34.3		Aisle width (a=200)	Ast (mm)	5731	5920	5731	
4.35		Turning radius (outer)	Wa (mm)	3850	4107	3850	
4.36		Internal turning radius	b13 (mm)	1370	1538	1370	
PERFORMANCE DATA		5.1	Travel speed laden/unladen T3**	km/h	- / -	29.7 / 30.9	- / -
		5.2	Lifting speed laden/unladen 90cc T3	m/s	- / -	0.45 / 0.45	- / -
	5.2.1	Lifting speed laden/unladen 111cc T3	m/s	- / -	0.60 / 0.67	- / -	
	5.2.2	Lifting speed laden/unladen 126cc T3	m/s	- / -	- / -	- / -	
	5.3	Lowering speed laden/unladen	m/s	- / -	0.54 / 0.48	0.50 / 0.48	
	5.5	Drawbar pull laden/unladen @ 1.6 km/hour T3	kN	- / -	95 / 97	- / -	
	5.6	Drawbar pull laden/unladen @ stall T3	kN	- / -	106 / 107	- / -	
	5.7	Gradeability laden/unladen @ 1.6 km/hour T3	%	- / -	47 / 35	- / -	
	5.8	Gradeability laden/unladen @ stall T3	%	- / -	53 / 35	- / -	
	5.1	Travel speed laden/unladen Stage T4**	km/h	29.7 / 30.9			
	5.2	Lifting speed laden/unladen 90cc T4	m/s	0.45 / 0.45			
	5.2.1	Lifting speed laden/unladen 111cc T4	m/s	0.63 / 0.67		0.50 / 0.54	
	5.2.2	Lifting speed laden/unladen 126cc T4	m/s	- / -			
	5.3	Lowering speed laden/unladen	m/s	0.50 / 0.48			
	5.5	Drawbar pull laden/unladen @ 1.6 km/hour T4	kN	101 / 102		100 / 102	
	5.6	Drawbar pull laden/unladen @ stall T4	kN	112 / 113		111 / 113	
5.7	Gradeability laden/unladen @ 1.6 km/hour T4	%	52 / 34	49 / 32	44 / 34		
5.8	Gradeability laden/unladen @ stall T4	%	52 / 34	52 / 32	50 / 34		
ADD. INFORMATION	10.1	Operating pressure for attachments	MPa	19.5			
	10.2	Oil volume for attachments	l/min	100			
	10.3	Hydraulic tank capacity	l	93	109	93	
	10.4	Fuel tank capacity	l	113	151	113	
	10.4.1	DEF tank capacity	l	19			
	10.5	Steering design		Hydraulic power steering			
	10.6	Number of steering rotation		5.0			
	10.8	Towing coupling, model / type		Pin			

* Truck models based on Stage-V engine and Standard pin CRG without fork positioning.
 ** Travel speed laden/unladen limited at 25 km/h as factory default.

- All values are nominal values and they are subject to tolerances. For further information, please contact the manufacturer.
- Yale products might be subject to change without notice.
- Lift trucks illustrated may feature optional equipment.
- Values may vary with alternative configurations.

VDI 2198 – GENERAL SPECIFICATIONS

DISTINGUISHING MARK	1.1 Manufacturer (abbreviation)		Yale				
	1.2 Manufacturer's type designation		GDP100DF	GDP120DF	GDP130EF(S)	GDP140EF(S)	GDP130EF
1.3 Drive: electric (battery or mains), diesel, petrol, fuel gas			Diesel				
	1.4 Operator type: hand, pedestrian, standing, seated, orderpicker		Seated				
1.5 Rated capacity / rated load	Q (kg)	10500	12500	13500	14500	13500	
	1.6 Load centre distance	c (mm)	600				
1.8 Load distance	x (mm)	809			889		
	1.9 Wheelbase	y (mm)	2900				3300
W.T	2.1 Service weight*	kg	14470	15882	18629	19328	17806
	2.2 Axle loading, laden front / rear	kg	23155 / 1815	26034 / 2348	29316 / 2813	30712 / 3116	28892 / 2414
	2.3 Axle loading, unladen front / rear	kg	7553 / 6917	7460 / 8421	8884 / 9745	8767 / 10561	9300 / 8505
TYRES/CHASSIS	3.1 Tyres: P=pneumatic, V=solid, SE=Pneumatic Shape Solid		P				
	3.2 Tyres size, front		10.00-20 16PR		12.00-20 20PR		
	3.3 Tyres size, rear		10.00-20 16PR		12.00-20 20PR		
	3.5 Wheels, number front / rear (x = driven wheels)		4X / 2				
	3.6 Track width, front	b10 (mm)	1842				
	3.7 Track width, rear	b11 (mm)	2020		2018		
	DIMENSIONS	4.1 Mast tilt : forward / backwards		(°) 15° / 12°			
4.2 Height of mast lowered (unloaded)		h1 (mm)	4135		4193		
4.3 Free lift		h2 (mm)	-				
4.4 Lift height (bottom of forks)		h3 (mm)	4925		4910		
4.5 Height of mast extended (unloaded)		h4 (mm)	6597		6648		
4.7 Height of overhead guard (open cab)		h6 (mm)	3055		3083		
4.7.1 Height of overhead guard (closed cab)		h6 (mm)	3082		3110		
4.7.2 Height of overhead guard (closed cab w/ airco)		h6 (mm)	3082		3110		
4.7.3 Height of overhead guard (closed cab w/ strobe light)		h6 (mm)	3177		3205		
4.7.4 Height of overhead guard (closed cab w/ work lights)		h6 (mm)	3231		3259		
4.7.5 Height of overhead guard (closed cab w/ airco & strobe light)		h6 (mm)	3207		3235		
4.8 Seat height (Seat Index Point, ISO 5353)		h7 (mm)	1875		1903		
4.12 Coupling height		h10 (mm)	661		689		
4.17 Overhang		l5 (mm)	795		925		795
4.19 Overall length		l1 (mm)	5724		6544		6814
4.20 Length to face of forks		l2 (mm)	4504		4714		4984
4.21 Overall width truck		b2 (mm)	2490		2541		
4.22 Fork dimensions		s/e/l (mm)	75 / 200 / 1220		90 / 200 / 1830		
4.23 Carriage type			75mm standard pin type		90mm standard pin type		
4.24 Carriage width		b3 (mm)	2396		2496		
4.25 Distance over fork arms, minimum / maximum		b5 (mm)	534 / 2256				
4.30 Sideshift (min / max)		b8 (mm)	-				
4.31 Ground clearance, under mast (w/o load)		m1 (mm)	253		245		
4.32 Ground clearance, centre of wheelbase		m2 (mm)	313		341		
4.33 Load size		w x l (mm)	1200 / 1200				
4.33.1 Aisle width (a=10%)		Ast (mm)	6732		7112		7399
4.33.2 Aisle width (a=0)		Ast (mm)	6120		6465		6726
4.33.3 Aisle width (a=200)		Ast (mm)	6320		6665		6926
4.34 Load size		w x l (mm)	1200 / 800				
4.34.1 Aisle width (a=10%)		Ast (mm)	6292		6672		6959
4.34.2 Aisle width (a=0)		Ast (mm)	5720		6065		6326
4.34.3 Aisle width (a=200)		Ast (mm)	5920		6265		6526
4.35 Turning radius (outer)	Wa (mm)	4107		4180		4573	
4.36 Internal turning radius	b13 (mm)	1538		1453			
PERFORMANCE DATA	5.1 Travel speed laden/unladen T3**	km/h	29.7 / 30.9		27.4 / 29.0		
	5.2 Lifting speed laden/unladen 90cc T3	m/s	0.40 / 0.40		- / -		
	5.2.1 Lifting speed laden/unladen 111cc T3	m/s	0.47 / 0.54		0.36 / 0.40		
	5.2.2 Lifting speed laden/unladen 126cc T3	m/s	- / -				
	5.3 Lowering speed laden/unladen	m/s	0.54 / 0.48		0.54 / 0.48		
	5.5 Drawbar pull laden/unladen @ 1.6 km/hour T3	kN	95 / 97		99 / 102		99 / 101
	5.6 Drawbar pull laden/unladen @ stall T3	kN	105 / 107		111 / 114		112 / 114
	5.7 Gradeability laden/unladen @ 1.6 km/hour T3	%	42 / 33		33 / 31		34 / 35
	5.8 Gradeability laden/unladen @ stall T3	%	48 / 33		41 / 32		38 / 31
	5.1 Travel speed laden/unladen Stage T4**	km/h	29.7 / 30.9		27.4 / 29.0		
	5.2 Lifting speed laden/unladen 90cc T4	m/s	0.40 / 0.40		- / -		
	5.2.1 Lifting speed laden/unladen 111cc T4	m/s	0.50 / 0.54		- / -		
	5.2.2 Lifting speed laden/unladen 126cc T4	m/s	- / -		0.41 / 0.46		
	5.3 Lowering speed laden/unladen	m/s	0.54 / 0.48		0.54 / 0.48		
	5.5 Drawbar pull laden/unladen @ 1.6 km/hour T4	kN	100 / 102		100 / 1062		105 / 107
	5.6 Drawbar pull laden/unladen @ stall T4	kN	111 / 113		118 / 120		117 / 120
5.7 Gradeability laden/unladen @ 1.6 km/hour T4	%	45 / 33		32 / 38		35 / 31	
5.8 Gradeability laden/unladen @ stall T4	%	51 / 33		32 / 43		40 / 31	
ADD. INFORMATION	10.1 Operating pressure for attachments	MPa	19.5				
	10.2 Oil volume for attachments	l/min	100				
	10.3 Hydraulic tank capacity	l	109				
	10.4 Fuel tank capacity	l	151				
	10.4.1 DEF tank capacity	l	19				
	10.5 Steering design		Hydraulic power steering				
	10.6 Number of steering rotation		5.0				
	10.8 Towing coupling, model / type		Pin				

* Truck models based on Stage-V engine and Standard pin CRG without fork positioning.
 ** Travel speed laden/unladen limited at 25 km/h as factory default.

- All values are nominal values and they are subject to tolerances. For further information, please contact the manufacturer.
- Yale products might be subject to change without notice.
- Lift trucks illustrated may feature optional equipment.
- Values may vary with alternative configurations.

VDI 2198 – GENERAL SPECIFICATIONS

DISTINGUISHING MARK	Yale						
	GDP140EF	GDP160EF	GDP120EF12	GDP140EF12			
1.1	Manufacturer (abbreviation)						
1.2	Manufacturer's type designation						
1.3	Drive: electric (battery or mains), diesel, petrol, fuel gas						
1.4	Operator type: hand, pedestrian, standing, seated, orderpicker						
1.5	Rated capacity / rated load	Q (kg)	14500	16500	12500	14500	
1.6	Load centre distance	c (mm)	600		1200		
1.8	Load distance	x (mm)	889		941		
1.9	Wheelbase	y (mm)	3300		3500		
W.T	2.1	Service weight*	kg	18483	19459	19754	22353
	2.2	Axle loading, laden front / rear	kg	30249 / 2734	33225 / 2734	29368 / 2886	33338 / 3514
	2.3	Axle loading, unladen front / rear	kg	9206 / 9277	9280 / 10179	9407 / 10347	9968 / 12384
TYRES/CHASSIS	3.1	Tyres: P=pneumatic, V=solid, SE=Pneumatic Shape Solid				P	
	3.2	Tyres size, front				12.00-20 20PR	
	3.3	Tyres size, rear				12.00-20 20PR	
	3.5	Wheels, number front / rear (x = driven wheels)				4X / 2	
	3.6	Track width, front	b10 (mm)	1842		1844	
	3.7	Track width, rear	b11 (mm)	2018		2020	
	DIMENSIONS	4.1	Mast tilt : forward / backwards	(°)	15° / 12°		6° / 10°
4.2		Height of mast lowered (unloaded)	h1 (mm)	4193		4008	
4.3		Free lift	h2 (mm)	-			
4.4		Lift height (bottom of forks)	h3 (mm)	4910		4494	
4.5		Height of mast extended (unloaded)	h4 (mm)	6648		6255	
4.7		Height of overhead guard (open cab)	h6 (mm)	3083		-	
4.7.1		Height of overhead guard (closed cab)	h6 (mm)	3110		-	
4.7.2		Height of overhead guard (closed cab w/ airco)	h6 (mm)	3110		-	
4.7.3		Height of overhead guard (closed cab w/ strobe light)	h6 (mm)	3205		-	
4.7.4		Height of overhead guard (closed cab w/ work lights)	h6 (mm)	3259		-	
4.7.5		Height of overhead guard (closed cab w/ airco & strobe light)	h6 (mm)	3235		-	
4.8		Seat height (Seat Index Point, ISO 5353)	h7 (mm)	1903		-	
4.12		Coupling height	h10 (mm)	689		-	
4.17		Overhang	l5 (mm)	795	925		925
4.19		Overall length	l1 (mm)	6814	7754	7806	7806
4.20		Length to face of forks	l2 (mm)	4984	5314	5366	5366
4.21		Overall width truck	b2 (mm)	2541			
4.22		Fork dimensions	s/e/l (mm)	90 / 200 / 1830	90 / 200 / 2440	100 / 200 / 2440	100 / 200 / 2440
4.23		Carriage type		90mm standard pin type		100mm standard pin type	
4.24		Carriage width	b3 (mm)	2496		2540	
4.25		Distance over fork arms, minimum / maximum	b5 (mm)	534 / 2356		470 / 2440	
4.30	Sideshift (min / max)	b8 (mm)	- / -				
4.31	Ground clearance, under mast (w/o load)	m1 (mm)	245		225		
4.32	Ground clearance, centre of wheelbase	m2 (mm)	341				
4.33	Load size	w x l (mm)	1200 / 1200	2400 / 2400			
4.33.1	Aisle width (a=10%)	Ast (mm)	7399	9066	9123	9123	
4.33.2	Aisle width (a=0)	Ast (mm)	6726	8242	8294	8294	
4.33.3	Aisle width (a=200)	Ast (mm)	6926	8442	8494	8494	
4.34	Load size	w x l (mm)	1200 / 800	1930 / 1830	- / -	- / -	
4.34.1	Aisle width (a=10%)	Ast (mm)	6959	8439	-	-	
4.34.2	Aisle width (a=0)	Ast (mm)	6326	7672	-	-	
4.34.3	Aisle width (a=200)	Ast (mm)	6526	7872	-	-	
4.35	Turning radius (outer)	Wa (mm)	4573	4947	4874	4874	
4.36	Internal turning radius	b13 (mm)	1777	1940	1803	1803	
PERFORMANCE DATA	5.1	Travel speed laden/unladen T3**	km/h	27.4 / 29.0		27.1 / 29.0	
	5.2	Lifting speed laden/unladen 90cc T3	m/s	- / -			
	5.2.1	Lifting speed laden/unladen 111cc T3	m/s	0.36 / 0.40		- / -	
	5.2.2	Lifting speed laden/unladen 126cc T3	m/s	- / -		0.33 / 0.44	
	5.3	Lowering speed laden/unladen	m/s	0.54 / 0.48		0.54 / 0.45	
	5.5	Drawbar pull laden/unladen @ 1.6 km/hour T3	kN	99 / 102	99 / 101	98 / 101	98 / 101
	5.6	Drawbar pull laden/unladen @ stall T3	kN	111 / 114		111 / 113	
	5.7	Gradeability laden/unladen @ 1.6 km/hour T3	%	32 / 33	29 / 32	33 / 32	28 / 33
	5.8	Gradeability laden/unladen @ stall T3	%	37 / 33	33 / 32	38 / 32	32 / 33
	5.1	Travel speed laden/unladen Stage T4**	km/h	27.4 / 29.0		27.1 / 29.0	
	5.2	Lifting speed laden/unladen 90cc T4	m/s	- / -			
	5.2.1	Lifting speed laden/unladen 111cc T4	m/s	- / -			
	5.2.2	Lifting speed laden/unladen 126cc T4	m/s	0.41 / 0.46		0.39 / 0.44	
	5.3	Lowering speed laden/unladen	m/s	0.54 / 0.48		0.54 / 0.45	
	5.5	Drawbar pull laden/unladen @ 1.6 km/hour T4	kN	104 / 107		105 / 107	108 / 110
	5.6	Drawbar pull laden/unladen @ stall T4	kN	117 / 120		120 / 123	
5.7	Gradeability laden/unladen @ 1.6 km/hour T4	%	34 / 33	31 / 32	35 / 32	31 / 33	
5.8	Gradeability laden/unladen @ stall T4	%	39 / 33	35 / 32	40 / 32	35 / 33	
ADD. INFORMATION	10.1	Operating pressure for attachments	MPa	19.5			
	10.2	Oil volume for attachments	l/min	100			
	10.3	Hydraulic tank capacity	l	109			
	10.4	Fuel tank capacity	l	203			
	10.4.1	DEF tank capacity	l	19			
	10.5	Steering design		Hydraulic power steering			
	10.6	Number of steering rotation		5.0			
	10.8	Towing coupling, model / type		Pin			

* Truck models based on Stage-V engine and Standard pin CRG without fork positioning.
 ** Travel speed laden/unladen limited at 25 km/h as factory default.

- All values are nominal values and they are subject to tolerances. For further information, please contact the manufacturer.
- Yale products might be subject to change without notice.
- Lift trucks illustrated may feature optional equipment.
- Values may vary with alternative configurations.

VDI 2198 – GENERAL SPECIFICATIONS

DISTINGUISHING MARK	1.1 Manufacturer (abbreviation)		Yale				
	1.2 Manufacturer's type designation		GDP160EF(S)9	GDP160EF(S)12	GDP160EF9	GDP160EF12	
W.T	1.3 Drive: electric (battery or mains), diesel, petrol, fuel gas		Diesel				
	1.4 Operator type: hand, pedestrian, standing, seated, orderpicker		Seated				
TYRES/CHASSIS	1.5 Rated capacity / rated load		Q (kg)				
	1.6 Load centre distance		c (mm)				
	1.8 Load distance		x (mm)				
	1.9 Wheelbase		y (mm)				
DIMENSIONS	2.1 Service weight*		kg				
	2.2 Axle loading, laden front / rear		kg				
	2.3 Axle loading, unladen front / rear		kg				
	3.1 Tyres: P=pneumatic, V=solid, SE=Pneumatic Shape Solid		P				
	3.2 Tyres size, front		12.00 R 20				
	3.3 Tyres size, rear		12.00 R 20				
	3.5 Wheels, number front / rear (x = driven wheels)		4X / 2				
	3.6 Track width, front		b10 (mm)				
	3.7 Track width, rear		b11 (mm)				
	PERFORMANCE DATA	4.1 Mast tilt : forward / backwards		(°)			
4.2 Height of mast lowered (unloaded)		h1 (mm)					
4.3 Free lift		h2 (mm)					
4.4 Lift height (bottom of forks)		h3 (mm)					
4.5 Height of mast extended (unloaded)		h4 (mm)					
4.7 Height of overhead guard (open cab)		h6 (mm)					
4.7.1 Height of overhead guard (closed cab)		h6 (mm)					
4.7.2 Height of overhead guard (closed cab w/ airco)		h6 (mm)					
4.7.3 Height of overhead guard (closed cab w/ strobe light)		h6 (mm)					
4.7.4 Height of overhead guard (closed cab w/ work lights)		h6 (mm)					
4.7.5 Height of overhead guard (closed cab w/ airco & strobe light)		h6 (mm)					
4.8 Seat height (Seat Index Point, ISO 5353)		h7 (mm)					
4.12 Coupling height		h10 (mm)					
4.17 Overhang		l5 (mm)					
4.19 Overall length		l1 (mm)					
4.20 Length to face of forks		l2 (mm)					
4.21 Overall width truck		b2 (mm)					
4.22 Fork dimensions		s/e/l (mm)					
ADD. INFORMATION		4.23 Carriage type		100mm standard pin type			
		4.24 Carriage width		b3 (mm)			
	4.25 Distance over fork arms, minimum / maximum		b5 (mm)				
	4.30 Sideshift (min / max)		b8 (mm)				
	4.31 Ground clearance, under mast (w/o load)		m1 (mm)				
	4.32 Ground clearance, centre of wheelbase		m2 (mm)				
	4.33 Load size		w x l (mm)				
	4.33.1 Aisle width (a=10%)		Ast (mm)				
	4.33.2 Aisle width (a=0)		Ast (mm)				
	4.33.3 Aisle width (a=200)		Ast (mm)				
	4.34 Load size		w x l (mm)				
	4.34.1 Aisle width (a=10%)		Ast (mm)				
	4.34.2 Aisle width (a=0)		Ast (mm)				
	4.34.3 Aisle width (a=200)		Ast (mm)				
4.35 Turning radius (outer)		Wa (mm)					
4.36 Internal turning radius		b13 (mm)					
ADD. INFORMATION	5.1 Travel speed laden/unladen T3**		km/h				
	5.2 Lifting speed laden/unladen 90cc T3		m/s				
	5.2.1 Lifting speed laden/unladen 111cc T3		m/s				
	5.2.2 Lifting speed laden/unladen 126cc T3		m/s				
	5.3 Lowering speed laden/unladen		m/s				
	5.5 Drawbar pull laden/unladen @ 1.6 km/hour T3		kN				
	5.6 Drawbar pull laden/unladen @ stall T3		kN				
	5.7 Gradeability laden/unladen @ 1.6 km/hour T3		%				
	5.8 Gradeability laden/unladen @ stall T3		%				
	5.1 Travel speed laden/unladen Stage T4**		km/h				
	5.2 Lifting speed laden/unladen 90cc T4		m/s				
	5.2.1 Lifting speed laden/unladen 111cc T4		m/s				
	5.2.2 Lifting speed laden/unladen 126cc T4		m/s				
	5.3 Lowering speed laden/unladen		m/s				
5.5 Drawbar pull laden/unladen @ 1.6 km/hour T4		kN					
5.6 Drawbar pull laden/unladen @ stall T4		kN					
5.7 Gradeability laden/unladen @ 1.6 km/hour T4		%					
5.8 Gradeability laden/unladen @ stall T4		%					
ADD. INFORMATION	10.1 Operating pressure for attachments		MPa				
	10.2 Oil volume for attachments		l/min				
	10.3 Hydraulic tank capacity		l				
	10.4 Fuel tank capacity		l				
	10.4.1 DEF tank capacity		l				
	10.5 Steering design		Hydraulic power steering				
	10.6 Number of steering rotation		Pin				
	10.8 Towing coupling, model / type		Pin				

* Truck models based on Stage-V engine and Standard pin CRG without fork positioning.
 ** Travel speed laden/unladen limited at 25 km/h as factory default.

- All values are nominal values and they are subject to tolerances. For further information, please contact the manufacturer.
- Yale products might be subject to change without notice.
- Lift trucks illustrated may feature optional equipment.
- Values may vary with alternative configurations.

8-9 T RATED CAPACITY (KG) @ 600MM LOAD CENTRE, 2 STAGE NFL

Lift height h3+s (mm)	Lowered height h1 (mm)	Extended height h4 (mm)	Standard pin type carriage (kg)		Sideshift frame pin type carriage (kg)		QD DFSSFP carriage (kg)	
			GDP80DF	GDP90DF(L)	GDP80DF	GDP90DF(L)	GDP80DF	GDP90DF(L)
3250	3009.5	4597	8500	9500	8400	9400	8200	9200
3500	3134.5	4847	8500	9500	8400	9400	8200	9200
3750	3259.5	5097	8500	9500	8400	9400	8200	9200
4000	3384.5	5347	8500	9500	8400	9400	8200	9200
4500	3634.5	5847	8500	9500	8400	9400	8200	9200
4750	3759.5	6097	8500	9500	8400	9400	8200	9200
5000	3884.5	6347	8500	9500	8400	9400	8200	9200
5500	4134.5	6847	8360	9340	8300	9280	8080	9060

Capacity calculated with 1220mm forks Note: Addition of header hoses will add 16.5mm to OLH (h1) and OEH (h4)

10-12 T RATED CAPACITY (KG) @ 600MM LOAD CENTRE, 2 STAGE NFL

Lift height h3+s (mm)	Lowered height h1 (mm)	Extended height h4 (mm)	Standard pin type carriage (kg)		Sideshift frame pin type carriage (kg)		QD DFSSFP carriage (kg)	
			GDP100DFS	GDP120DF	GDP100DFS	GDP120DF	GDP100DFS	GDP120DF
2750	3010	4347	10500	12500	10400	12400	10200	12200
3000	3135	4597	10500	12500	10400	12400	10200	12200
3250	3260	4847	10500	12500	10400	12400	10200	12200
3500	3385	5097	10500	12500	10400	12400	10200	12200
3750	3510	5347	10500	12500	10400	12400	10200	12200
4000	3635	5597	10500	12500	10400	12400	10200	12200
4500	3885	6097	10500	12500	10400	12400	10200	12200
4750	4010	6347	10500	12500	10400	12400	10200	12200
5000	4135	6597	10500	12500	10400	12400	10200	12200
5500	4385	7097	10340	12320	10300	12320	10040	12000
6000	4635	7597	10160	12140	10100	12100	Capacity will vary based on side shift and tilt	
6250	4760	7847	10080	12060	10000	12000		
6500	4885	8097	9980	11960	9880	11880		
7000	5135	8597	9760	11740	9660	11640		

Capacity calculated with 1220mm forks Note: Addition of header hoses will add 17mm to OLH (h1) and OEH (h4)

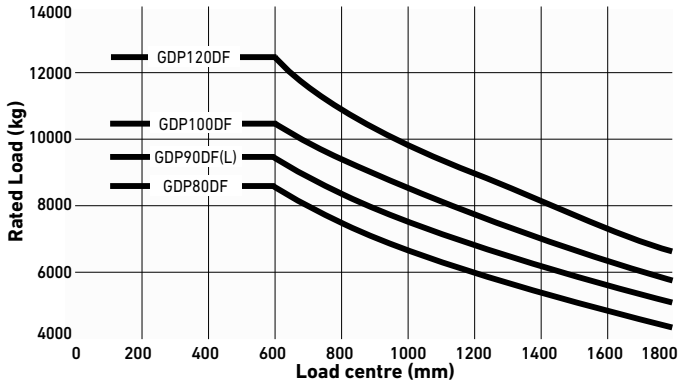
8-12 T RATED CAPACITY (KG) @ 600MM LOAD CENTRE, 3 STAGE FFL

Lift height h3+s (mm)	Lowered height h1 (mm)	Extended height h4 (mm)	Sideshift pin type carriage (kg)			
			GDP80DF	GDP90DF(L)	GDP100DFS	GDP120DF
5500	3012	6880	7420	8360	9400	11300
6000	3178	7380	7260	8220	9240	11120
6500	3345	7880	7080	8020	9040	10920
7000	3511	8380	6880	7780	8800	10660

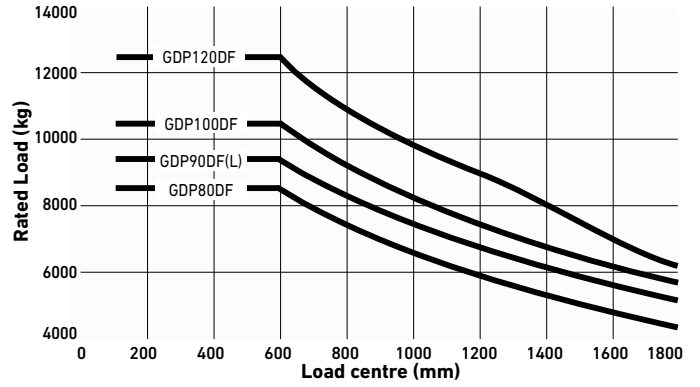
Capacity calculated with 1220mm forks

RATED CAPACITIES WITH 5000MM TOF 2-STAGE NFL MAST

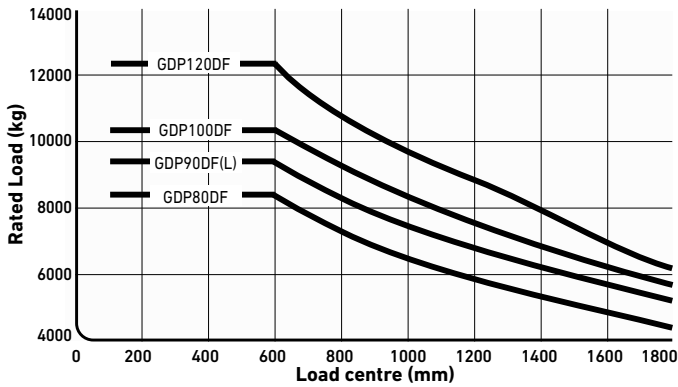
Standard Pin Type Carriage without Fork Positioner



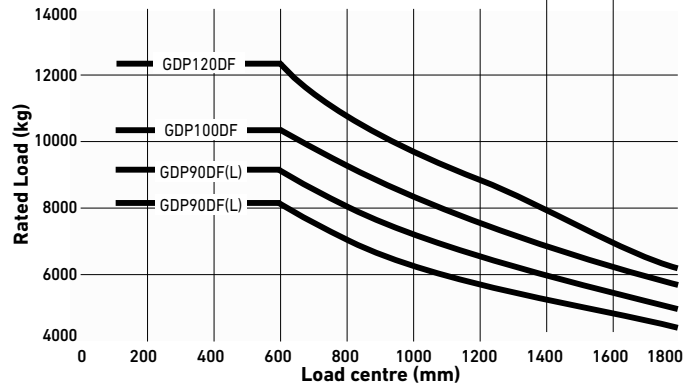
Pin Type Carriage with Fork Positioner



Pin Type Sideshift Carriage with Fork Positioner



DF-SS-FP Carriage



Load centre

Distance from front of forks to centre of gravity of load

Rated load

Based on vertical mast

Graphs

- Graphs are based on 5000mm TOF (h3 + s (mm)) lift height and 1220mm long forks
- Long load centre capacities are for reference only and will require longer forks
- Please request actual capacity based on the full configuration

13-16 T RATED CAPACITY (KG) @ 600MM LOAD CENTRE, 2 STAGE NFL

Lift height h3+s (mm)	Lowered height h1 (mm)	Extended height h4 (mm)	Standard pin type carriage (kg)					
			GDP130EF(S)	GDP140EF(S)	GDP130EF	GDP140EF	GDP160EF	GDP120EF12
2750	3068	4398	13500	14500	13500	14500	16500	12500
3000	3193	4648	13500	14500	13500	14500	16500	12500
3250	3318	4898	13500	14500	13500	14500	16500	12500
3500	3443	5148	13500	14500	13500	14500	16500	12500
3750	3568	5398	13500	14500	13500	14500	16500	12500
4000	3693	5648	13500	14500	13500	14500	16500	12500
4500	3943	6148	13500	14500	13500	14500	16500	12500
4750	4068	6398	13500	14500	13500	14500	16500	12500
5000	4193	6648	13500	14500	13500	14500	16500	12500
5500	4443	7148	13340	14340	13320	14320	16300	12360
6000	4693	7648	13160	14140	13140	14140	16120	12200
6250	4818	7898	13080	14060	13040	14040	16000	12100
6500	4943	8148	12960	13960	12920	13940	15900	12000
7000	5193	8648	12700	13760	12660	13720	15660	11800

Capacity calculated with 1830mm forks

Note: Addition of header hoses will add 17mm to OLH (h1) and OEH (h4)

13-16 T RATED CAPACITY (KG) @ 600MM LOAD CENTRE, 2 STAGE NFL

Lift height h3+s (mm)	Lowered height h1 (mm)	Extended height h4 (mm)	Sideshift frame pin type carriage (kg)					
			GDP130EF(S)	GDP140EF(S)	GDP130EF	GDP140EF	GDP160EF	GDP120EF12
2750	3068	4398	13500	14500	13500	14500	16500	12500
3000	3193	4648	13500	14500	13500	14500	16500	12500
3250	3318	4898	13500	14500	13500	14500	16500	12500
3500	3443	5148	13500	14500	13500	14500	16500	12500
3750	3568	5398	13500	14500	13500	14500	16500	12500
4000	3693	5648	13500	14500	13500	14500	16500	12500
4500	3943	6148	13500	14500	13500	14500	16500	12500
4750	4068	6398	13500	14500	13500	14500	16500	12500
5000	4193	6648	13500	14500	13500	14500	16500	12500
5500	4443	7148	13340	14340	13320	14320	16300	12360
6000	4693	7648	13160	14140	13140	14140	16120	12200
6250	4818	7898	13080	14060	13040	14040	16000	12100
6500	4943	8148	12960	13960	12920	13940	15900	12000
7000	5193	8648	12700	13760	12660	13720	15660	11800

Capacity calculated with 1830mm forks

Note: Addition of header hoses will add 17mm to OLH (h1) and OEH (h4)

13-16 T RATED CAPACITY (KG) @ 600MM LOAD CENTRE, 2 STAGE NFL

Lift height h3+s (mm)	Lowered height h1 (mm)	Extended height h4 (mm)	QD DFSSFP carriage (kg)							
			GDP130EF(S)	GDP140EF(S)	GDP130EF	GDP140EF	GDP160EF	GDP120EF12		
2750	3068	4398	13100	14400	13100	14400	16100	12000		
3000	3193	4648	13100	14400	13100	14400	16100	12000		
3250	3318	4898	13100	14400	13100	14400	16100	12000		
3500	3443	5148	13100	14400	13100	14400	16100	12000		
3750	3568	5398	13100	14400	13100	14400	16100	12000		
4000	3693	5648	13100	14400	13100	14400	16100	12000		
4500	3943	6148	13100	14400	13100	14400	16100	12000		
4750	4068	6398	13100	14400	13100	14400	16100	12000		
5000	4193	6648	13100	14400	13100	14400	16100	12000		
5500	4443	7148	12700	12720	12880	13640	14040	12000		
6000	4693	7648	Capacity will vary based on side shift and tilt							
6250	4818	7898								
6500	4943	8148								
7000	5193	8648								

Capacity calculated with 1830mm forks

Note: Addition of header hoses will add 17mm to OLH (h1) and OEH (h4)

Capacity calculated with bias tires, radial tyres will give a higher derate for DFSSFP carriage above 5000 mm Lift Height

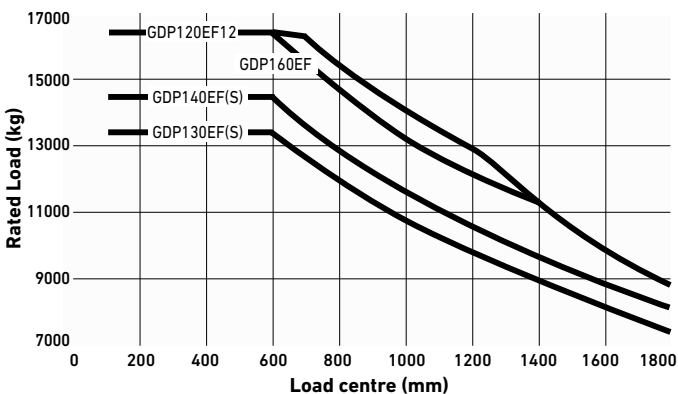
13-16 T RATED CAPACITY (KG) @ 600MM LOAD CENTRE, 3 STAGE FFL

Lift height h3+s (mm)	Lowered height h1 (mm)	Extended height h4 (mm)	Sideshift pin type carriage (kg)					
			GDP130EF(S)	GDP140EF(S)	GDP130EF	GDP140EF	GDP160EF	GDP120EF12
4500	3103	6180	12000	12900	12000	12900	14720	11440
5000	3269	6680	11960	12840	11960	12840	14660	11400
6000	3602	7680	11580	12460	11580	12460	14240	11080
7000	3935	8680	11060	11940	11060	11940	13720	10680

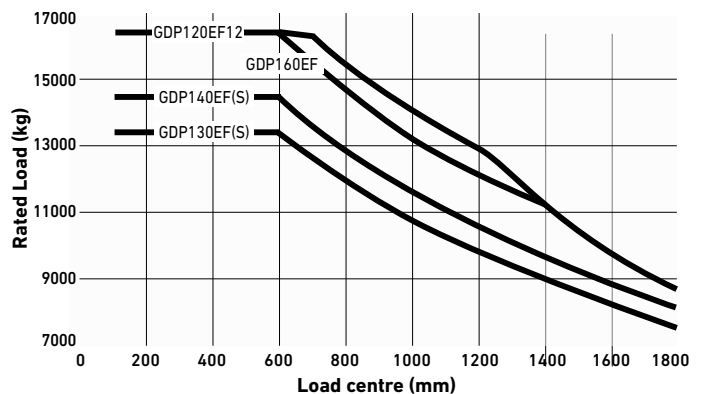
Capacity calculated with 1830mm forks

RATED CAPACITIES WITH 5000 MM TOF NFL MAST

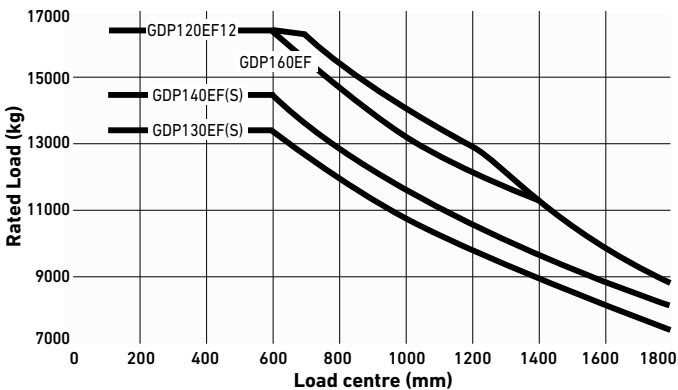
Standard Pin Type Carriage without Fork Positioner



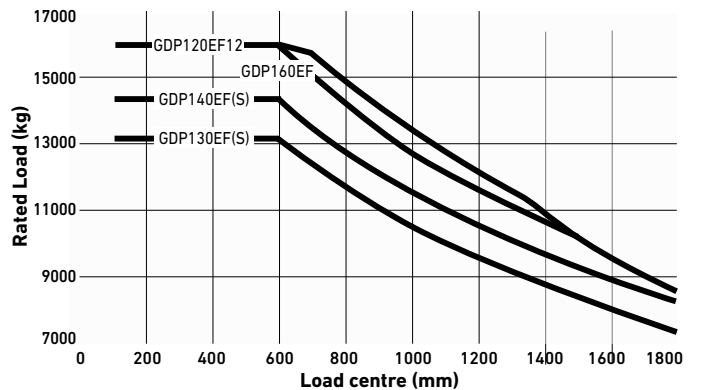
Standard Pin Type Carriage with Fork Positioner



Pin Type Sideshift Frame Carriage with Fork Positioner



DF-SS-FP Carriage



Load centre

Distance from front of forks to centre of gravity of load

Rated load

Based on 5000mm 2-stage TOF NFL mast

Graphs

- Graphs are based on 5000mm TOF (h3 + s (mm)) lift height
- EF models are calculated with 1830 mm long forks
- EF12 models are calculated with 2440mm long forks
- Long load centre capacities are for reference only and will require longer forks
- Please request actual capacity based on the full configuration

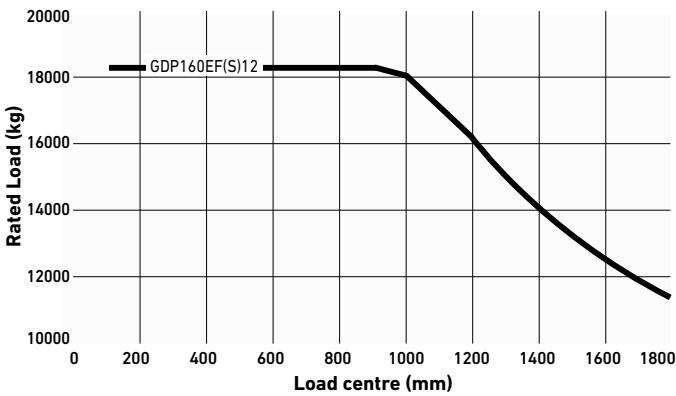
16@1200 RATED CAPACITY (KG) @ 1200MM LOAD CENTRE, 2 STAGE NFL

Lift height h3+s (mm)	Lowered height h1 (mm)	Extended height h4 (mm)	1200mm load centre, 2 stage NFL							
			Standard pin type carriage (kg)		Sideshift frame pin type carriage (kg)		QD DFSSFP carriage (kg)		DFSSFP Integrated forks carriage (kg)	
			GDP160EF(S)12	GDP160EF12	GDP160EF(S)12	GDP160EF12	GDP160EF(S)12	GDP160EF12	GDP160EF(S)12	GDP160EF12
3984	3703	5645	16000	16000	16000	16000	16000	16000	16000	16000
4594	4008	6255	16000	16000	16000	16000	16000	16000	16000	16000
5406	4414	7067	16000	16000	16000	16000	14740	14960	14880	15100
6219	4821	7880	16000	16000	15940	15920	Capacity will vary based on sideshift and tilt		Capacity will vary based on sideshift and tilt	

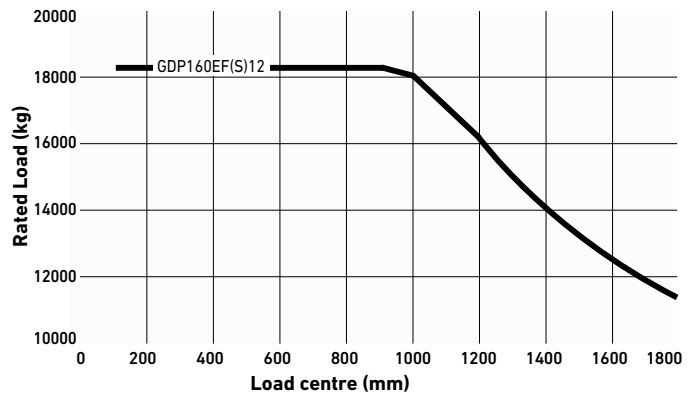
Capacity calculated with 2440mm forks Note: Addition of header hoses will add 17mm to OLH (h1) and OEH (h4)

RATED CAPACITIES

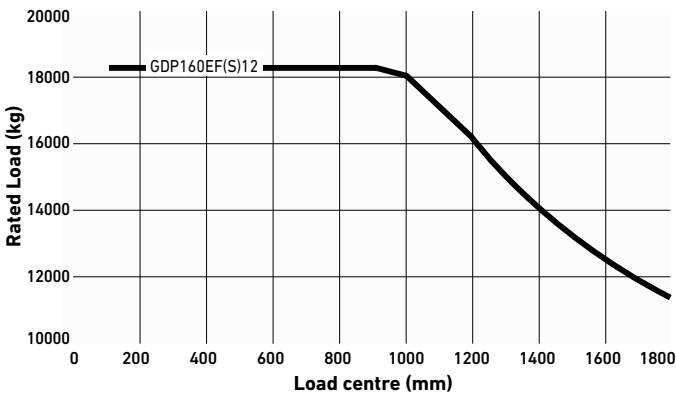
Standard Pin Type Carriage without Fork Positioner



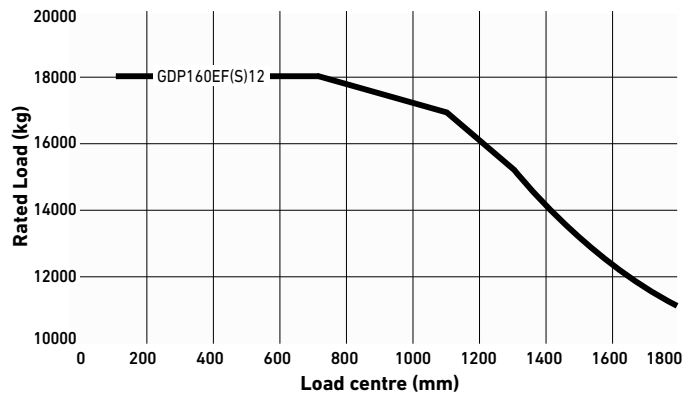
Pin Type Carriage with Fork Positioner



Pin Type Sideshift Frame Carriage with Fork Positioner



DF-SS-FP Carriage



Load centre

Distance from front of forks to centre of gravity of load

Rated load

Based on 5000mm 2-stage TOF NFL mast

Graphs

- Graphs are based on 4594mm TOF (h3 + s (mm) lift height and 2440mm long forks
- Long load centre capacities are for reference only and will require longer forks
- Please request actual capacity based on the full configuration

POWERTRAINS

GENERAL	1.1	Manufacturer		Yale	Yale	Yale
	1.2	Manufacturer's type designation		GDP90DF(L), GDP100-160DF/EF(S), GDP160EF(S)9, GDP120-160EF(S)12	GDP80-120DF(S) GDP90DF(L)	GDP90DF(L), GDP100-160DF/EF(S), GDP160EF(S)9, GDP120-160EF(S)12
	1.3	Drive: electric (battery or mains), diesel, petrol, fuel gas		Diesel	Diesel	Diesel
	1.9	Wheelbase	y (mm)	2900 - 3750	2700-2900	2700-3750
ENGINE	7.1	Engine manufacturer / model		Cummins QSB 6.7 Tier 3 / Stage IIIA	Cummins QSB 4.5 Tier 4 / Stage IV	Cummins QSB 6.7 Tier 4 / Stage IV
	7.2	Engine power output according to ISO 1585 nominal	kW	116 @ 2300rpm	119 @ 2300rpm	122 @ 2300rpm
	7.2.1	Engine power output according to ISO 1585 max.	kW	116 @ 2300rpm	122 @ 2200rpm	125 @ 2100rpm
	7.2.2	Maximum engine torque	Nm	597 @ 1500rpm	624 @ 1500rpm	732 @ 1500rpm
	7.3	Rated speed	rpm	2300	2300	2300
	7.4	Number of cylinders / displacement	# / cm3	6 / 6700	4 / 4500	6 / 6700
	7.5	Fuel consumption in accordance to VDI	l/h	Call	Call	Call
	7.8	Alternator output	Amps	120	120	120
	7.10	Battery voltage / nominal capacity	V / Ah	24 / 102	24 / 102	24 / 102
	ADD. DATA	10.7	Sound pressure level at the driver's seat ⁽¹⁾	dB(A)	-	-
10.7.1		Sound power level during the working cycle ⁽¹⁾	dB(A)	TBD	TBD	TBD

⁽¹⁾ Sound level(s) based on low mount exhaust

POWERTRAINS

GENERAL	1.1	Manufacturer		Yale	Yale
	1.2	Manufacturer's type designation		GDP80-120DF(S), GDP90DF(L)	GDP130-160EF(S), GDP160-160EF(S), GDP120-160EF(S)12
DRIVE TRAIN	8.1	Type of drive unit		Torque Converter	Torque Converter
	8.2	Transmission Manufacturer / Type		ZF / 3WG161	ZF / 3WG161
	8.3	Drive axle Manufacturer / Type		Kessler D61	Kessler D81
	8.4	Service brake		Oil immersed disc	Oil immersed disc
	8.5	Parking brake		Dry disc on drive axle	Dry disc on drive axle

STANDARD EQUIPMENT ALL TRUCKS

- Hydraulic driven cooling fan
- Performance modes
- Powertrain protection system
- Heavy duty air intake
- Low mount exhaust (below chassis)
- ZF Transmission WG161 3-speeds forward/3-speeds reverse auto-shifting
- Kessler drive axle with wet disc brakes
- On-demand load sensing hydraulic system
- Automatic throttle-up when lifting (in neutral or inching)
- Pressure compensated lowering
- Open operator compartment (without doors and screens)
- Manual tilt operator compartment for service
- Isolated cabin mounting for low noise and vibration
- Operator presence system
- Mechanical suspension seat
- Low backrest seat
- Vinyl seat cover
- 2-point high visibility seatbelt
- Floor mat
- Coat hook
- "I"-pattern front wiper (Enclosed operator cabin)
- Top window with armoured glass (Enclosed operator cabin)
- 7" Integrated performance display
- Accutouch mini levers hydraulic control integrated in control arm
- Steering wheel with spinner knob
- Directional control lever
- Park brake - manual
- Heater with adjustable speed fan (enclosed operator cabin)
- Telescoping and tilting steering column
- USB outlet inside armrest
- Interior wide angle mirrors
- Halogen work lights
- Two rearward work lights mounted on the cabin
- LED stop/tail/brake lights
- Turn signals, hazard and marker lights (LED)
- Electric horn 105 dBA
- Yale Vision wireless asset management system
- Power distribution group with fuses
- Non-lockable fuel cap
- 24 volt electrical system
- Yale Gold paint base truck
- Literature package
- Operator's manual
- Seatbelt interlock on sequence for truck start
- 24 Months / 4000 Hours Parts manufacturer's warranty

OPTIONAL EQUIPMENT ALL TRUCKS

- Heavy duty air intake (raised)
- High mount exhaust
- Speed limiter - unconditional and customer adjustable
- Travel speed limiter - loaded (adjustable)
- Hydraulic accumulator
- Hydraulic system temperature protection
- Mast tilt indicator - mechanical
- Enclosed operator cabin
- Powered tilt operator compartment for service
- Air suspension seat
- Truck Start with key switch and start button
- Deluxe air suspension seat
- High backrest seat
- Additional armrest on left side
- Cloth seat cover
- Seat heating

OPTIONAL EQUIPMENT ALL TRUCKS (CONTINUED)

- Seat ventilation
- Lateral seat sliding mechanism
- "H"-pattern front wiper (Enclosed operator cabin)
- Front, top and rear wipers with individual controlled washers
- Tinted operator compartment windows (all)
- Tinted operator compartment top window
- Plexiglass shield in front of front window
- Wire mesh installed on top of operator compartment
- Steel bars under armoured glass top window (enclosed operator cabin)
- Operator shield wire mesh
- Joystick hydraulic control integrated in control arm
- Directional control on Mini-levers or Joystick
- FDC pedal directional control
- Park brake - automatic
- Diesel fueled cabin heater
- 24-12 DC converter with 2 sockets and 2 USB outlets
- Automatic climate control
- Reading light
- Sun shades on top and rear
- Sun visors front window
- Trainer seat
- Recirculation fan
- Accessory mounting bar on cab front right pillar
- Document holder on cab front right pillar
- Heated top- and/or rear window
- Radio preparation set-up (wiring, two speakers and antenna)
- Bluetooth radio with 2 speakers and antenna
- Exterior mirrors mounted to cab
- Rear view camera system
- Radar object detection system
- LED work lights
- High Performance LED work lights
- Two head lights mounted on front fenders
- Mast mounted work lights
- Four cabin mounted work lights
- Air horn 112 dBA
- Visible alarm - Amber strobe light, key switch activated
- Audible alarm - reverse direction activated 82-102 dB(A), self-adjusting
- Audible alarm - reverse direction white noise
- Forward / reverse motion alarm
- Blue LED spotlight - rear / front and rear
- CE certification
- Tyre pressure monitoring system
- Air-conditioning or automatic climate control off with open door
- Automatic truck shutdown with timer
- Lockable battery disconnect switch
- Battery jump start connector (NATO plug)
- Operator password (display) for truck start
- Fuses partially replaced by electric circuit breakers
- Lockable fuel cap
- Diesel fuel inlet strainer in filler neck
- Yale Vision wireless asset management system
- Yale Vision wireless asset management - Access / Verification
- Yale Vision wireless asset management - Monitoring
- Auto greasing system for basic truck and outer mast
- Steer wheel lug nut protection
- Front mud flaps
- Rear mud flaps
- Lifting eyes - 2 front and 2 rear
- Special paint base truck
- Operator compartment special paint (outside only)
- Hazard warning striping on counterweight
- 12 Months / 2000 Hours Parts manufacturer's warranty

STANDARD EQUIPMENT

GDP90DF(L), GDP100DF, GDP120DF

- 10.00 - 20 16PR Pneumatic Bias Ply drive and steer tyres
- 90cc Dual pump hydraulic system
- 2 stage Non Free Lift 9t and 12t mast
- Mast tilt - 15° forward / 12° back
- 2400mm (94.3") Pin type standard carriage

GDP130EF(S), GDP130EF, GDP140EF(S), GDP140EF, GDP160EF, GDP120EF12

- 12.00 - 20 20PR Trelleborg Pneumatic Bias Ply drive and steer tyres
- 126cc dual pump hydraulic system
- 2 Stage Non Free Lift 16T mast
- Mast tilt - 15° forward / 12° back
- 2400mm (94.3") Pin type standard carriage

GDP160EF(S)12, GDP160EF12

- 12.00 - 20 20 Pneumatic Bias Drive tyres
- 126cc dual pump hydraulic system
- 2 Stage Non Free Lift mast 18t
- Mast tilt - 6° forward / 10° back
- 2540mm (100") Pin type carriage with mechanical fork locks
- 2440mm (96") length integral fork

OPTIONAL EQUIPMENT

GDP90DF(L), GDP100DF, GDP120DF

- 10.00 - R20 Radial Michelin XZM drive and steer tyres
- 10.00 - R20 Radial Trelleborg drive and steer tyres
- 10.00 - 20 Pneumatic Shaped Solid drive and steer tyres
- Spare wheels and tyres
- 111cc Dual pump hydraulic system
- Four mast mounted work lights
- 2 Stage Full Free Lift 12t mast (can be used on lower capacity models)
- 3 Stage Full Free Lift 12t mast (can be used on lower capacity models)
- Mast tilt - 5° forward / 6° back
- Mast tilt - 5° forward / 12° back
- Mast tilt - 15° forward / 10° back
- Mast tilt - 20.5° forward / 7° back
- 2400mm (94.3") Pin type carriage with simultaneous and independent fork positioner
- 2400mm (94.3") Pin type integral sideshift carriage
- 2400mm (94.3") Pin type integral sideshift carriage with simultaneous fork positioner
- 2400mm (94.3") Pin type integral sideshift carriage with simultaneous and independent fork positioner
- 2400mm (94.5") QD Hook type dual function sideshift carriage with simultaneous and independent fork positioner
- 2400mm (94.4") QD Hook type dual function sideshift carriage with simultaneous fork positioner and 2 auxiliary functions
- 2500mm (98") High load backrest (for lumber applications)
- 1760mm (69") High load backrest
- 2010mm (79") High load backrest
- Pin type forks (various sizes)
- Hook type quick disconnect DFSSFP forks (various sizes)

OPTIONAL EQUIPMENT (CONTINUED)

GDP90DF(L), GDP100DF, GDP120DF

- 10.00 - 20 16PR Pneumatic Bias Ply drive and steer tyres
- 90cc Dual pump hydraulic system
- 2 stage Non Free Lift 9t and 12t mast
- Mast tilt - 15° forward / 12° back
- 2400mm (94.3") Pin type standard carriage

GDP130EF(S), GDP130EF, GDP140EF(S), GDP140EF, GDP160EF, GDP120EF12

- 12.00 - 20 20PR Trelleborg Pneumatic Bias Ply drive and steer tyres
- 126cc dual pump hydraulic system
- 2 Stage Non Free Lift 16T mast
- Mast tilt - 15° forward / 12° back
- 2400mm (94.3") Pin type standard carriage

GDP160EF(S)12 GDP160EF12

- 12.00 - 20 20 Pneumatic Bias Drive tyres
- 126cc dual pump hydraulic system
- 2 Stage Non Free Lift mast 18t
- Mast tilt - 6° forward / 10° back
- 2540mm (100") Pin type carriage with mechanical fork locks
- 2440mm (96") length integral fork

GDP90DF(L), GDP100DF, GDP120DF

- 10.00 - R20 Radial Michelin XZM drive and steer tyres
- 10.00 - R20 Radial Trelleborg drive and steer tyres
- 10.00 - 20 Pneumatic Shaped Solid drive and steer tyres
- Spare wheels and tyres
- 111cc Dual pump hydraulic system
- Four mast mounted work lights
- 2 Stage Full Free Lift 12t mast (can be used on lower capacity models)
- 3 Stage Full Free Lift 12t mast (can be used on lower capacity models)
- Mast tilt - 5° forward / 6° back
- Mast tilt - 5° forward / 12° back
- Mast tilt - 15° forward / 10° back
- Mast tilt - 20.5° forward / 7° back
- 2400mm (94.3") Pin type carriage with simultaneous and independent fork positioner
- 2400mm (94.3") Pin type integral sideshift carriage
- 2400mm (94.3") Pin type integral sideshift carriage with simultaneous fork positioner
- 2400mm (94.3") Pin type integral sideshift carriage with simultaneous and independent fork positioner
- 2400mm (94.5") QD Hook type dual function sideshift carriage with simultaneous and independent fork positioner
- 2400mm (94.4") QD Hook type dual function sideshift carriage with simultaneous fork positioner and 2 auxiliary functions
- 2500mm (98") High load backrest (for lumber applications)
- 1760mm (69") High load backrest
- 2010mm (79") High load backrest
- Pin type forks (various sizes)
- Hook type quick disconnect DFSSFP forks (various sizes)

GDP130EF(S), GDP130EF, GDP140EF(S), GDP140EF, GDP160EF, GDP120EF12

- 12.00 - R20 Michelin XZM Radial drive and steer tyres

Pin type carriage with simultaneous and independent fork positioner (for Lumber applications).



Pin type standard carriage.



Pin type carriage with simultaneous and independent fork positioner.



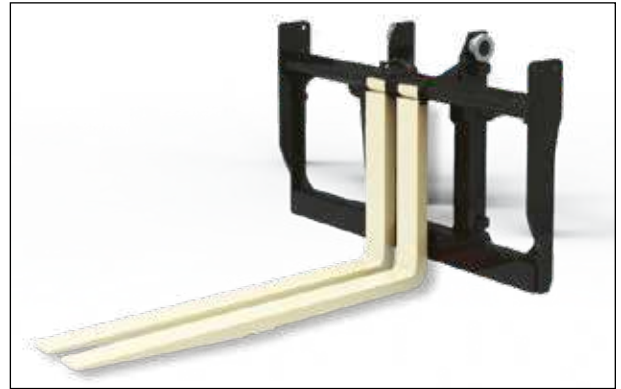
Pin type integral Sideshift frame carriage.



Pin type integral Sideshift frame carriage.



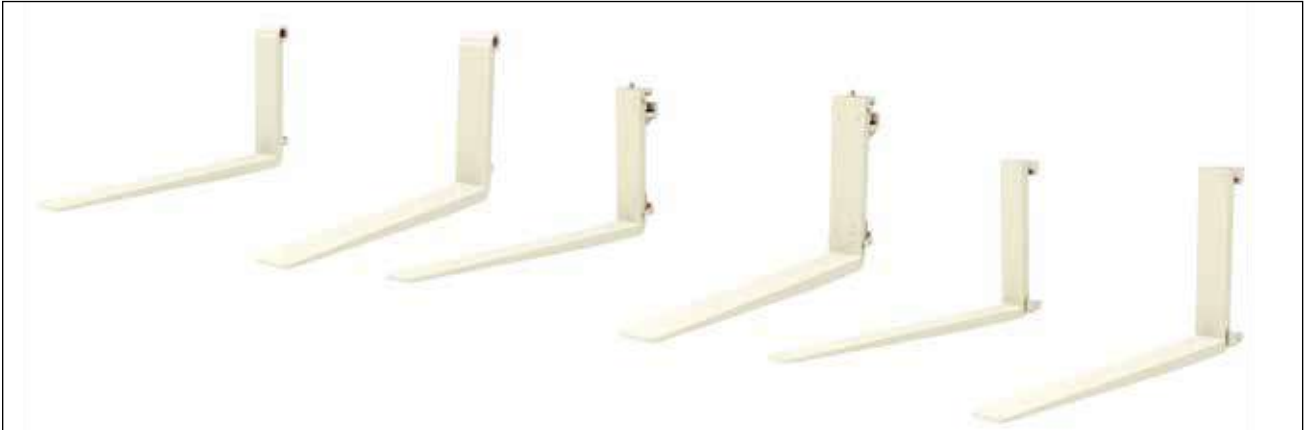
Pin type frame carriage.



QD hook type Dual Function sideshift with simultaneous and independent fork positioner.



Range of pin type and hook type forks.



Pin type carriage without fork positioner.



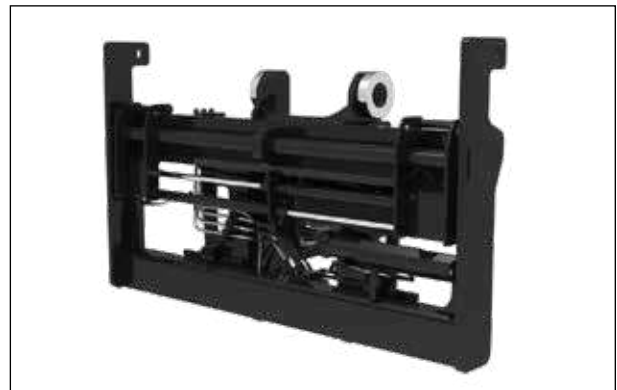
Pin type carriage with fork positioner.



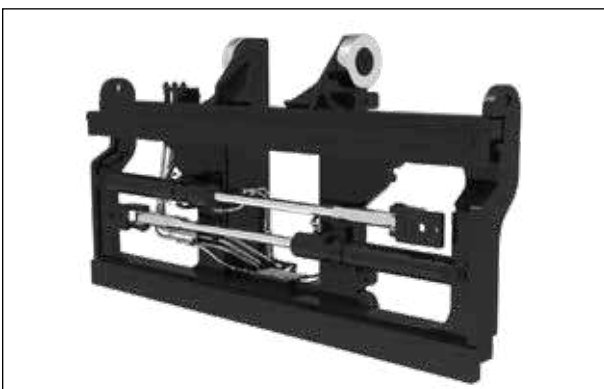
Pin type integral sideshift frame carriage without fork positioner.



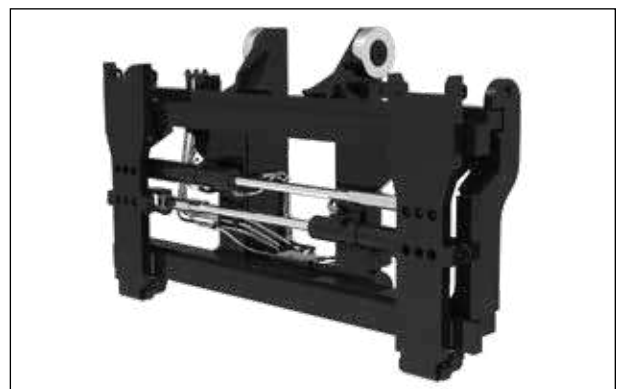
Pin type integral sideshift frame carriage with fork positioner.



Integral hook type dual function sideshift carriage with fork positioner.



QD hook type dual function sideshift carriage with fork positioner.



About Yale



Yale Lift Truck Technologies leverages over a century of material handling experience and substantial investment in innovation to bring the most advanced technology-driven lift truck solutions to market. The company offers a full line of award-winning lift trucks, including reach trucks, order pickers, turret trucks, pallet jacks and trucks, pallet stackers, tow tractors and counterbalanced forklifts, as well as powerful operator assist solutions, proven robotics and a wide range of power sources to help customers adapt to today's demanding supply chain. Yale and its independent dealer network support these solutions with comprehensive after-sales service, parts, financing and training.

Yale Lift Truck Technologies is a trading name of Hyster-Yale Asia-Pacific Pty Ltd., a wholly owned subsidiary of Hyster-Yale Materials Handling, Inc. (NYSE:HY) which is headquartered in Cleveland, Ohio and operates globally.

MATERIALS HANDLING FOR:

3PL

Auto Parts Distribution

Beverage

Cold & Frozen Foods

Food Distribution

Food Processing

Furniture & Furnishings

Government

Health & Pharma

Home Centers

Retail & E-commerce

Yale Pacific

1/23 Rowood Road, Prospect NSW 2148


Tel: +61 (2) 9795 3800 | Fax: +61 (2) 9792 8484

Yale Asia

16 Tuas Avenue 20, Singapore 638827

Tel: +65 6863 3387 | Fax: +65 6863 3349

yale.com

© 2023 Hyster-Yale Group, Inc., all rights reserved. YALE and  are trademarks of Hyster-Yale Group, Inc. Trucks may be shown with optional equipment and/or features not available in all regions. Specifications and details in this brochure are subject to change without prior notification.