

ERP 5.0-7.0MXLG

Electric forklift trucks

5,000-7,000 kg



Reliability and durability

- Proven and tested structural design is ideal for indoor and outdoor working conditions
- Intensive environmental testing enables reliability and durability
- Water cooled motors and controllers to maintain optimal operating temperatures
- Lithium battery
 - Side charging minimises need to open battery compartment
 - Automatic heating function manages temperature recovery during discharge and before charging



Ergonomics and comfort

- Ergonomic design and optimized operator compartment improves driving experience
- Multiple seat options to suit most operator sizes
- Informative colour display including performance mode settings
- Wide view mast provides good forward visibility
- Large tire size and high ground clearance provides optimal performance on uneven ground conditions



High efficiency and performance

- High efficiency permanent magnet motor and controller system
 - Provides up to 95% working efficiency
 - Reduces energy consumption by 20%
- IPX4 waterproof rating
 - Enables continuous operation in wet conditions
- BMS and controller with leakage detection system
- Permanent magnet synchronous motor delivers high efficiency

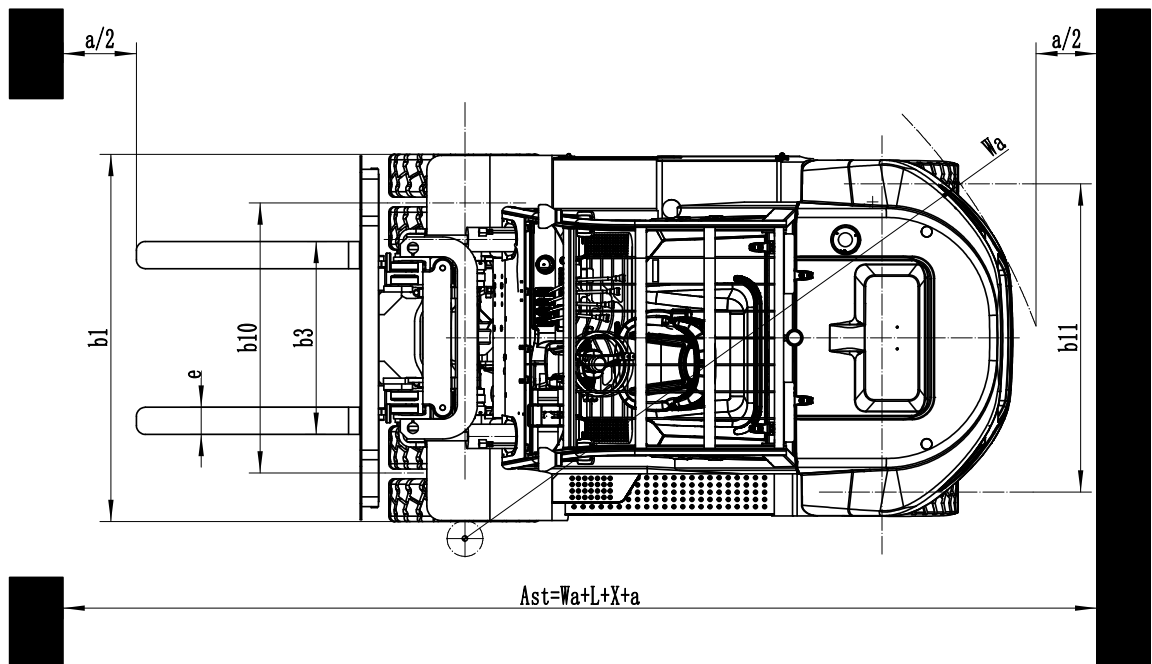
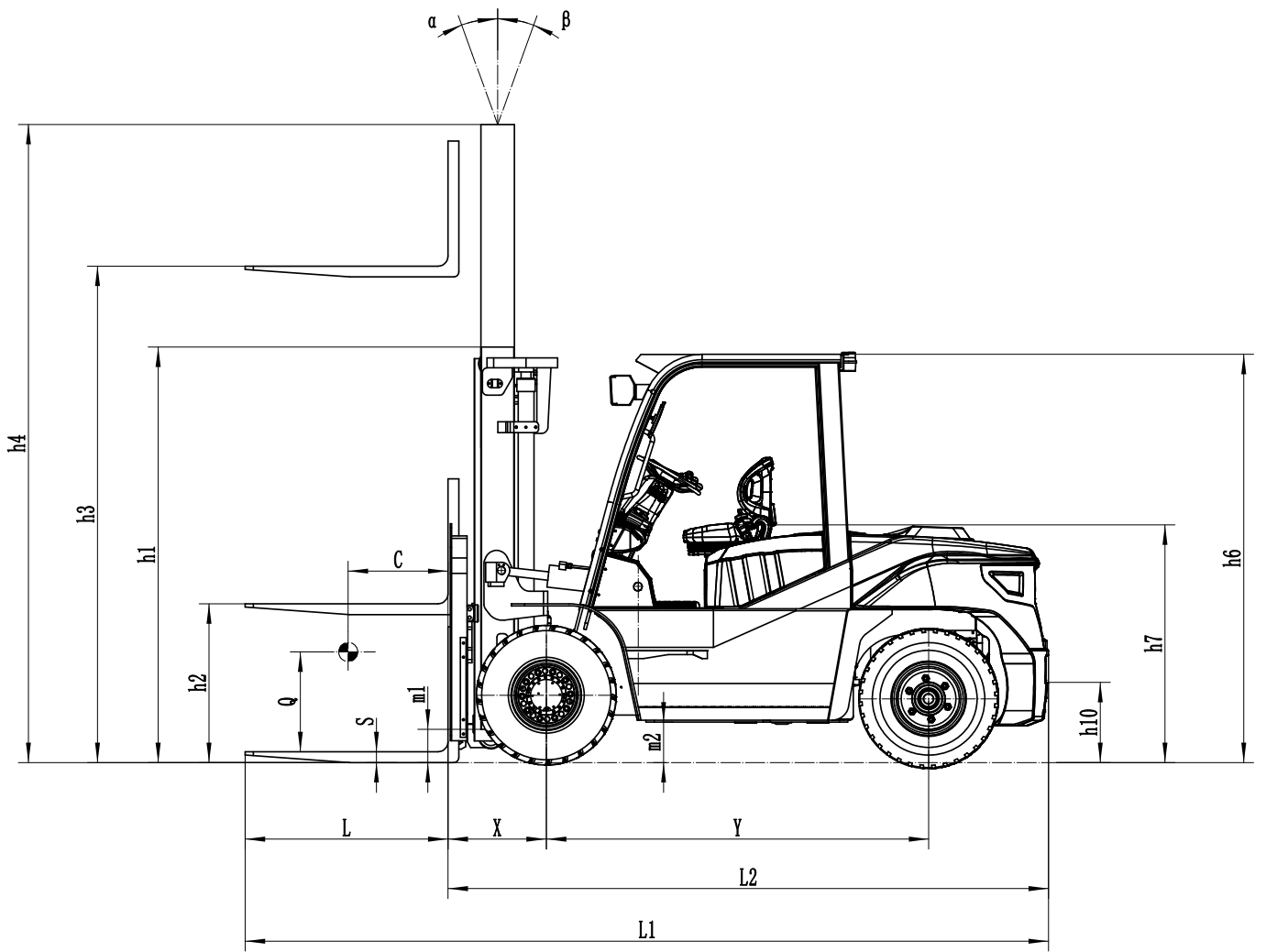


Other features

- Standard curve deceleration
- Standard energy saving bright LED lights
- Standard USB charge ports
- Standard operator presence system
- Optional dual wheels
- Optional wet brake axle
- Optional automatic park brake
- Optional telemetry
- Optional minilevers



TRUCK DIMENSIONS



ERP5.0-7.0MXLG SPECIFICATIONS

DISTINGUISHING MARK			Yale			
			ERP5.0MXLG6	ERP6.0MXLG6	ERP7.0MXLG6	
1.1	Manufacturer					
1.2	Model designation		ERP5.0MXLG6	ERP6.0MXLG6	ERP7.0MXLG6	
1.3	Drive: electric(battery or mains), diesel, petrol, fuel gas		Electric	Electric	Electric	
1.4	Operator type: hand, pedestrian, standing, seated, order-picker		Seat	Seat	Seat	
1.5	Rated capacity/rated load	Q (kg)	5000	6000	7000	
1.6	Load centre distance	c (mm)	600	600	600	
1.8	Load distance, centre of drive axle to fork	x (mm)	590	590	590	
1.9	Wheelbase (with mast vertical)	y (mm)	2300	2300	2300	
WEIGHT	2.1	Service weight	kg	8510	9185	9800
	2.2	Axle loading, laden front/rear	kg	11980/1530	13466/1719	14900/1900
	2.3	Axle loading, unladen front/rear	kg	3900/4610	4133/5052	4200/5600
TYRES/CHASSIS	3.1	Tyres: Solid rubber, superelastic, pneumatic, polyurethane		Pneumatic	Pneumatic	Pneumatic
	3.2	Tyre size, front		8.25-15-14PR	8.25-15-14PR	8.25-15-14PR
	3.3	Tyre size, rear		8.25-15-14PR	8.25-15-14PR	8.25-15-14PR
	3.5	Wheels, number front/rear		4x2	4x2	4x2
	3.6	Tread, front	b10 (mm)	1489	1489	1489
	3.7	Tread, rear	b11 (mm)	1700	1700	1700
	DIMENSIONS	4.1	Tilt of mast/fork carriage, forward/backward	α / β (°)	10/12	10/12
4.2		Height, mast lowered	h1 (mm)	2500	2500	2625
4.3		Free lift	h2 (mm)	205	205	205
4.4		Lift	h3 (mm)	3000	3000	3000
4.5		Height, mast extended	h4 (mm)	4425	4425	4425
4.7		Height of overhead guard (cabin)	h6 (mm)	2450	2450	2450
4.8		Seat height/stand height	h7 (mm)	1400	1400	1400
4.12		Towing coupling height	h10 (mm)	345	345	345
4.19		Overall length	l1 (mm)	4715	4785	4830
4.20		Length to face of forks	l2 (mm)	3495	3565	3610
4.21		Overall width	b1 (mm)	2020	2020	2020
4.22		Fork dimensions ISO2331	s/e/l (mm)	65/150/1220	65/150/1220	65/150/1220
4.23		Fork carriage ISO 2328. Class/type, A/B		ISO 4A	ISO 4A	ISO 4A
4.24		Fork carriage width	b3 (mm)	1845	1845	1845
4.31		Ground clearance, laden, below mast	m1 (mm)	200	200	200
4.32		Ground clearance, centre of wheelbase	m2 (mm)	230	230	230
4.33		Load dimension b12 x l6 crossways	b12 x l6 (mm)	1000x1000	1000x1000	1000x1000
4.34.1		Aisle width with pallets 1000mm x 1200mm crossways	Ast (mm)	5260	5310	5370
4.35		Turning radius	Wa (mm)	3250	3300	3360
4.36		Inner turning radius	b13 (mm)	1105	1105	1105
PERFORMANCE DATA	5.1	Travel speed, laden/unladen	km/h	19/20	19/20	19/20
	5.1.1	Travel speed, laden/unladen, backwards	km/h	19/20	19/20	19/20
	5.2	Lifting speed, laden/unladen	mm/s	340/400	340/400	340/400
	5.3	Lowering speed laden/unladen	mm/s	500/400	500/400	500/400
	5.5	Drawbar pull laden/unladen	N	45000/40000	45000/40000	45000/40000
	5.8	Maximum gradeability, laden/unladen	%	20/20	20/20	20/20
	5.9	Acceleration time, laden/unladen 15m	sec	4.06/4.05	4.06/4.05	4.06/4.05
5.10	Service brake		Hydraulic	Hydraulic	Hydraulic	
ELECTRIC ENGINE	6.1	Drive motor rating S2 60 min	Kw	40KW/2400rpm	40KW/2400rpm	40KW/2400rpm
	6.2	Lift motor rating at S3 15 %	Kw	2x20KW	2x20KW	2x20KW
	6.3	Battery according to DIN 43531/35/36 A, B, C, no		NO	NO	NO
	6.4	Battery voltage/nominal capacity K5	(V)/(Ah)	352/228	352/228	352/228
	6.5	Battery weight	kg	740	740	740
	6.6	Energy consumption according to VDI cycle	kWh/h	19.18	19.18	19.18
	6.7	Turnover output	t/h	357	357	357
	6.8	Energy consumption at turnover output	kWh in 1 h	18.7	18.7	18.7
8.1	Type of drive unit		AC	AC	AC	
ADDITIONAL DATA	10.1	Operating pressure for attachments	bar	195	195	195
	10.2	Oil volume for attachments	l/min	140	140	140
	10.7	Sound pressure level at the driver's seat	dB (A)	74	74	74
	10.7.1	Sound power level during the workcycle	dB (A)	91.7	91.7	91.7
	10.8	Towing coupling, type DIN		PIN	PIN	PIN

ERP5.0-7.0MXLG MAST DIMENSIONS

Maximum fork height	Overall extended height						Free lift		Load distance	Mast tilt		Capacity 500mm load centre Front single tyre			Mast weight		
	Lowered height		Without LBR		With LBR		Without LBR	With LBR		Forward	Back	5.0T	6.0T	7.0T	5.0-6.0T	7.0T	
	5.0-6.0T	7.0T	5.0-6.0T	7.0T	5.0-6.0T	7.0T	5.0-7.0T	5.0-7.0T	5.0-7.0T			(°)	(°)	(kg)	(kg)	(kg)	(kg)
(mm)	(mm)	(mm)	(mm)	(mm)	(mm)	(mm)	(mm)	(mm)	(mm)	(mm)	(°)	(°)	(kg)	(kg)	(kg)	(kg)	(kg)

2-STAGE LIMITED FREE-LIFT (LFL) MAST

3000	2500	2625	3955	4080	4425	4425	205	205	590	10	12	5000	6000	7000	2176	2214
3300	2650	2775	4255	4380	4725	4725	205	205	590	10	12	5000	6000	7000	2224	2262
3500	2750	2875	4455	4580	4925	4925	205	205	590	10	12	5000	6000	7000	2256	2290
3750	2875	3000	4705	4830	5175	5175	205	205	590	10	12	5000	6000	7000	2297	2329
4000	3050	3175	4955	5080	5425	5425	205	205	590	10	12	5000	6000	7000	2432	2494
4500	3300	3425	5455	5580	5925	5925	205	205	590	6	6	5000	6000	7000	2512	2570
5000	3550	3675	5955	6080	6425	6425	205	205	590	6	6	5000	6000	7000	2592	2694
5500	3850	3975	6455	6580	6925	6925	205	205	590	3	6	4750	5820	6620	2772	2874
6000	4100	4225	6955	7080	7425	7425	205	205	590	3	6	4410	5400	6420	2842	2954

2-STAGE FULL FREE-LIFT (FFL) MAST

3000	2625	4110	4425	1555	1255	600	10	12	5000	6000	7000	2260	2260
3300	2775	4410	4725	1705	1405	600	10	12	5000	6000	7000	2305	2305
3500	2875	4610	4925	1805	1505	600	10	12	5000	6000	7000	2345	2345
3750	3000	4860	5175	1930	1630	600	10	12	5000	6000	7000	2385	2385
4000	3175	5110	5425	2105	1805	600	10	12	5000	6000	7000	2490	2490

3-STAGE FULL FREE-LIFT (FFL) MAST

4000	2505	5080	5405	1460	-325	635	6	6	4830	5760	6650	2729	2729
4350	2630	5430	5755	1585	-325	635	6	6	4760	5670	6560	2784	2784
4500	2680	5580	5905	1635	-325	635	6	6	4730	5630	6510	2812	2812
4800	2780	5880	6205	1735	-325	635	6	6	4660	5550	6430	2849	2849
5000	2880	6080	6405	1835	-325	635	6	6	4620	5490	6370	2889	2889
5400	3005	6480	6805	1960	-325	635	3	6	4520	5380	6170	2944	2944
6000	3305	7080	7405	2260	-325	635	3	6	4310	5160	5540	3164	3164
6500	3530	7580	7905	2485	-325	635	3	6	3780	4620	4950	3334	3334

ERP5.0-7.0MXLG (WITH SIDESHIFT)

Maximum fork height	Overall extended height						Free lift		Load distance	Mast tilt		Load center (600mm) 1845mm Integral sideshift carriage (Hook type forks)			Mast weight		
	Lowered Height		Without LBR		With LBR		Without LBR	With LBR		Forward	Back	5.0T	6.0T	7.0T	5.0-6.0T	7.0T	
	5.0-6.0T	7.0T	5.0-6.0T	7.0T	5.0-6.0T	7.0T	5.0-7.0T	5.0-7.0T	5.0-7.0T			(°)	(°)	(kg)	(kg)	(kg)	(kg)
(mm)	(mm)	(mm)	(mm)	(mm)	(mm)	(mm)	(mm)	(mm)	(mm)	(mm)	(°)	(°)	(kg)	(kg)	(kg)	(kg)	(kg)

2-STAGE LIMITED FREE-LIFT (LFL) MAST

3000	2500	2625	3955	4080	4425	4425	205	205	590	10	12	4620	5550	6820	2521	2559
3300	2650	2775	4255	4380	4725	4725	205	205	590	10	12	4610	5540	6810	2569	2607
3500	2750	2875	4455	4580	4925	4925	205	205	590	10	12	4600	5540	6800	2601	2635
3750	2875	3000	4705	4830	5175	5175	205	205	590	10	12	4590	5530	6800	2642	2674
4000	3050	3175	4955	5080	5425	5425	205	205	590	10	12	4560	5500	6760	2777	2839
4500	3300	3425	5455	5580	5925	5925	205	205	590	6	6	4550	5480	6750	2857	2915
5000	3550	3675	5955	6080	6425	6425	205	205	590	6	6	4500	5460	6610	2937	3039
5500	3850	3975	6455	6580	6925	6925	205	205	590	3	6	3690	4610	6210	3117	3219
6000	4100	4225	6955	7080	7425	7425	205	205	590	3	6	3430	4250	6170	3187	3299

2-STAGE FULL FREE-LIFT (FFL) MAST

3000	2625	4110	4405	1555	1255	600	10	12	4580	5510	6450	2605	2605
3300	2775	4410	4705	1705	1405	600	10	12	4570	5500	6440	2650	2650
3500	2875	4610	4905	1805	1505	600	10	12	4560	5500	6430	2690	2690
3750	3000	4860	5155	1930	1630	600	10	12	4550	5490	6420	2730	2730
4000	3175	5110	5405	2105	1805	600	10	12	4530	5460	6400	2835	2835

3-STAGE FULL FREE-LIFT (FFL) MAST

4000	2505	5080	5405	1460	-325	635	6	6	4390	5220	6040	3074	3074
4350	2630	5430	5755	1585	-325	635	6	6	4740	5140	5960	3129	3129
4500	2680	5580	5905	1635	-325	635	6	6	4280	5100	5920	3157	3157
4800	2780	5880	6205	1735	-325	635	6	6	4210	5030	5850	3194	3194
5000	2880	6080	6405	1835	-325	635	6	6	4160	4970	5790	3234	3234
5400	3005	6480	6805	1960	-325	635	3	6	4060	4870	5680	3289	3289
6000	3305	7080	7405	2260	-325	635	3	6	3480	4270	5260	3509	3509
6500	3530	7580	7905	2485	-325	635	3	6	2920	3650	4670	3679	3679

Note: For integral sideshift deduct 50kg from stated capacity, all ratings with 1070 mm forks, dual tyre capacities available upon request



About Yale


Yale Lift Truck Technologies leverages over a century of material handling experience and substantial investment in innovation to bring the most advanced technology-driven lift truck solutions to market. The company offers a full line of award-winning lift trucks, including reach trucks, order pickers, turret trucks, pallet jacks and trucks, pallet stackers, tow tractors and counterbalanced forklifts, as well as powerful operator assist solutions, proven robotics and a wide range of power sources to help customers adapt to today's demanding supply chain. Yale and its independent dealer network support these solutions with comprehensive after-sales service, parts, financing and training.

Yale Lift Truck Technologies is a trading name of Hyster-Yale Asia-Pacific Pty Ltd., a wholly owned subsidiary of Hyster-Yale Materials Handling, Inc. (NYSE:HY) which is headquartered in Cleveland, Ohio and operates globally.

Yale Lift Truck Technologies | Pacific
1/23 Rowood Road
Prospect NSW 2148

Yale Lift Truck Technologies | Asia
2 Venture Drive
#23-28 Vision Exchange
Singapore 608526

yale.com

© 2024 Hyster-Yale Group, Inc., all rights reserved. YALE and  are trademarks of Hyster-Yale Group, Inc. Trucks may be shown with optional equipment and/or features not available in all regions. Specifications and details in this brochure are subject to change without prior notification.



MATERIALS HANDLING FOR:

Third-party logistics (3PL)

Auto parts distribution

Beverage

Cold & frozen foods

Food distribution

Food processing

Furniture & furnishings

Government

Health & pharma

Home centers & durables

Retail & e-commerce