



UXT SERIES

SPEC SHEET

ERP16-20UXT
Three Wheel Electric
Forklift Trucks

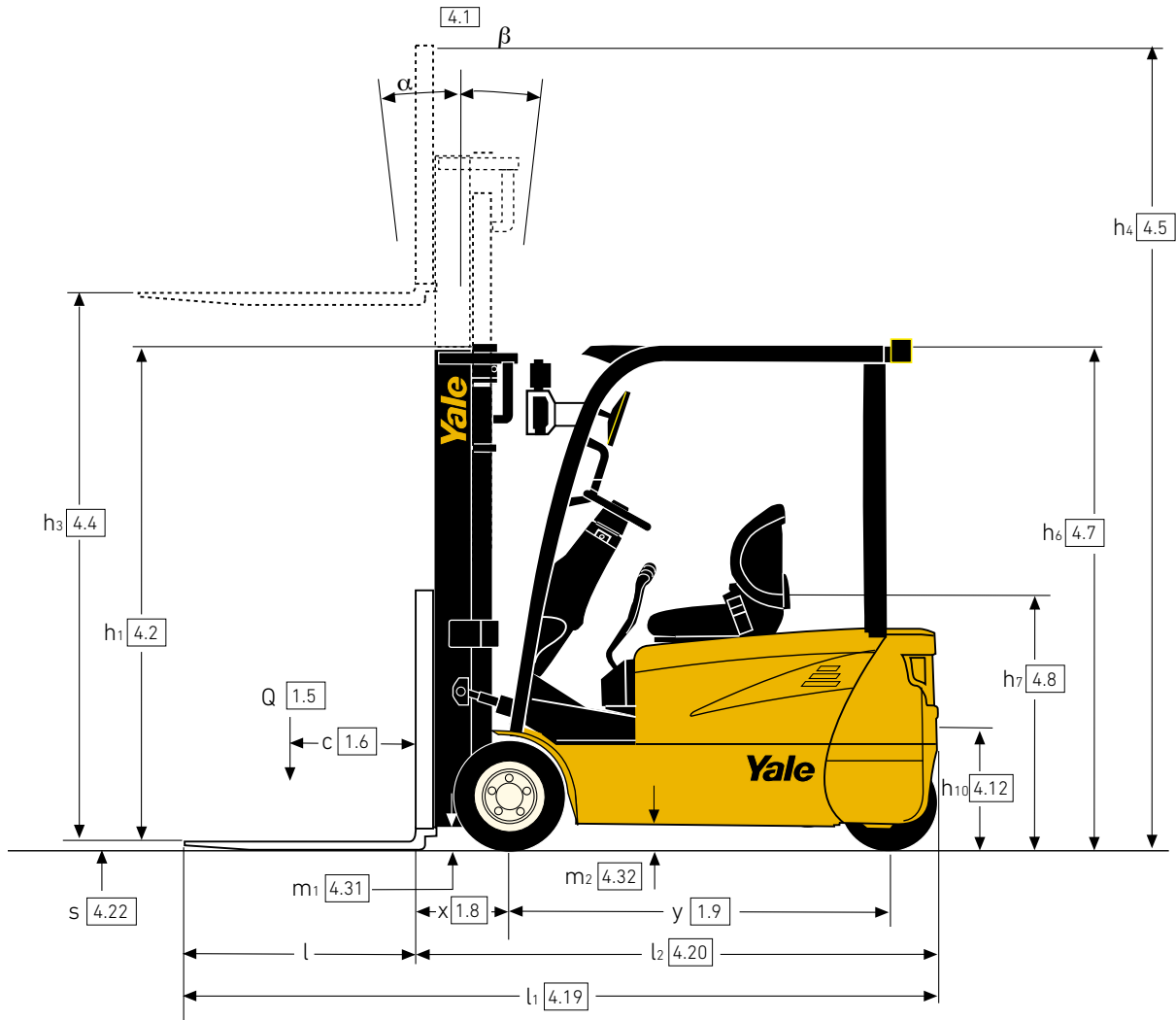
1,600 - 2,000kg

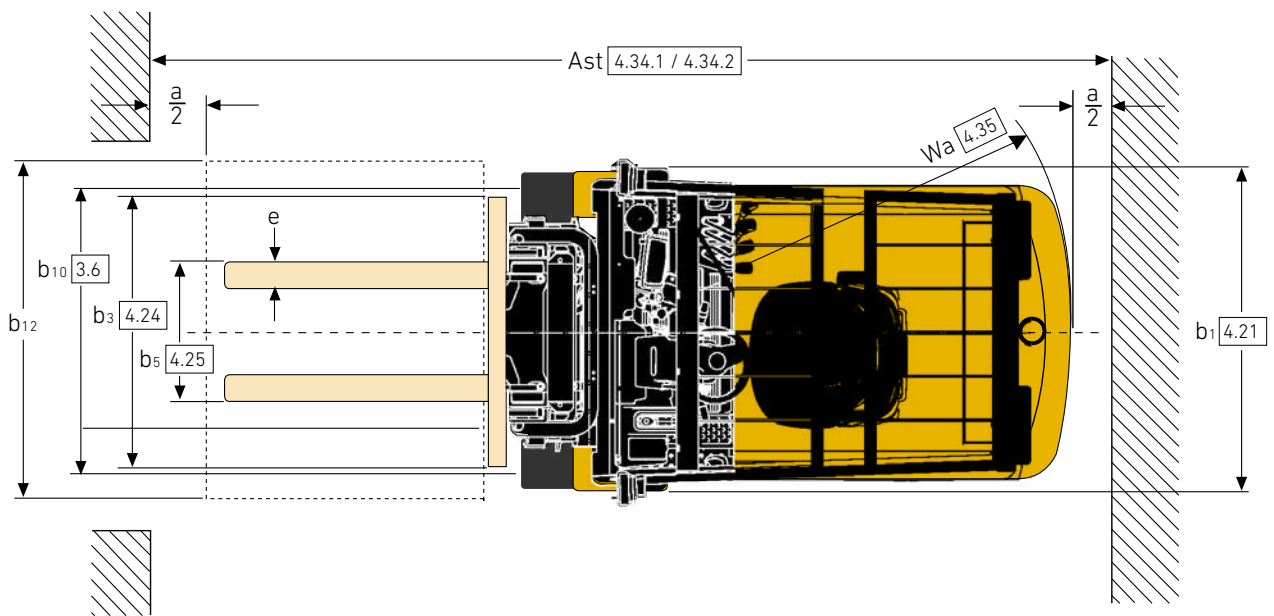
TRUCK DIMENSIONS – UXT SERIES

$$Ast = Wa + x + l_6 + a$$

a = Minimum operating clearance of 200mm

l_6 = Load length





VDI 2198 – GENERAL SPECIFICATIONS – UXT SERIES

| | | Yale | | | | |
|-------------|---------------|---|-------------------------------------|-----------------|-----------------|-----------------|
| GENERAL | 1.1 | Manufacturer | | | | |
| | 1.2 | Model designation | UXT16 | UXT18 | UXT20 | |
| | 1.3 | Drive | Electric (battery) | | | |
| | 1.4 | Operation | Seated | | | |
| | 1.5 | Rated capacity/rated load | Q (t) | 1600 | 1800 | |
| | 1.6 | Load centre | c (mm) | 500 | | |
| | 1.8 | Load centre distance | x (mm) | 371 | | |
| | 1.9 | Wheelbase | y (mm) | 1400 | 1515 | |
| | WEIGHT | 2.1 | Unladen weight (max. battery) | kg | 3120 | 3190 |
| 2.2 | | Axle loading, laden front/rear (max. battery) | kg | 4010 / 660 | 4420 / 510 | 4870 / 580 |
| 2.3 | | Axle loading, unladen front/rear (max. battery) | kg | 1480 / 1640 | 1500 / 1690 | 1580 / 1810 |
| TYRES | 3.1 | Tyres front/rear | Superelastic | | | |
| | 3.2 | Tyre size, front | ø mm x mm | 18*7-8 | 200 / 50-10 | |
| | 3.3 | Tyre size, rear | ø mm x mm | 15*4.1 / 2-8 | | |
| | 3.5 | Wheels, number front/rear (x = driven wheels) | 2 x / 2 | | | |
| | 3.6 | Tread, front | b10 (mm) | 933 | 952 | |
| | 3.7 | Tread, rear | b11 (mm) | 186 | | |
| | DIMENSIONS | 4.1 | Mast tilt, forward / backward | α / β (°) | 6.15 / 6.75 | |
| 4.2 | | Height of mast, lowered | h ₁ (mm) | 1992 | 1990 | |
| 4.3 | | Free lift ⁽¹⁾ | h ₂ (mm) | 35 | 54 | |
| 4.4 | | Lift height ⁽¹⁾ | h ₃ (mm) | 3036 | 3045 | |
| 4.5 | | Height of mast, extended ⁽²⁾ | h ₃ (mm) | 4030 | 4000 | |
| 4.7 | | Height to top of overhead guard ⁽³⁾ | h ₆ (mm) | 2002 | 2004 | |
| 4.8 | | Seat height ⁽⁴⁾ | h ₇ (mm) | 965 | | |
| 4.12 | | Towing coupling height | h ₁₀ (mm) | 445 | 485 | |
| 4.19 | | Overall length(with forks) | L ₁ (mm) | 2894 | 3153 | |
| 4.20 | | Length to face of forks | L ₂ (mm) | 1974 | 2084 | |
| 4.21 | | Overall width | b ₁ /b ₂ (mm) | 1084 | 1140 | |
| 4.22 | | Fork dimensions | s/e/l (mm) | 35 / 100 / 920 | 40 / 120 / 1070 | |
| 4.23 | | Fork carriage DIN 15173. Class, A/B | ISO2328 2A | | | |
| 4.24 | | Fork carriage width ⁽²⁾ | b ₂ (mm) | 951 | 950 | |
| 4.25 | | Width over forks | b ₃ (mm) | 200 / 890 | | |
| 4.31 | | Ground clearance, laden, below mast | m ₁ (mm) | 89 | 88 | |
| 4.32 | | Ground clearance at centre of wheelbase | m ₂ (mm) | 96 | 95 | |
| 4.34.1 | | Aisle width with pallets 1000mm long x 1200mm wide | Ast (mm) | 3290 | 3445 | |
| 4.34.2 | | Aisle width with pallets 800mm wide x 1200mm long | Ast (mm) | 3415 | 3410 | |
| 4.35 | | Outer turning radius | Wa (mm) | 1601 | 1716 | |
| PERFORMANCE | | 5.1 | Travel speed laden/unladen | km/h | 14 / 16 | |
| | 5.2 | Lifting speed laden/unladen | m/s | 352 / 500 | 349 / 500 | 310 / 500 |
| | 5.3 | Lowering speed laden/unladen | m/s | 411 / 485 | 425 / 485 | |
| | 5.5 | Drawbar pull laden/unladen, 60 minute rating | N | NA | | |
| | 5.6 | Maximum drawbar pull laden/unladen, 5 minute rating | N | 15500 / 10000 | 15000 / 10500 | 15500 / 12000 |
| | 5.6.1 | Maximum drawbar pull laden/unladen, 3 minute rating | N | NA | | |
| | 5.7 | Gradeability with/without load, 30 minute rating | % | NA | | |
| | 5.8 | Maximum Gradeability with/without load, 5 minute rating | % | 20 / 30 | | |
| | 5.8.1 | Maximum drawbar pull laden/unladen, 3 minute rating | % | NA | | |
| | 5.9 | Acceleration time with/without load 10m | sec | 4.46 / 4.35 | | 5.98 / 5.63 |
| | 5.9.1 | Acceleration time with/without load 15m | sec | 5.79 / 5.51 | | 6.95 / 6.79 |
| 5.10 | Service brake | Hydraulic | | | | |
| ELECTRIC | 6.1 | Drive Motor Rating, S2, 60min | kW | 2 x 5 | | |
| | 6.2 | Lifting motor, S3 15% rating | kW | 11 | | |
| | 6.2.1 | Steering motor | NA | | | |
| | 6.3 | Battery DIN 43531 /35 /36 A, B, C, no | No | 43531A | | |
| | 6.4 | Battery voltage / capacity (5hr rate) | (V)/(Ah) | 48 / 500 | - | 48 / 640 |
| | 6.5 | Battery weight (min/max) | kg | 945 | | 1088 |
| | 6.5.1 | Battery dimensions | l/w/h (mm) | 830 / 630 / 627 | | 830 / 738 / 627 |
| | 6.6 | Power consumption in accordance with VDI cycle | kWh/h | 5.19 | 5.30 | 5.7 |
| OTHER | 7.6 | Turn over | t/h | 102t/h | 105t/h | NA |
| | 8.1 | Drive control | ACE2 2uC | | | AC |
| | 8.2 | Manufacturer | ZAPI | | | |
| | 10.1 | Operating pressure for attachments ⁽⁵⁾ | bar | 145 | 175 | |
| | 10.2 | Oil volume for attachments | l/min. | 38 | | |
| | 10.7 | Average noise level at operator's ear ⁽⁶⁾ | dB(A) | 64.8 | | 69.6 |
| | 10.8 | Towing coupling, type DIN | Ø32 | | | |
| | 10.3 | Hydraulic Tank - capacity (drain & refill) | l | 32 | | |
| | 10.6 | Number of steering rotation | 4 | | | |
| | 10.6.1 | Steering force | N | 10 | | |

(1) Bottom of forks (3) h₆ subject to +/- 5mm tolerance (5) Variable
(2) Without load backrest (4) Full suspension specified (6) LPAZ, measured according to the test cycles and based on the weighting values contained in EN12053

MAST DIMENSIONS – UXT SERIES

| Type | Max. lift height (mm) | Overall Extended Height Mast | | | Free Lift | | Load Distance (mm) | Mast tilt | | Loading | | |
|---|-----------------------|------------------------------|---------------|------------------|------------------|---------------|--------------------|-----------|-------|---------------------|-------|------|
| | | Lowered height (mm) | Lift Height | | Without LBR (mm) | With LBR (mm) | | F (°) | B (°) | Load center (500mm) | | |
| | Without LBR (mm) | | With LBR (mm) | Single Tyre (kg) | | | | | | | | |
| | (mm) | (mm) | (mm) | (mm) | (mm) | (mm) | (°) | (°) | 16UXT | 18UXT | 20UXT | |
| 2-STAGE LIMITED FREE-LIFT (LFL) MAST | | | | | | | | | | | | |
| BM300 | 3000 | 1975 | 3490 | 4010 | 0 | 0 | 376 | 6.5 | 6.5 | 1600 | 1800 | 2000 |
| BM330 | 3300 | 2125 | 3790 | 4310 | 0 | 0 | 376 | 6.5 | 6.5 | 1600 | 1800 | 2000 |
| BM350 | 3500 | 2225 | 3990 | 4510 | 0 | 0 | 376 | 6.5 | 6.5 | 1600 | 1800 | 2000 |
| BM370 | 3700 | 2325 | 4190 | 4710 | 0 | 0 | 376 | 6.5 | 6.5 | 1600 | 1800 | 2000 |
| BM400 | 4000 | 2525 | 4490 | 5010 | 0 | 0 | 376 | 3.5 | 5 | 1600 | 1800 | 2000 |
| BM450 | 4500 | 2775 | 4990 | 5510 | 0 | 0 | 376 | 3.5 | 5 | 1400 | 1600 | 1800 |
| BM500 | 5000 | 3025 | 5490 | 6010 | 0 | 0 | 376 | 3.5 | 5 | 1250 | 1450 | 1500 |
| BM550 | 5500 | 3325 | 5990 | 6510 | 0 | 0 | 376 | 3.5 | 5 | 1150 | 1200 | 1300 |
| BM600 | 6000 | 3575 | 6490 | 7010 | 0 | 0 | 376 | 3.5 | 5 | 1050 | 1100 | 1200 |
| 2-STAGE FULL FREE-LIFT (FFL) MAST | | | | | | | | | | | | |
| BFM300 | 3000 | 1975 | 3490 | 4010 | 1510 | 990 | 376 | 3.5 | 6.5 | 1600 | 1800 | 2000 |
| BFM330 | 3300 | 2125 | 3790 | 4310 | 1660 | 1140 | 376 | 3.5 | 6.5 | 1600 | 1800 | 2000 |
| BFM350 | 3500 | 2225 | 3990 | 4510 | 1760 | 1240 | 376 | 3.5 | 6.5 | 1600 | 1800 | 2000 |
| BFM370 | 3700 | 2325 | 4190 | 4710 | 1860 | 1340 | 376 | 3.5 | 6.5 | 1600 | 1800 | 2000 |
| BFM400 | 4000 | 2525 | 4490 | 5010 | 2060 | 1540 | 376 | 3.5 | 5 | 1600 | 1800 | 2000 |
| 3-STAGE FULL FREE-LIFT (FFL) MAST | | | | | | | | | | | | |
| BTFM400 | 4000 | 1850 | 4490 | 5010 | 1385 | 865 | 376 | 3.5 | 5 | 1600 | 1800 | 2000 |
| BTFM435 | 4350 | 1975 | 4840 | 5360 | 1510 | 990 | 376 | 3.5 | 5 | 1500 | 1700 | 1900 |
| BTFM450 | 4500 | 2025 | 4990 | 5510 | 1560 | 1040 | 376 | 3.5 | 5 | 1400 | 1600 | 1800 |
| BTFM480 | 4800 | 2125 | 5290 | 5810 | 1660 | 1140 | 376 | 3.5 | 5 | 1300 | 1500 | 1650 |
| BTFM500 | 5000 | 2225 | 5490 | 6010 | 1760 | 1240 | 376 | 3.5 | 5 | 1250 | 1450 | 1500 |
| BTFM550 | 5500 | 2390 | 5990 | 6510 | 1925 | 1405 | 376 | 3.5 | 5 | 1150 | 1200 | 1300 |
| BTFM600 | 6000 | 2575 | 6490 | 7010 | 2110 | 1590 | 376 | 3.5 | 5 | 1050 | 1100 | 1200 |
| BTFM650 | 6500 | 2790 | 6990 | 7510 | 2325 | 1805 | 376 | 3.5 | 5 | 900 | 950 | 1000 |

All values are nominal values and they are subject to tolerances.





About Yale



Yale Lift Truck Technologies leverages over a century of material handling experience and substantial investment in innovation to bring the most advanced technology-driven lift truck solutions to market. The company offers a full line of award-winning lift trucks, including reach trucks, order pickers, turret trucks, pallet jacks and trucks, pallet stackers, tow tractors and counterbalanced forklifts, as well as powerful operator assist solutions, proven robotics and a wide range of power sources to help customers adapt to today's demanding supply chain. Yale and its independent dealer network support these solutions with comprehensive after-sales service, parts, financing and training.

Yale Lift Truck Technologies is a trading name of Hyster-Yale Asia-Pacific Pty Ltd., a wholly owned subsidiary of Hyster-Yale Materials Handling, Inc. (NYSE:HY) which is headquartered in Cleveland, Ohio and operates globally.

MATERIALS HANDLING FOR:

3PL

Auto Parts Distribution

Beverage

Cold & Frozen Foods

Food Distribution

Food Processing

Furniture & Furnishings

Government

Health & Pharma

Home Centers

Retail & E-commerce

Yale Pacific

1/23 Rowood Road, Prospect NSW 2148


Tel: +61 (2) 9795 3800 | Fax: +61 (2) 9792 8484

Yale Asia

16 Tuas Avenue 20, Singapore 638827

Tel: +65 6863 3387 | Fax: +65 6863 3349

yale.com

© 2023 Hyster-Yale Group, Inc., all rights reserved. YALE and  are trademarks of Hyster-Yale Group, Inc. Trucks may be shown with optional equipment and/or features not available in all regions. Specifications and details in this brochure are subject to change without prior notification.