



ERP15-35UX

SPEC SHEET

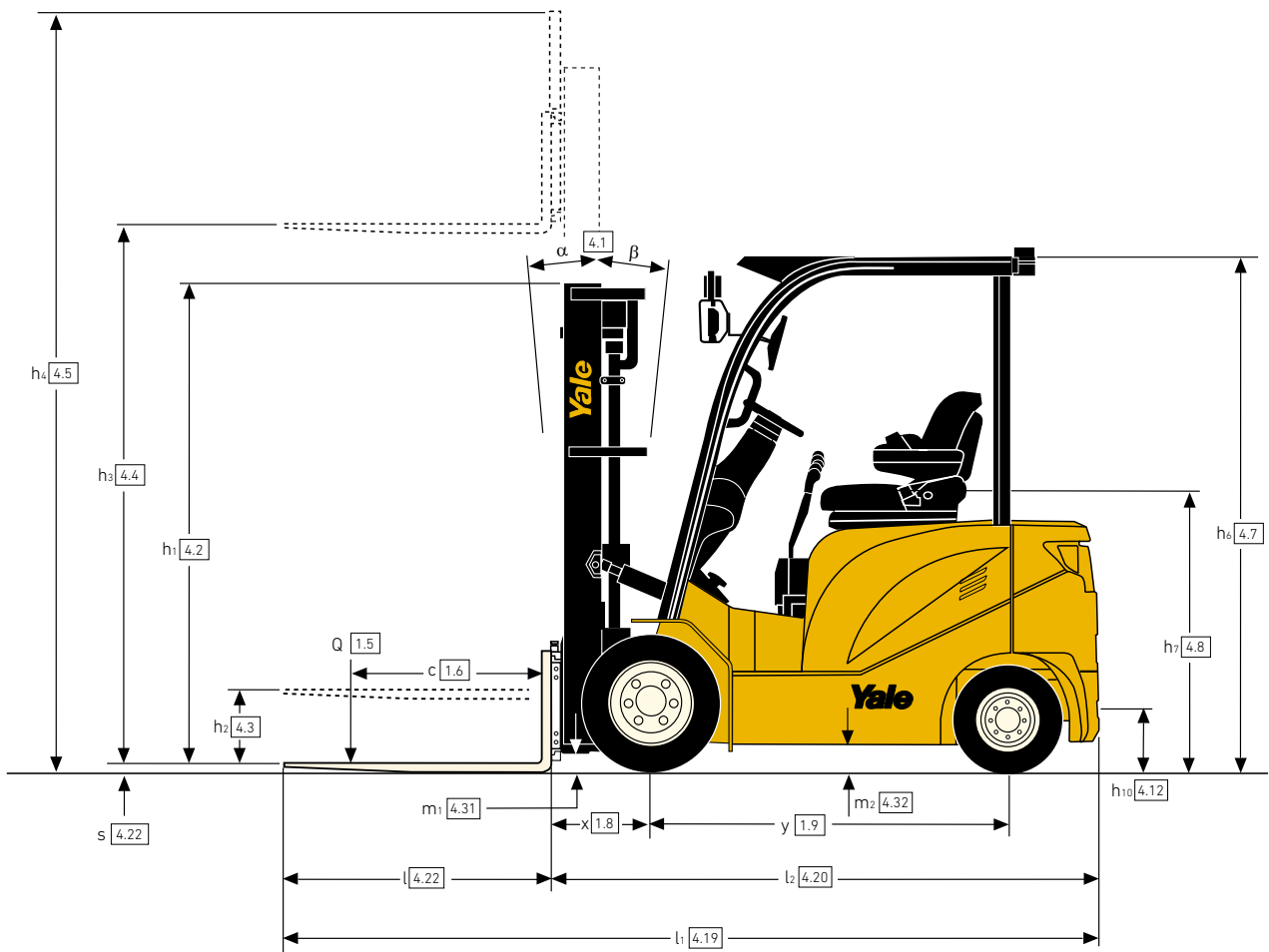
1,500 - 3,500 kg

UX Series

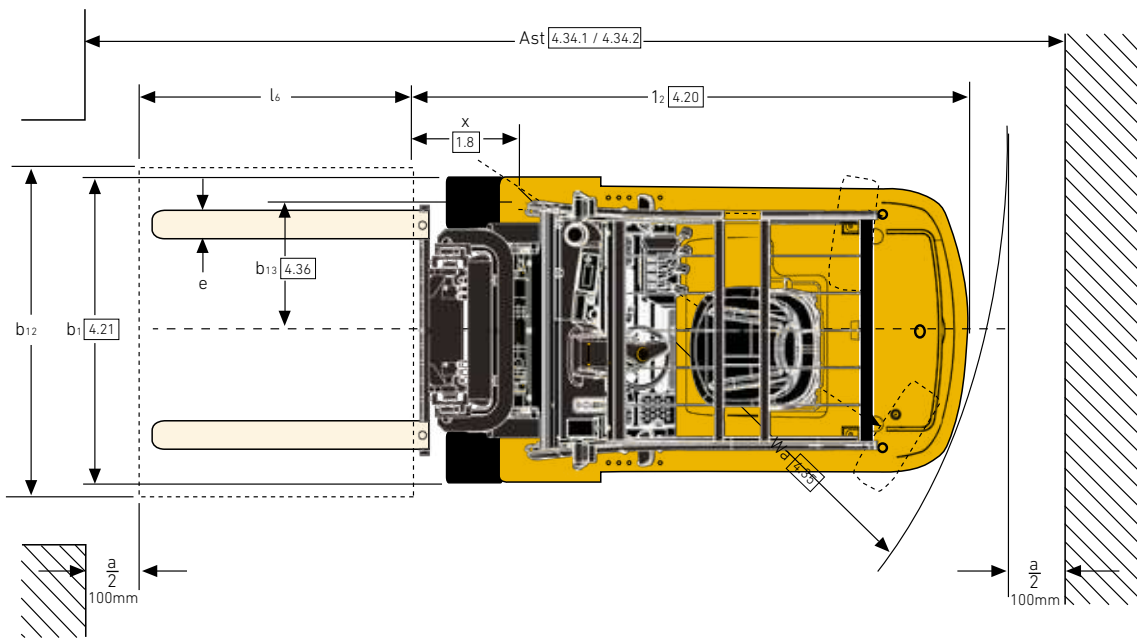
Electric Forklift Trucks

TRUCK DIMENSIONS – UX SERIES

$$A_{st} = Wa + R + a = Wa + \sqrt{((l_6 + x)^2 + (b_{12} / 2 - b_{13})^2)} + a$$



TRUCK DIMENSIONS – UX SERIES



VDI 2198 – GENERAL SPECIFICATIONS – UX SERIES

| | | Yale | | | | |
|-------------|-------------------------|---|---|--------------------|-------------|-----------------|
| | | ERP 15UX | ERP 18UX | ERP 20UX | | |
| GENERAL | 1.1 | Manufacturer | | | | |
| | 1.2 | Model designation | | | | |
| | 1.3 | Drive | | Electric (battery) | | |
| | 1.4 | Operator type | | Seated | | |
| | 1.5 | Rated capacity/rated load | Q (t) | 1.5 | 1.8 | 2.0 |
| | 1.6 | Load centre distance | c (mm) | 500 | | |
| | 1.8 | Load distance, centre of drive axle to fork | x (mm) | 410 | | 454 |
| | 1.9 | Wheelbase | y (mm) | 1380 | | 1485 |
| | WEIGHT | 2.1 | Service weight | kg | 3030 | 3310 |
| 2.2 | | Axle loading, laden front/rear | kg | 3940 / 590 | 4594 / 625 | 5110 / 930 |
| 2.3 | | Axle loading, unladen front/rear | kg | 1490 / 1590 | 1431 / 1878 | 1770 / 2270 |
| TYRES | 3.1 | Tyres front/rear | | Superelastic | | |
| | 3.2 | Tyre size, front | | 6.00-9 | 21 x 8-9 | 23 x 9-10 |
| | 3.3 | Tyre size, rear | | 5.00-8 | | 18 x 7-8 |
| | 3.5 | Wheels, number front/rear (x = driven wheels) | | 2x / 2 | | |
| | 3.6 | Tread, front | b ₁₀ (mm) | 955 | | 1058 |
| | 3.7 | Tread, rear | b ₁₁ (mm) | 920 | | 960 |
| | DIMENSIONS | 4.1 | Tilt of mast/fork carriage forward/backward | α / β (°) | 5 / 10 | |
| 4.2 | | Height, mast lowered | h ₁ (mm) | 2000 | | 2015 |
| 4.3 | | Free lift ⁽¹⁾ | h ₂ (mm) | 135 | | 140 |
| 4.4 | | Lift ⁽¹⁾ | h ₃ (mm) | 3000 | | |
| 4.5 | | Height, mast extended ⁽²⁾ | h ₄ (mm) | 3980 | | |
| 4.7 | | Height of overhead guard (cabin) ⁽³⁾ | (mm) | 2155 | | 2152 |
| 4.8 | | Seat height relating to SIP/stand height ⁽⁴⁾ | h ₇ (mm) | 1080 | | |
| 4.12 | | Coupling height | h ₁₀ (mm) | 290 | | 250 |
| 4.19 | | Overall length | l ₁ (mm) | 3026 | | 3372 |
| 4.20 | | Length to face of forks | l ₂ (mm) | 2106 | | 2302 |
| 4.21 | | Overall width | b ₁ /b ₂ (mm) | 1120 | | |
| 4.22 | | Fork dimensions ISO 2331 | s/e/l (mm) | 35 / 100 / 920 | | 40 / 122 / 1070 |
| 4.23 | | Fork carriage ISO 2328, class/type A, B | | ISO2328 2A | | |
| 4.24 | | Fork carriage width ⁽²⁾ | b ₃ (mm) | 1040 | | |
| 4.25 | | Distance between fork-arms | b ₅ (mm) | 200 / 890 | | 250 / 1000 |
| 4.31 | | Ground clearance, laden, below mast | m ₁ (mm) | 95 | | |
| 4.32 | | Ground clearance at centre of wheelbase | m ₂ (mm) | 105 | | |
| 4.34.1 | | Aisle width for pallets 1000 × 1200 crossways | A _{st} (mm) | 3580 | | 3879 |
| 4.34.2 | | Aisle width for pallets 800 × 1200 lengthways | A _{st} (mm) | 3780 | | 4009 |
| 4.35 | | Turning radius | W _a (mm) | 1970 | | 2155 |
| 4.36 | Internal turning radius | b ₁₃ (mm) | 703 | | 599 | |
| PERFORMANCE | 5.1 | Travel speed, laden/unladen | km/h | 15 / 15.7 | 14.8 / 15.7 | 15.7 / 15.7 |
| | 5.2 | Lift speed, laden/unladen | mm/s | 370 / 512 | 315 / 512 | 333 / 500 |
| | 5.3 | Lowering speed, laden/unladen | mm/s | 400 / 502 | 390 / 502 | 434 / 415 |
| | 5.5 | Drawbar pull, laden/unladen | N | NA | | |
| | 5.6 | Max. drawbar pull, laden/unladen, 5 minute rating | N | NA | | |
| | 5.6.1 | Max. drawbar pull, laden/unladen, 3 minute rating | N | 10800 / 8700 | | 14400 / 10500 |
| | 5.7 | Gradeability, laden/unladen | % | NA | | |
| | 5.8 | Max. gradeability, laden/unladen, 5 minute rating | % | NA | | |
| | 5.8.1 | Max. gradeability, laden/unladen, 3 minute rating | % | 16 / 23 | 15 / 22 | 20 / 23 |
| | 5.9 | Acceleration time, laden/unladen 10m | s | 5.12 / 4.75 | 5.25 / 4.75 | 5.2 / 4.78 |
| | 5.9.1 | Acceleration time, laden/unladen 15m | s | 6.82 / 5.88 | 6.91 / 5.88 | 6.5 / 6.24 |
| 5.10 | Service brake | | Hydraulic | | | |
| ELECTRIC | 6.1 | Drive motor rating S2 60 min | kW | 6.5 | | 8.5 |
| | 6.2 | Lift motor rating at S3 15% | kW | 8.6 | | 11 |
| | 6.3 | Battery according to DIN 43531 / 35 / 36 A, B, C, no | | No | | |
| | 6.4 | Battery voltage/nominal capacity K5 | (V)/(ah) | 48 / 420 | | 48 / 600 |
| | 6.5 | Battery weight | kg | 720 | | |
| | 6.5.1 | Battery dimensions | l/w/h (mm) | 980 / 468 / 680 | | 1028* 500* 780 |
| | 6.6 | Energy consumption according to VDI cycle | kWh/h @ no. of cycles | 4.15 | 4.35 | 4.95 |
| OTHER | 8.1 | Type of drive unit | | AC | | |
| | 8.2 | Manufacturer | | CURTIS | | |
| | 10.1 | Operating pressure for attachments ⁽⁵⁾ | bar | 138 | | |
| | 10.2 | Oil volume for attachments | l/min | 38 | | |
| | 10.3 | Hydraulic oil tank, capacity | l | 70.4 | 70.4 | 67.9 |
| | 10.7 | Sound pressure level at the driver's seat LPAZ ⁽⁶⁾ | dB(A) | Ø30 Pin | | |
| | 10.8 | Towing coupling, type DIN | | 25 | | 30 |
| | 10.8.1 | Number of steering rotation | | 3.6 | | 3.9 |
| | 10.8.2 | Turn over | t/h | 96 | 120 | 130 |
| | 10.8.3 | Steering force | N | 7 | | |

(1) Bottom of forks

(2) Without load backrest

(3) h₃ subject to +/- 5mm tolerance

(4) Full suspension specified

(5) Variable

(6) LPAZ, measured according to the test cycles and based on the weighting values contained in EN12053

Spec sheet truck based on VDI 2198, with the following configuration: Complete truck with 3000mm 2-stage limited free lift mast, standard carriage and 1000mm forks, overhead guard and standard superelastic drive and steer tyres

All values are nominal values and they are subject to tolerances.

VDI 2198 – GENERAL SPECIFICATIONS – UX SERIES

| | | Yale | | | | |
|--------------------|---|---|---|--------------------|------------------|-----------------|
| | | ERP 25UX | ERP 30UX | ERP 35UX | | |
| GENERAL | 1.1 | Manufacturer | | | | |
| | 1.2 | Model designation | | | | |
| | 1.3 | Drive | | Electric (battery) | | |
| | 1.4 | Operator type | | Seated | | |
| | 1.5 | Rated capacity/rated load | Q (t) | 2.5 | 3.0 | 3.5 |
| | 1.6 | Load centre distance | c (mm) | 500 | | |
| | 1.8 | Load distance, centre of drive axle to fork | x (mm) | 454 | 475 | 495.5 |
| | 1.9 | Wheelbase | y (mm) | 1485 | 1670 | 1690 |
| | WEIGHT | 2.1 | Service weight | kg | 4226 | 4910 |
| 2.2 | | Axle loading, laden front/rear | kg | 5720 / 1006 | 6830 / 970 | 7956 / 894 |
| 2.3 | | Axle loading, unladen front/rear | kg | 1748 / 2478 | 2220 / 2700 | 2294 / 3015 |
| TYRES | 3.1 | Tyres front/rear | | Superelastic | | |
| | 3.2 | Tyre size, front | | 23 x 9-10 | | 23 x 10-12 |
| | 3.3 | Tyre size, rear | | 18 x 7-8 | | 200 / 50-10 |
| | 3.5 | Wheels, number front/rear (x = driven wheels) | | 2x / 2 | | |
| | 3.6 | Tread, front | b ₁₀ (mm) | 1058 | 1065 | 1124 |
| | 3.7 | Tread, rear | b ₁₁ (mm) | 960 | 980 | 1010 |
| | DIMENSIONS | 4.1 | Tilt of mast/fork carriage forward/backward | α / β (°) | 5 / 10 | |
| 4.2 | | Height, mast lowered | h ₁ (mm) | 2015 | 2045 | 2120 |
| 4.3 | | Free lift ⁽¹⁾ | h ₂ (mm) | 140 | 165 | |
| 4.4 | | Lift ⁽¹⁾ | h ₃ (mm) | 3000 | | |
| 4.5 | | Height, mast extended ⁽²⁾ | h ₄ (mm) | 3980 | | |
| 4.7 | | Height of overhead guard (cabin) ⁽³⁾ | (mm) | 2152 | | 2138 |
| 4.8 | | Seat height relating to SIP/stand height ⁽⁴⁾ | h ₇ (mm) | 1080 | | |
| 4.12 | | Coupling height | h ₁₀ (mm) | 250 | 270 | |
| 4.19 | | Overall length | l ₁ (mm) | 3387 | 3614 | 3759 |
| 4.20 | | Length to face of forks | l ₂ (mm) | 2317 | 2544 | 2689 |
| 4.21 | | Overall width | b ₁ /b ₂ (mm) | 1285 | | 1365 |
| 4.22 | | Fork dimensions ISO 2331 | s/e/l (mm) | 40 / 122 / 1070 | | 50 / 122 / 1070 |
| 4.23 | | Fork carriage ISO 2328, class/type A, B | | ISO2328 2A | ISO2328 3A | |
| 4.24 | | Fork carriage width ⁽²⁾ | b ₃ (mm) | 1040 | 1100 | |
| 4.25 | | Distance between fork-arms | b ₅ (mm) | 250 / 1000 | 290 / 1060 | 290 / 1060 |
| 4.31 | | Ground clearance, laden, below mast | m ₁ (mm) | 65 | | 80 |
| 4.32 | | Ground clearance at centre of wheelbase | m ₂ (mm) | 95 | 110 | 83 |
| 4.34.1 | | Aisle width for pallets 1000 × 1200 crossways | A _{st} (mm) | 3879 | 4025 | 4101 |
| 4.34.2 | | Aisle width for pallets 800 × 1200 lengthways | A _{st} (mm) | 4009 | 4225 | 4301 |
| 4.35 | | Turning radius | W _a (mm) | 2155 | 2349 | 2405 |
| 4.36 | Internal turning radius | b ₁₃ (mm) | 599 | 830 | 815 | |
| PERFORMANCE | 5.1 | Travel speed, laden/unladen | km/h | 14.9 / 15.7 | 15 / 16 | |
| | 5.2 | Lift speed, laden/unladen | mm/s | 307 / 500 | 385 / 500 | 282 / 500 |
| | 5.3 | Lowering speed, laden/unladen | mm/s | 405 / 415 | 420 / 475 | 400 / 355 |
| | 5.5 | Drawbar pull, laden/unladen | N | NA | | |
| | 5.6 | Max. drawbar pull, laden/unladen, 5 minute rating | N | NA | | |
| | 5.6.1 | Max. drawbar pull, laden/unladen, 3 minute rating | N | 14400 / 10500 | 21000 / 11500 | |
| | 5.7 | Gradeability, laden/unladen | % | NA | | |
| | 5.8 | Max. gradeability, laden/unladen, 5 minute rating | % | NA | | |
| | 5.8.1 | Max. gradeability, laden/unladen, 3 minute rating | % | 18 / 22 | 20 / 23 | 15 / 22 |
| | 5.9 | Acceleration time, laden/unladen 10m | s | 5.25 / 4.78 | 5.05 / 4.86 | 5.62 / 5.32 |
| | 5.9.1 | Acceleration time, laden/unladen 15m | s | 6.63 / 6.24 | 6.45 / 6.27 | 7.01 / 6.83 |
| 5.10 | Service brake | | Hydraulic | | | |
| ELECTRIC | 6.1 | Drive motor rating S2 60 min | kW | 8.5 | 11.5 | |
| | 6.2 | Lift motor rating at S3 15% | kW | 11 | 15 | |
| | 6.3 | Battery according to DIN 43531 / 35 / 36 A, B, C, no | | No | | |
| | 6.4 | Battery voltage/nominal capacity K5 | (V)/(ah) | 48 / 600 | 80 / 500 | |
| | 6.5 | Battery weight | kg | 970 | 1422 | |
| | 6.5.1 | Battery dimensions | l/w/h (mm) | 1028* 500* 780 | 1028 / 683 / 780 | |
| 6.6 | Energy consumption according to VDI cycle | kWh/h @ no. of cycles | 6.13 | 6.32 | 6.9 | |
| OTHER | 8.1 | Type of drive unit | | AC | | |
| | 8.2 | Manufacturer | | CURTIS | | |
| | 10.1 | Operating pressure for attachments ⁽⁵⁾ | bar | 180 | | |
| | 10.2 | Oil volume for attachments | l/min | 38 | | |
| | 10.3 | Hydraulic oil tank, capacity | l | 67.9 | 70 | |
| | 10.7 | Sound pressure level at the driver's seat LPAZ ⁽⁶⁾ | dB(A) | Ø30 Pin | | |
| | 10.8 | Towing coupling, type DIN | | 30 | 40 | |
| | 10.8.1 | Number of steering rotation | | 3.9 | 3.8 | |
| | 10.8.2 | Turn over | t/h | 156 | 180 | 195 |
| | 10.8.3 | Steering force | N | 6.5 | 8 | |

MAST DIMENSIONS – ERP 15UX

| Mast type | Max fork height | Overall Extended Height | | | Free Lift | | Mast Tilt | | Capacity without Shiftshift | | | | Capacity with Sideshift | | | |
|-----------|-----------------|-------------------------|-------------|----------|-----------|-------------|-----------|------|-----------------------------|-------------|--------------------|-------------|-------------------------|-------------|--------------------|-------------|
| | | Lowered height | Lift Height | | With LBR | Without LBR | F | B | Single Pneu Tyres | | Single Solid Tyres | | Single Pneu Tyres | | Single Solid Tyres | |
| | | | Without LBR | With LBR | | | | | @ 500 mm LC | @ 600 mm LC | @ 500 mm LC | @ 600 mm LC | @ 500 mm LC | @ 600 mm LC | @ 500 mm LC | @ 600 mm LC |
| (mm) | (mm) | (mm) | (mm) | (mm) | (mm) | (°) | (°) | (kg) | (kg) | (kg) | (kg) | (kg) | (kg) | (kg) | (kg) | |
| 2LFL | 3300 | 2140 | 3813 | 4284 | 135 | 135 | 5 | 10 | 1500 | 1390 | 1500 | 1410 | 1470 | 1330 | 1490 | 1350 |
| | 3500 | 2240 | 4013 | 4484 | 135 | 135 | 5 | 10 | 1500 | 1380 | 1500 | 1400 | 1450 | 1330 | 1470 | 1350 |
| | 4000 | 2540 | 4513 | 4984 | 135 | 135 | 5 | 10 | 1480 | 1340 | 1500 | 1360 | 1410 | 1280 | 1430 | 1300 |
| | 5000 | 3040 | 5513 | 5984 | 135 | 135 | 5 | 6 | 1240 | 1190 | 1310 | 1190 | 1210 | 1140 | 1260 | 1140 |
| 2FFL | 3000 | 1990 | 3513 | 3984 | 1015 | 1486 | 5 | 10 | 1500 | 1370 | 1500 | 1370 | 1460 | 1320 | 1460 | 1320 |
| | 3300 | 2140 | 3813 | 4284 | 1165 | 1636 | 5 | 10 | 1500 | 1370 | 1500 | 1370 | 1450 | 1320 | 1450 | 1320 |
| 3FFL | 4500 | 2040 | 5013 | 5484 | 1045 | 1516 | 5 | 6 | 1390 | 1260 | 1410 | 1280 | 1330 | 1210 | 1360 | 1230 |
| | 4800 | 2140 | 5313 | 5784 | 1145 | 1616 | 5 | 6 | 1250 | 1250 | 1370 | 1260 | 1250 | 1200 | 1330 | 1210 |
| | 5500 | 2405 | 6013 | 6484 | 1415 | 1886 | 3 | 6 | 880 | 880 | 990 | 990 | 870 | 870 | 990 | 990 |
| | 6000 | 2590 | 6513 | 6984 | 1595 | 2066 | 3 | 6 | 660 | 660 | 760 | 760 | 640 | 640 | 750 | 750 |

MAST DIMENSIONS – ERP 18UX

| Mast type | Max fork height | Overall Extended Height | | | Free Lift | | Mast Tilt | | Capacity without Shiftshift | | | | Capacity with Sideshift | | | |
|-----------|-----------------|-------------------------|-------------|----------|-----------|-------------|-----------|------|-----------------------------|-------------|--------------------|-------------|-------------------------|-------------|--------------------|-------------|
| | | Lowered height | Lift Height | | With LBR | Without LBR | F | B | Single Pneu Tyres | | Single Solid Tyres | | Single Pneu Tyres | | Single Solid Tyres | |
| | | | Without LBR | With LBR | | | | | @ 500 mm LC | @ 600 mm LC | @ 500 mm LC | @ 600 mm LC | @ 500 mm LC | @ 600 mm LC | @ 500 mm LC | @ 600 mm LC |
| (mm) | (mm) | (mm) | (mm) | (mm) | (mm) | (°) | (°) | (kg) | (kg) | (kg) | (kg) | (kg) | (kg) | (kg) | (kg) | |
| 2LFL | 3300 | 2140 | 3813 | 4284 | 135 | 135 | 5 | 10 | 1800 | 1680 | 1800 | 1680 | 1780 | 1610 | 1780 | 1610 |
| | 3500 | 2240 | 4013 | 4484 | 135 | 135 | 5 | 10 | 1800 | 1680 | 1800 | 1680 | 1770 | 1610 | 1770 | 1610 |
| | 4000 | 2540 | 4513 | 4984 | 135 | 135 | 5 | 10 | 1740 | 1640 | 1800 | 1640 | 1730 | 1580 | 1740 | 1580 |
| | 5000 | 3040 | 5513 | 5984 | 135 | 135 | 5 | 6 | 1330 | 1320 | 1590 | 1440 | 1310 | 1290 | 1520 | 1380 |
| 2FFL | 3000 | 1990 | 3513 | 3984 | 1015 | 1486 | 5 | 10 | 1800 | 1680 | 1800 | 1680 | 1790 | 1630 | 1790 | 1630 |
| | 3300 | 2140 | 3813 | 4284 | 1165 | 1636 | 5 | 10 | 1800 | 1680 | 1800 | 1680 | 1790 | 1620 | 1790 | 1620 |
| 3FFL | 4500 | 2040 | 5013 | 5484 | 1045 | 1516 | 5 | 6 | 1540 | 1540 | 1740 | 1570 | 1530 | 1500 | 1670 | 1510 |
| | 4800 | 2140 | 5313 | 5784 | 1145 | 1616 | 5 | 6 | 1340 | 1340 | 1710 | 1560 | 1340 | 1340 | 1650 | 1500 |
| | 5500 | 2405 | 6013 | 6484 | 1415 | 1886 | 3 | 6 | 970 | 970 | 1370 | 1370 | 960 | 960 | 1360 | 1350 |
| | 6000 | 2590 | 6513 | 6984 | 1595 | 2066 | 3 | 6 | 750 | 750 | 1080 | 1080 | 720 | 720 | 1080 | 1080 |

MAST DIMENSIONS – ERP 20UX

| Mast type | Max fork height | Overall Extended Height | | | Free Lift | | Mast Tilt | | Capacity without Shiftshift | | | | Capacity with Sideshift | | | |
|-----------|-----------------|-------------------------|-------------|----------|-----------|-------------|-----------|------|-----------------------------|-------------|--------------------|-------------|-------------------------|-------------|--------------------|-------------|
| | | Lowered height | Lift Height | | With LBR | Without LBR | F | B | Single Pneu Tyres | | Single Solid Tyres | | Single Pneu Tyres | | Single Solid Tyres | |
| | | | Without LBR | With LBR | | | | | @ 500 mm LC | @ 600 mm LC | @ 500 mm LC | @ 600 mm LC | @ 500 mm LC | @ 600 mm LC | @ 500 mm LC | @ 600 mm LC |
| (mm) | (mm) | (mm) | (mm) | (mm) | (mm) | (°) | (°) | (kg) | (kg) | (kg) | (kg) | (kg) | (kg) | (kg) | (kg) | |
| 2LFL | 3300 | 2180 | 3915 | 4315 | 140 | 140 | 5 | 10 | 2000 | 1850 | 2000 | 1850 | 1960 | 1780 | 1960 | 1780 |
| | 3500 | 2280 | 4115 | 4515 | 140 | 140 | 5 | 10 | 2000 | 1850 | 2000 | 1850 | 1960 | 1780 | 1960 | 1780 |
| | 4000 | 2580 | 4615 | 5015 | 140 | 140 | 5 | 10 | 2000 | 1820 | 2000 | 1820 | 1920 | 1750 | 1920 | 1750 |
| | 5000 | 3080 | 5615 | 6015 | 140 | 140 | 5 | 6 | 1620 | 1590 | 1800 | 1630 | 1590 | 1560 | 1720 | 1570 |
| 2FFL | 3000 | 2030 | 3615 | 4015 | 985 | 1385 | 5 | 10 | 2000 | 1820 | 2000 | 1820 | 1940 | 1760 | 1940 | 1760 |
| | 3300 | 2180 | 3915 | 4315 | 1135 | 1535 | 5 | 10 | 2000 | 1810 | 2000 | 1810 | 1940 | 1750 | 1940 | 1750 |
| 3FFL | 4500 | 2090 | 5115 | 5515 | 1040 | 1440 | 5 | 6 | 1840 | 1770 | 1910 | 1770 | 1840 | 1700 | 1870 | 1700 |
| | 4800 | 2190 | 5415 | 5815 | 1140 | 1540 | 5 | 6 | 1610 | 1610 | 1860 | 1710 | 1610 | 1610 | 1810 | 1650 |
| | 5500 | 2455 | 6115 | 6515 | 1400 | 1800 | 3 | 6 | 1150 | 1150 | 1480 | 1480 | 1140 | 1140 | 1480 | 1480 |
| | 6000 | 2640 | 6615 | 7015 | 1590 | 1990 | 3 | 6 | 880 | 880 | 1150 | 1150 | 860 | 860 | 1140 | 1140 |

MAST DIMENSIONS – ERP 25UX

| Mast type | Max fork height | Overall Extended Height | | | Free Lift | | Mast Tilt | | Capacity without Shiftshift | | | | Capacity with Sideshift | | | |
|-----------|-----------------|-------------------------|-------------|----------|-----------|-------------|-----------|------|-----------------------------|-------------|--------------------|-------------|-------------------------|-------------|--------------------|-------------|
| | | Lowered height | Lift Height | | With LBR | Without LBR | F | B | Single Pneu Tyres | | Single Solid Tyres | | Single Pneu Tyres | | Single Solid Tyres | |
| | | | Without LBR | With LBR | | | | | @ 500 mm LC | @ 600 mm LC | @ 500 mm LC | @ 600 mm LC | @ 500 mm LC | @ 600 mm LC | @ 500 mm LC | @ 600 mm LC |
| (mm) | (mm) | (mm) | (mm) | (mm) | (mm) | (°) | (°) | (kg) | (kg) | (kg) | (kg) | (kg) | (kg) | (kg) | (kg) | |
| 2LFL | 3300 | 2180 | 3915 | 4315 | 140 | 140 | 5 | 10 | 2500 | 2330 | 2500 | 2330 | 2470 | 2250 | 2470 | 2250 |
| | 3500 | 2280 | 4115 | 4515 | 140 | 140 | 5 | 10 | 2500 | 2330 | 2500 | 2330 | 2470 | 2240 | 2470 | 2240 |
| | 4000 | 2580 | 4615 | 5015 | 140 | 140 | 5 | 10 | 2380 | 2300 | 2500 | 2300 | 2350 | 2210 | 2430 | 2210 |
| | 5000 | 3080 | 5615 | 6015 | 140 | 140 | 5 | 6 | 1760 | 1720 | 2290 | 2080 | 1740 | 1700 | 2200 | 2000 |
| 2FFL | 3000 | 2030 | 3615 | 4015 | 985 | 1385 | 5 | 10 | 2500 | 2290 | 2500 | 2290 | 2450 | 2220 | 2450 | 2220 |
| | 3300 | 2180 | 3915 | 4315 | 1135 | 1535 | 5 | 10 | 2500 | 2290 | 2500 | 2290 | 2450 | 2210 | 2450 | 2210 |
| 3FFL | 4500 | 2090 | 5115 | 5515 | 1040 | 1440 | 5 | 6 | 2040 | 2040 | 2400 | 2220 | 2040 | 2040 | 2350 | 2140 |
| | 4800 | 2190 | 5415 | 5815 | 1140 | 1540 | 5 | 6 | 1790 | 1790 | 2290 | 2150 | 1790 | 1790 | 2280 | 2080 |
| | 5500 | 2455 | 6115 | 6515 | 1400 | 1800 | 3 | 6 | 1270 | 1270 | 1630 | 1630 | 1260 | 1260 | 1640 | 1640 |
| | 6000 | 2640 | 6615 | 7015 | 1590 | 1990 | 3 | 6 | 960 | 960 | 1230 | 1230 | 950 | 950 | 1230 | 1230 |

All values are nominal values and they are subject to tolerances.

MAST DIMENSIONS – ERP 30UX

| Mast type | Max fork height | Overall Extended Height | | | | Free Lift | | Mast Tilt | | Capacity without Shiftshift | | | | Capacity with Sideshift | | | |
|-----------|-----------------|-------------------------|-------------|----------|----------|-------------|-----|-----------|-------------------|-----------------------------|--------------------|-------------|-------------------|-------------------------|--------------------|-------------|--|
| | | Lowered height | Lift Height | | With LBR | Without LBR | F | B | Single Pneu Tyres | | Single Solid Tyres | | Single Pneu Tyres | | Single Solid Tyres | | |
| | | | Without LBR | With LBR | | | | | @ 500 mm LC | @ 600 mm LC | @ 500 mm LC | @ 600 mm LC | @ 500 mm LC | @ 600 mm LC | @ 500 mm LC | @ 600 mm LC | |
| (mm) | (mm) | (mm) | (mm) | (mm) | (mm) | (mm) | (°) | (°) | (kg) | (kg) | (kg) | (kg) | (kg) | (kg) | (kg) | (kg) | |
| 2LFL | 3300 | 2195 | 3970 | 4440 | 165 | 165 | 5 | 10 | 3000 | 2750 | 3000 | 2750 | 2930 | 2670 | 2930 | 2670 | |
| | 3500 | 2295 | 4170 | 4640 | 165 | 165 | 5 | 10 | 3000 | 2740 | 3000 | 2740 | 2920 | 2660 | 2920 | 2660 | |
| | 4000 | 2595 | 4670 | 5140 | 165 | 165 | 5 | 10 | 2960 | 2690 | 2960 | 2690 | 2870 | 2610 | 2870 | 2610 | |
| | 5000 | 3095 | 5670 | 6140 | 165 | 165 | 5 | 6 | 2300 | 2290 | 2710 | 2470 | 2290 | 2280 | 2630 | 2390 | |
| 2FFL | 3000 | 2045 | 3685 | 4140 | 935 | 1390 | 5 | 10 | 3000 | 2740 | 3000 | 2740 | 2960 | 2690 | 2960 | 2690 | |
| | 3300 | 2195 | 3985 | 4440 | 1085 | 1540 | 5 | 10 | 3000 | 2730 | 3000 | 2730 | 2950 | 2680 | 2950 | 2680 | |
| 3FFL | 4500 | 2095 | 5225 | 5640 | 975 | 1390 | 5 | 6 | 2850 | 2660 | 2860 | 2670 | 2840 | 2580 | 2850 | 2590 | |
| | 4800 | 2195 | 5525 | 5940 | 1075 | 1490 | 5 | 6 | 2480 | 2480 | 2800 | 2610 | 2480 | 2480 | 2780 | 2530 | |
| | 5500 | 2460 | 6225 | 6640 | 1330 | 1745 | 3 | 6 | 1750 | 1750 | 2180 | 2180 | 1740 | 1740 | 2190 | 2190 | |
| | 6000 | 2645 | 6725 | 7140 | 1525 | 1940 | 3 | 6 | 1290 | 1290 | 1590 | 1590 | 1280 | 1280 | 1590 | 1590 | |

MAST DIMENSIONS – ERP 35UX

| Mast type | Max fork height | Overall Extended Height | | | | Free Lift | | Mast Tilt | | Capacity without Shiftshift | | Capacity with Sideshift | |
|-----------|-----------------|-------------------------|-------------|----------|----------|-------------|-----|-----------|--------------------|-----------------------------|--------------------|-------------------------|--|
| | | Lowered height | Lift Height | | With LBR | Without LBR | F | B | Single Solid Tyres | | Single Solid Tyres | | |
| | | | Without LBR | With LBR | | | | | @ 500 mm LC | @ 600 mm LC | @ 500 mm LC | @ 600 mm LC | |
| (mm) | (mm) | (mm) | (mm) | (mm) | (mm) | (mm) | (°) | (°) | (kg) | (kg) | (kg) | (kg) | |
| 2LFL | 3300 | 2270 | 4040 | 4440 | 170 | 170 | 5 | 10 | 3500 | 3230 | 3440 | 3140 | |
| | 3500 | 2370 | 4240 | 4640 | 170 | 170 | 5 | 10 | 3500 | 3220 | 3340 | 3040 | |
| | 4000 | 2670 | 4740 | 5140 | 170 | 170 | 5 | 6 | 3360 | 3070 | 3270 | 2990 | |
| | 5000 | 3170 | 5740 | 6140 | 170 | 170 | 5 | 6 | 3180 | 2890 | 3080 | 2810 | |
| 2FFL | 3000 | 2120 | 3725 | 4140 | 1000 | 1415 | 5 | 10 | 3500 | 3200 | 3420 | 3100 | |
| | 3300 | 2270 | 4025 | 4440 | 1150 | 1565 | 5 | 10 | 3500 | 3190 | 3410 | 3100 | |
| 3FFL | 4500 | 2170 | 5310 | 5640 | 1050 | 1380 | 5 | 6 | 3200 | 2920 | 3110 | 2840 | |
| | 4800 | 2270 | 5610 | 5940 | 1150 | 1480 | 5 | 6 | 3110 | 2830 | 3020 | 2760 | |
| | 5500 | 2535 | 6310 | 6640 | 1405 | 1735 | 3 | 6 | 2270 | 2270 | 2270 | 2270 | |
| | 6000 | 2720 | 6810 | 7140 | 1600 | 1930 | 3 | 6 | 1690 | 1690 | 1690 | 1690 | |

FEATURES LIST – UX SERIES

| | STD | OPT | | STD | OPT |
|---|-----|-----|--|-----|-----|
| 1.5 - 1.8t Hoist Motors (8kW Drive and 8.6kW) | ● | | Steering Wheel with Spinning Knob | ● | |
| 2.0 - 2.5t Hoist Motors (48V AC Technology: 11kW Drive and 8.6kW) | ● | | Tilt Adjustable Steering Column | ● | |
| 3.0 - 3.5t Hoist Motors (80V AC Technology: 15kW Drive and 10kW) | ● | | Partial and full cab with/without heater | | ● |
| Mast (2-stage LFL 3300mm) | ● | | Key Switch Start | ● | |
| Mast (2-stage LFL and 3-stage FFL Masts) | | ● | Entry Grab Handle | ● | |
| Carriage (1040mm Class II or 1100mm Class II or III) | ● | | Rear/reversing handle | | ● |
| Carriages: 1200, 1500mm (Class II - III) | | ● | Dash Display (Battery level, Speed, LCD Hour Meter) | ● | |
| Forks (1070 x 122 x 40mm Class II or 1070 x 122 x 45 / 50mm Class III) | ● | | Mirrors | ● | |
| Forks: 1220mm (Class II - III) | | ● | Load Backrest | ● | |
| Integral Sideshift | | ● | Strobe Light (magnetically mounted) | ● | |
| Superelastic Tyres: Drive – 6.00-9 (1.5t), 21x8-9 (1.8t), 23x9-10 (2.0-3.0t), 23x10-12 (3.5t) | ● | | LED Light Kit - 2 x Front Work, 2 x Front Turn, Rear Turn / Tail / Brake / Reverse | ● | |
| Superelastic Tyres: Steer – 5.00-8 (1.5t-1.8t), 18x7-8 (2.0-3.0t), 200/50-10 (3.5t) | | | Rear Work Light | | ● |
| Pneumatic drive and steer tyres | | ● | Audible Reverse Alarm | ● | |
| Dual Drive Wheels and Fender Extensions | | ● | Toolbox | ● | |
| Two Function Cowl Mounted Manual Lever – Lift / Tilt | ● | | Towing Pin | ● | |
| Forward / Reverse Directional Lever | ● | | Operator Manual | ● | |
| Manual Park Brake | ● | | 12 Months / 2000 Hours Manufacturer's Warranty | ● | |
| Full Suspension Seat (EU) | ● | | USB port | ● | |
| Full Suspension Seat (MEA) | | ● | | | |
| Non-Suspension Seat (Vinyl) (MEA) | ● | | | | |

All values are nominal values and they are subject to tolerances.



About Yale®

Yale Lift Truck Technologies leverages over a century of material handling experience and substantial investment in innovation to bring the most advanced technology-driven lift truck solutions to market. The company offers a full line of award-winning lift trucks, including reach trucks, order pickers, turret trucks, pallet jacks and trucks, pallet stackers, tow tractors and counterbalanced forklifts, as well as powerful operator assist solutions, proven robotics and a wide range of power sources to help customers adapt to today's demanding supply chain. Yale and its independent dealer network support these solutions with comprehensive after-sales service, parts, financing and training.

Yale Lift Truck Technologies is a trading name of Hyster-Yale Asia-Pacific Pty Ltd., a wholly owned subsidiary of Hyster-Yale Materials Handling, Inc.(NYSE:HY) which is headquartered in Cleveland, Ohio and operates globally.

MATERIALS HANDLING FOR:

Third-party logistics (3PL)

Auto parts distribution

Beverage

Cold & frozen foods

Food distribution

Food processing

Furniture & furnishings

Government

Health & pharma


Home centers

Retail & e-commerce

Yale Lift Truck Technologies | Pacific
1/23 Rowood Road
Prospect NSW 2148

Yale Lift Truck Technologies | Asia
16 Tuas Avenue 20
Singapore 638827

yale.com

© 2023 Hyster-Yale Group, Inc., all rights reserved. YALE and  are trademarks of Hyster-Yale Group, Inc. Trucks may be shown with optional equipment and/or features not available in all regions. Specifications and details in this brochure are subject to change without prior notification.